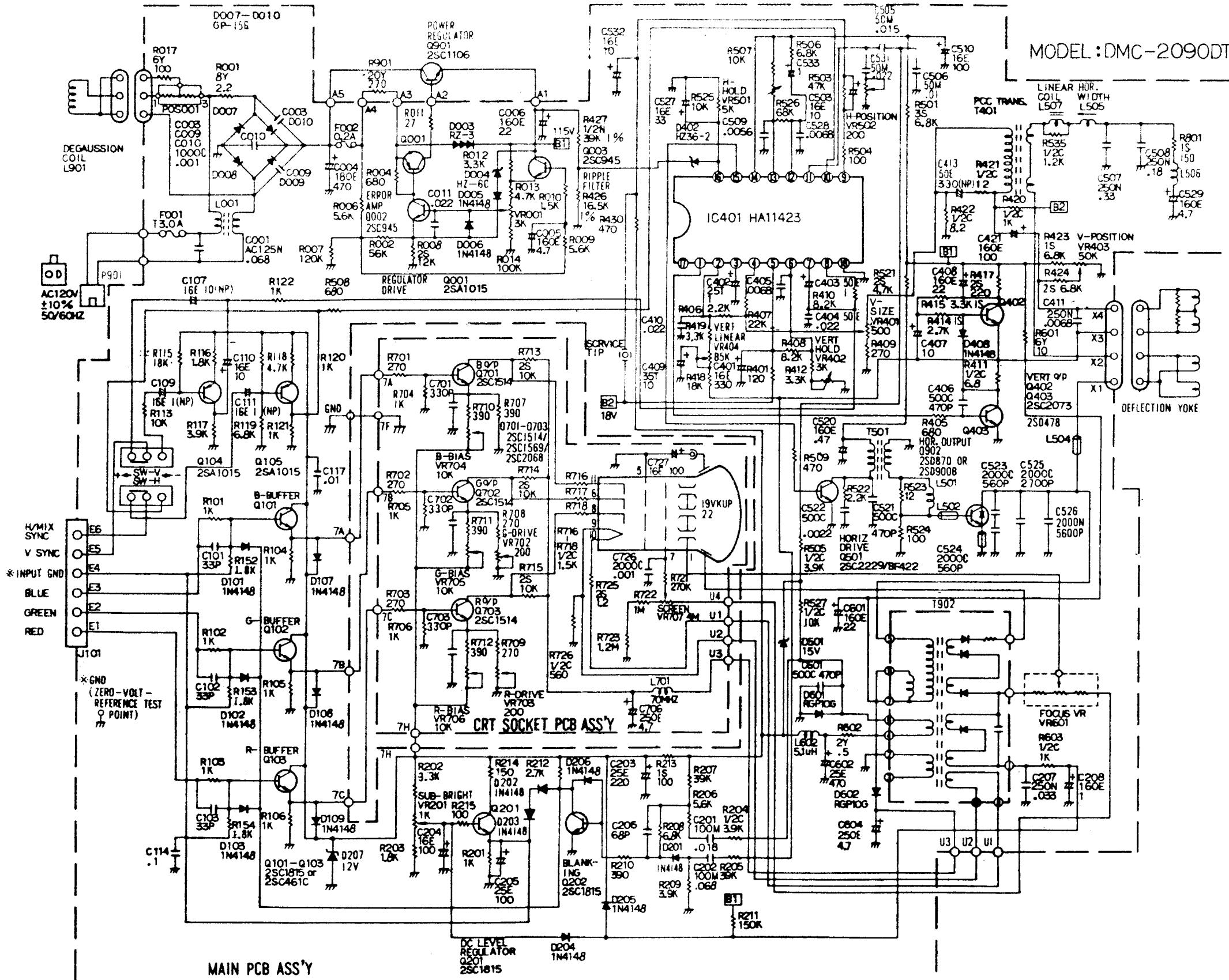


MODEL: DMC-2090DT-2A



**PRODUCT SAFETY NOTICE**  
 The shaded areas of this schematic designates components whose value are of special significance to product safety. Should any component in the shaded area need to be replaced, use only the value part designated in the Parts List. Do not deviate from the resistance wattage and voltage values shown.

1. TRANSISTOR BASE INFORMATION.

	2SC1569		2SC1106
	2SD478		2SD869
	2SC2073		2SD870
			2SD898B
			2SD900B

2. RESISTOR, CAPACITOR INFORMATION.

	2SC945		2SC1514
	2SA1015		2SC2068
	2SC461		
	2SC1815		
	2SC2229		

3. THIS BEING A FUNDAMENTAL SCHEMATIC THERE WILL BE SOME CASES THAT THE REAL CIRCUIT DOES NOT COINCIDE WITH THIS.

**RESISTOR TYPE**  
 D: FIXED CARBON FILM RESISTOR.  
 S: FIXED METAL OXIDE FILM RESISTOR.  
 N: FIXED METAL FILM RESISTOR.  
 Y: FIXED WIRE WOUND FIXED RESISTOR.  
 C: FIXED CARBON COMPOSITION RESISTOR.

**CAPACITOR TYPE**  
 C: FIXED CERAMIC CAPACITOR.  
 E: ALUMINUM ELECTROLYTIC CAPACITOR.  
 M: POLYESTER FILM CAPACITOR.  
 N: POLYPROPYLENE FILM CAPACITOR.  
 T: TANTALUM CAPACITOR.  
 (N) NON-POLAR ALUMINUM ELECTROLYTIC CAPACITOR.

MAIN PCB ASS'Y

\*NOTE: 1. THE "INPUT GND" (E4) IS NOT AT THE SAME POTENTIAL AS THE GROUND OF MONITOR. WHEN MAKE MEASUREMENT AND TEST, TAKE GND TEST POINT AS GROUND (ZERO-VOLT-REFERENCE).  
 2. THE FRAME, CHASSIS AND CRT COATING ARE AT THE SAME POTENTIAL AS "INPUT GND" (E4).