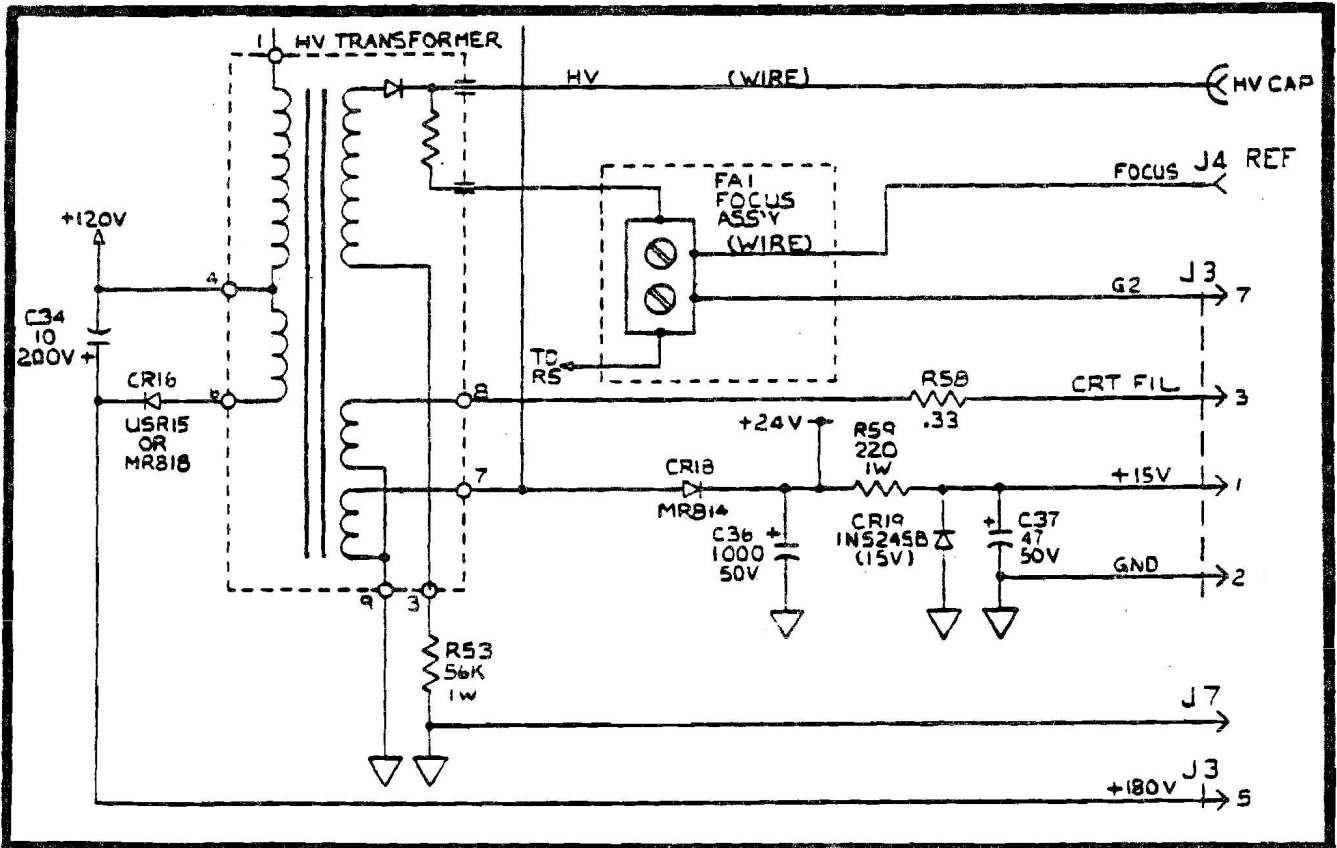


# Supplement to the Atari 19-Inch Color Raster Display Service Manual



**(TM-199, 2nd printing)**

This supplement contains changes and additions to the 19-Inch Color Raster Display Service Manual (TM-199, 2nd printing) that affect the Deflection PCB Assembly (Atari part number A201022-01, revisions A and C).



A Warner Communications Company