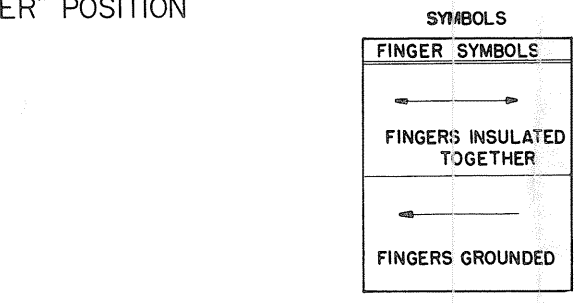


NOTE: SCHEMATIC DRAWN IN "GAME OVER" POSITION

COIL NAME	COIL NO.	LOCATION
BLOWN ENGINE RE.	K-2B-1200	A-19
CLUTCH RE.	K-2B-1200	A-8
COIN RE.	K-2B-1200	A-1
CREDIT UNIT RESET COIL	K-2B-850	A-3
CREDIT UNIT STEP-UP	K-2B-1200	A-8
ENGINE-ON RE.	K-2B-1200	B-16
EXTENDED PLAY LITE RE.	K-2B-1200	A-5
EXTENDED PLAY RE.	K-2B-1200	A-5
EXPLOSION RE.	K-2B-1200	A-10
GAME OVER RE.	K-2B-1200	A-11
GAME RESET RE.	K-2B-1200	A-2
GAME START RE.	K-2B-1200	A-6
GEAR CONTROL UNIT RESET COIL	H-26-650	A-2
GEAR CONTROL UNIT S.D. COIL	J-20-950	B-17
PENALTY RE.	K-2B-1200	A-10
ROAD LITE MOTOR RE.	K-2B-1200	B-16
SCORE RE.	D-2B-1100	B-18
SHIFT CONTROL RE.	K-2B-1200	A-12
START ENGINE RE.	K-2B-1200	A-13
STARTING LINE LITES RE.	K-2B-1200	A-9
TACHOMETER ADVANCE RE.	K-2B-1200	B-13
TACHOMETER SPEED CONTROL RE.	K-2B-1200	A-17
TACHOMETER ZERO POS. RE.	K-2B-1200	A-4
10-90 DRUM UNIT	MA-28-1100	H-1
100-900 DRUM UNIT	MA-28-1100	H-2
100-900 DRUM UNIT	MA-28-1100	H-4

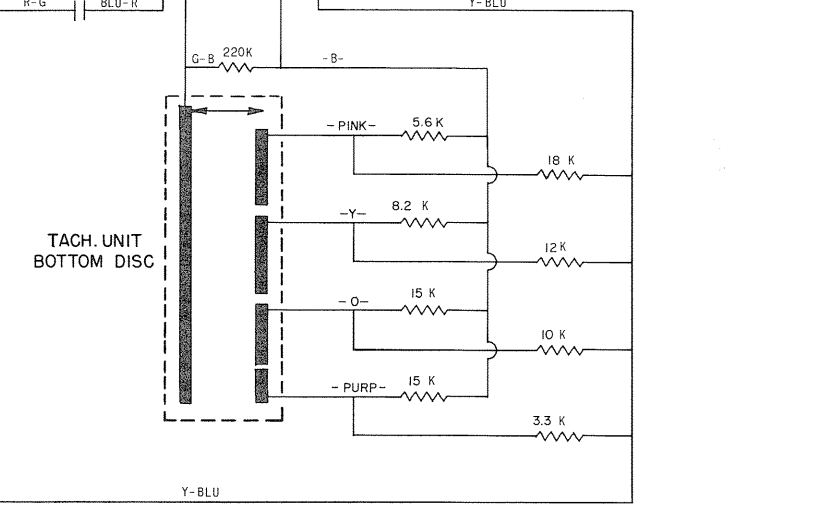
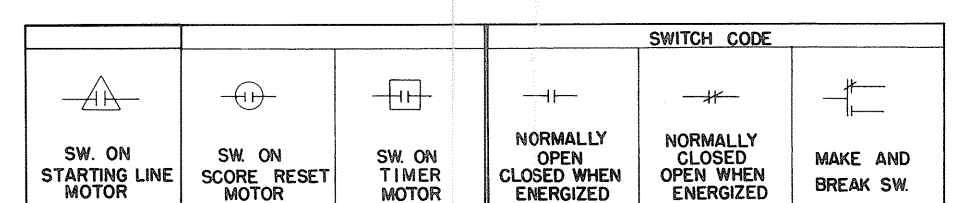


WIRE COLOR CODE	WIRE COLOR CODE
B-BLACK	W-WHITE
G-GREEN	R-RED
BLU-BLUE	MAR-MAROON
BRN-BROWN	O-ORANGE
GREY-GREY	P-PLASTIC
	Y-YELLOW
	J-JUMPER

EXAMPLE: R-W INDICATES A RED WIRE WITH A WHITE TRACER

NOTE: WIRE COLORS SUBJECT TO CHANGE

MOTORS	MOTOR NO.	LOCATION
CAR MOTOR	#5750-2305	C-15
GAME RESET MOTOR	#5750-2267	H-5
ROAD DRUM MOTOR	#5750-2267	C-13
STARTING LINE UNIT MOTOR	#5750-2305	H-8
TACHOMETER UNIT MOTOR	#5750-2264	H-12
TIMER MOTOR	#5750-2162	H-4



MFD. BY **Chicago Coin Machine**
DIVISION OF
Chicago Dynamic Industries, Inc.
1725 W. UNIVERSITY BLVD. CHICAGO 14, ILLINOIS

MODEL 438-1 SPEED SHIFT