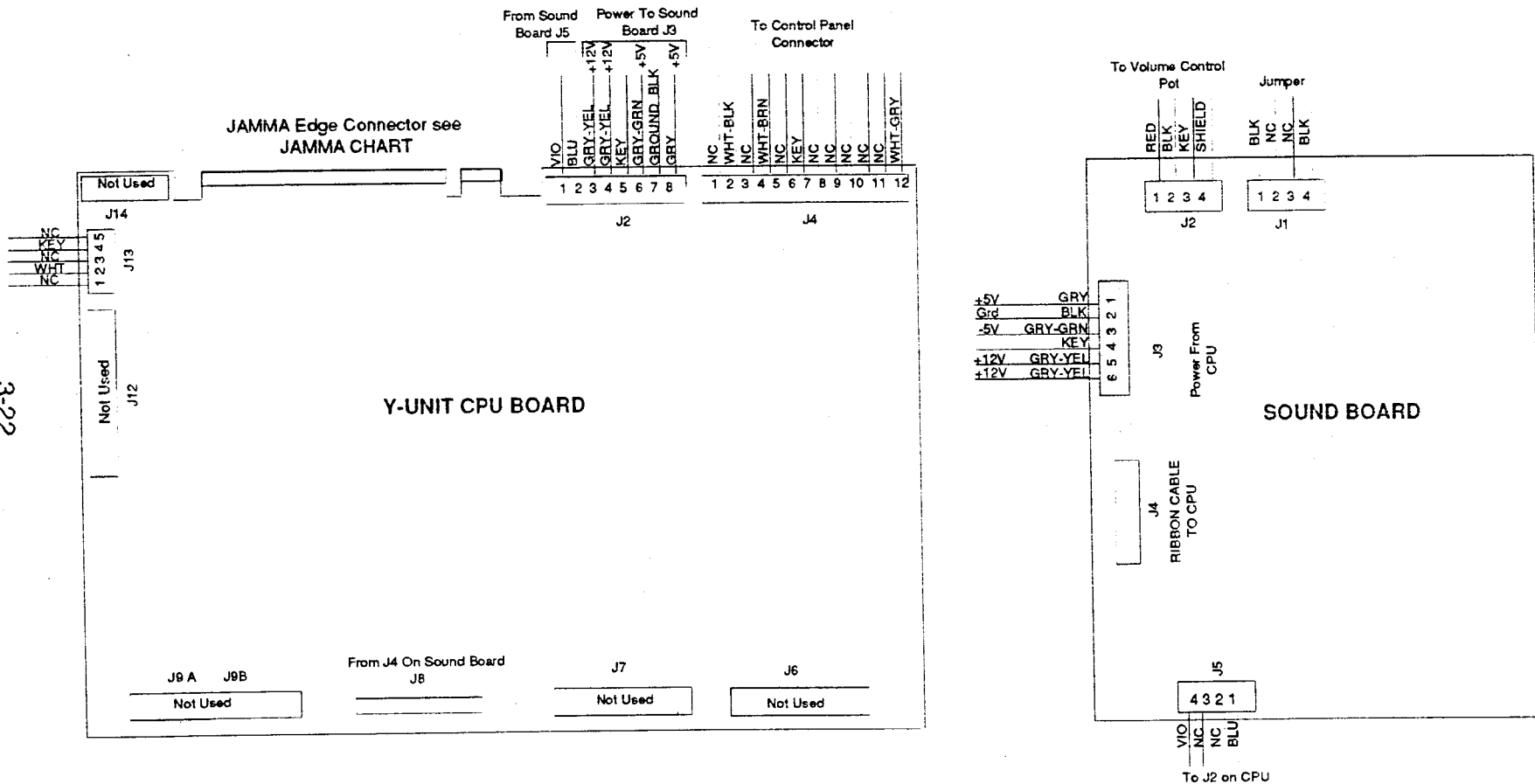
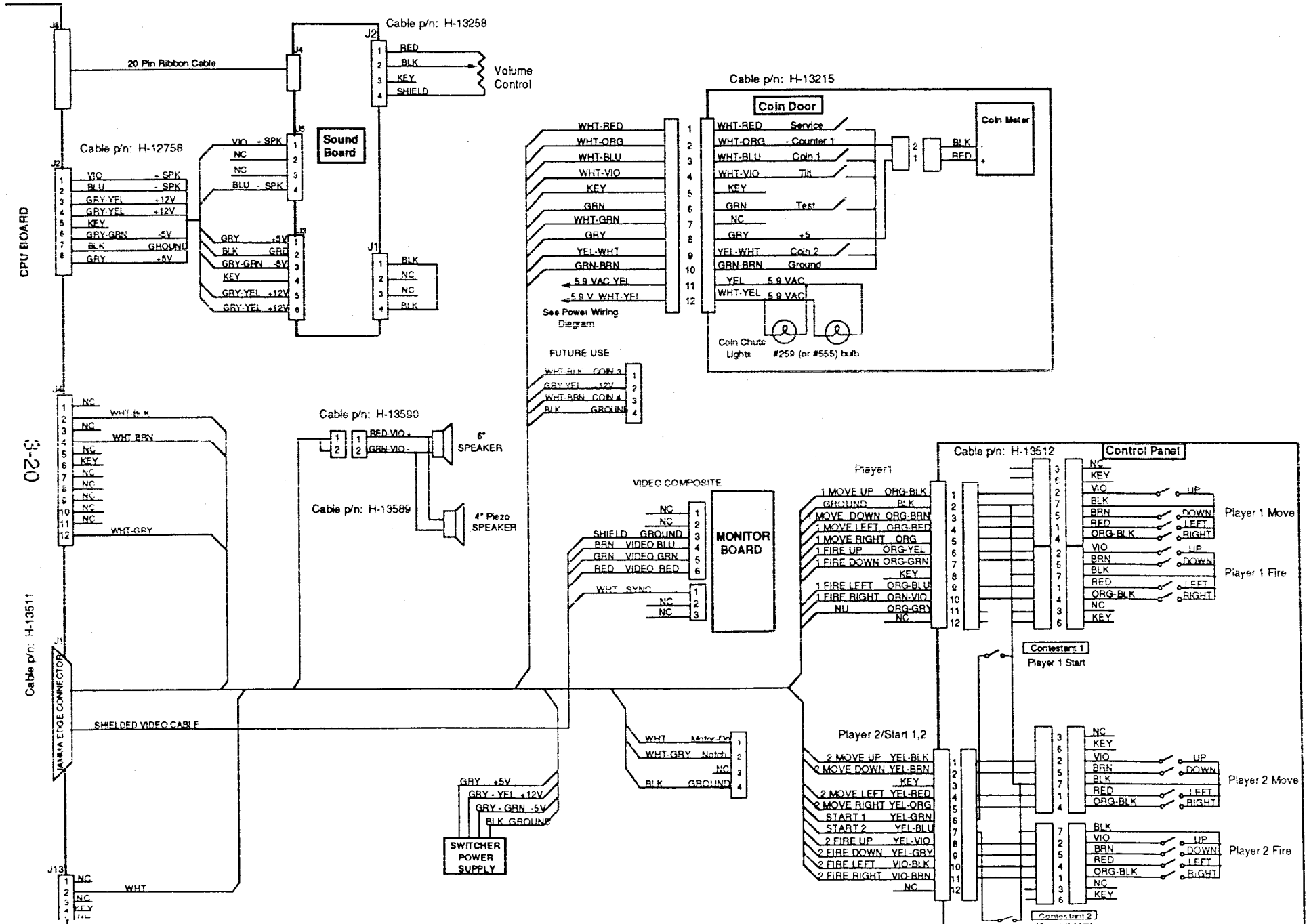


# SMASH TV INTERBOARD WIRING

3-22



# SMASH TV CABINET WIRING ( 25 ")



# AUDIO SCHEMATIC

p/n 16-9084

