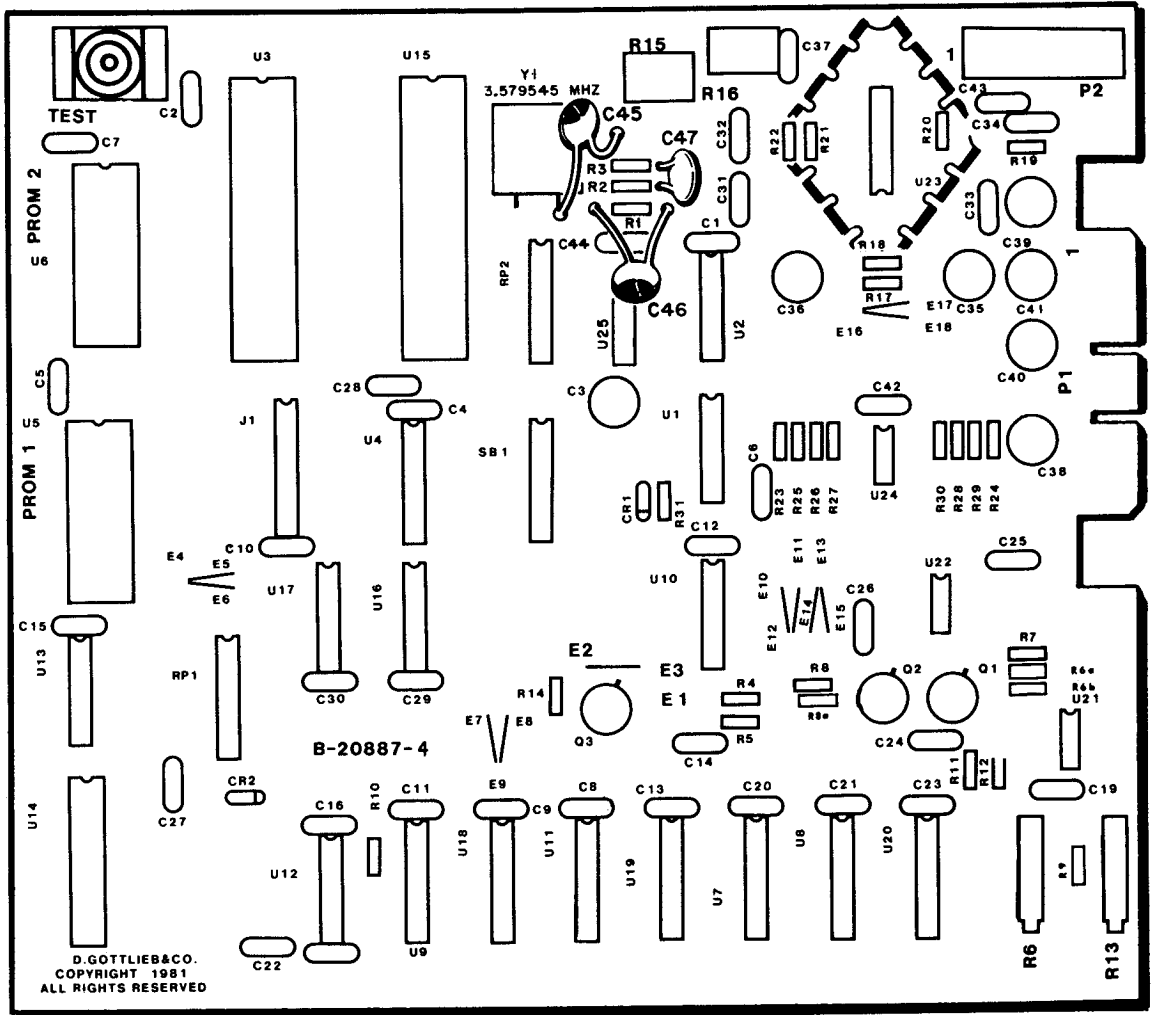


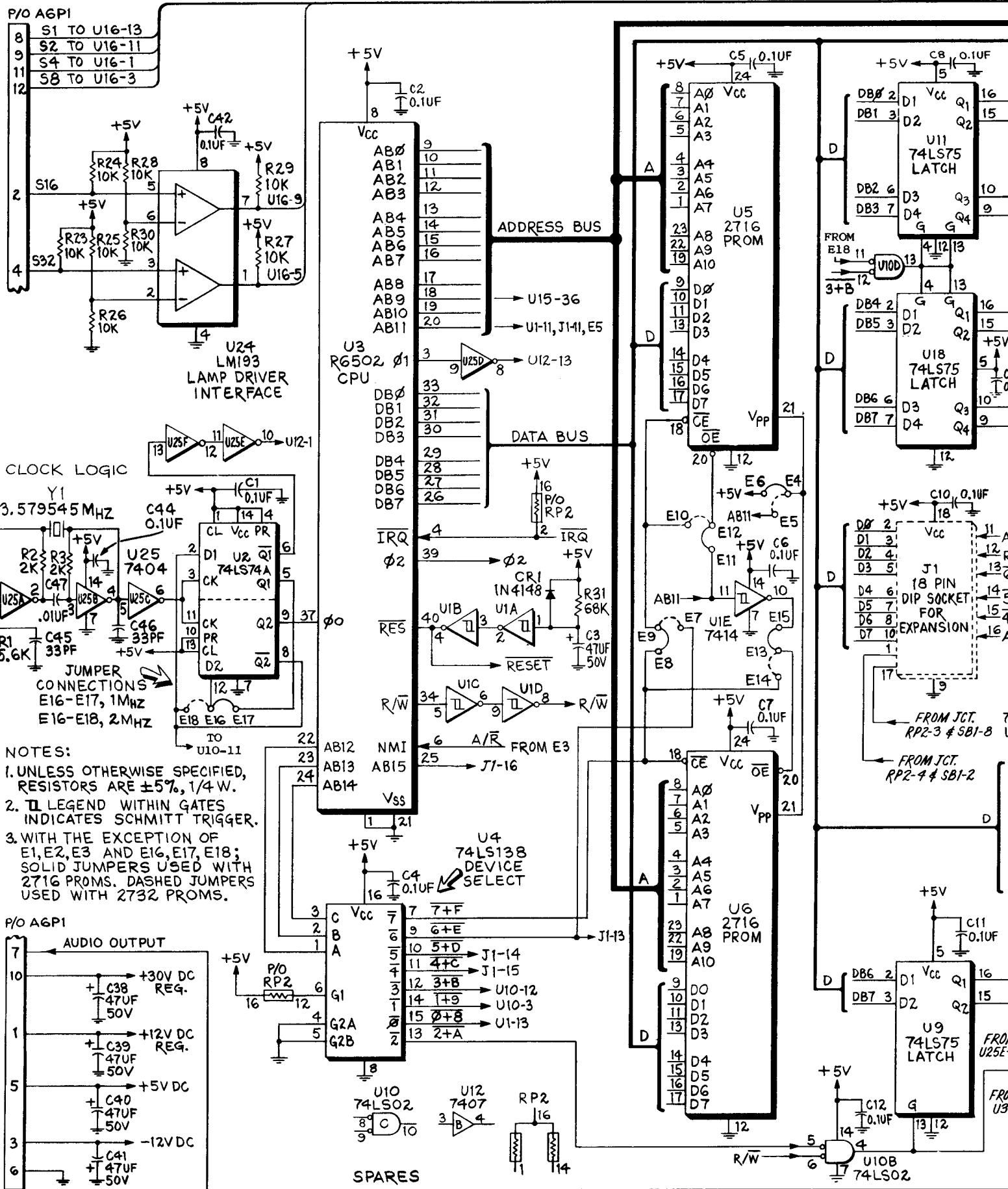
X. WIRING AND SCHEMATIC DIAGRAMS, PARTS LISTS

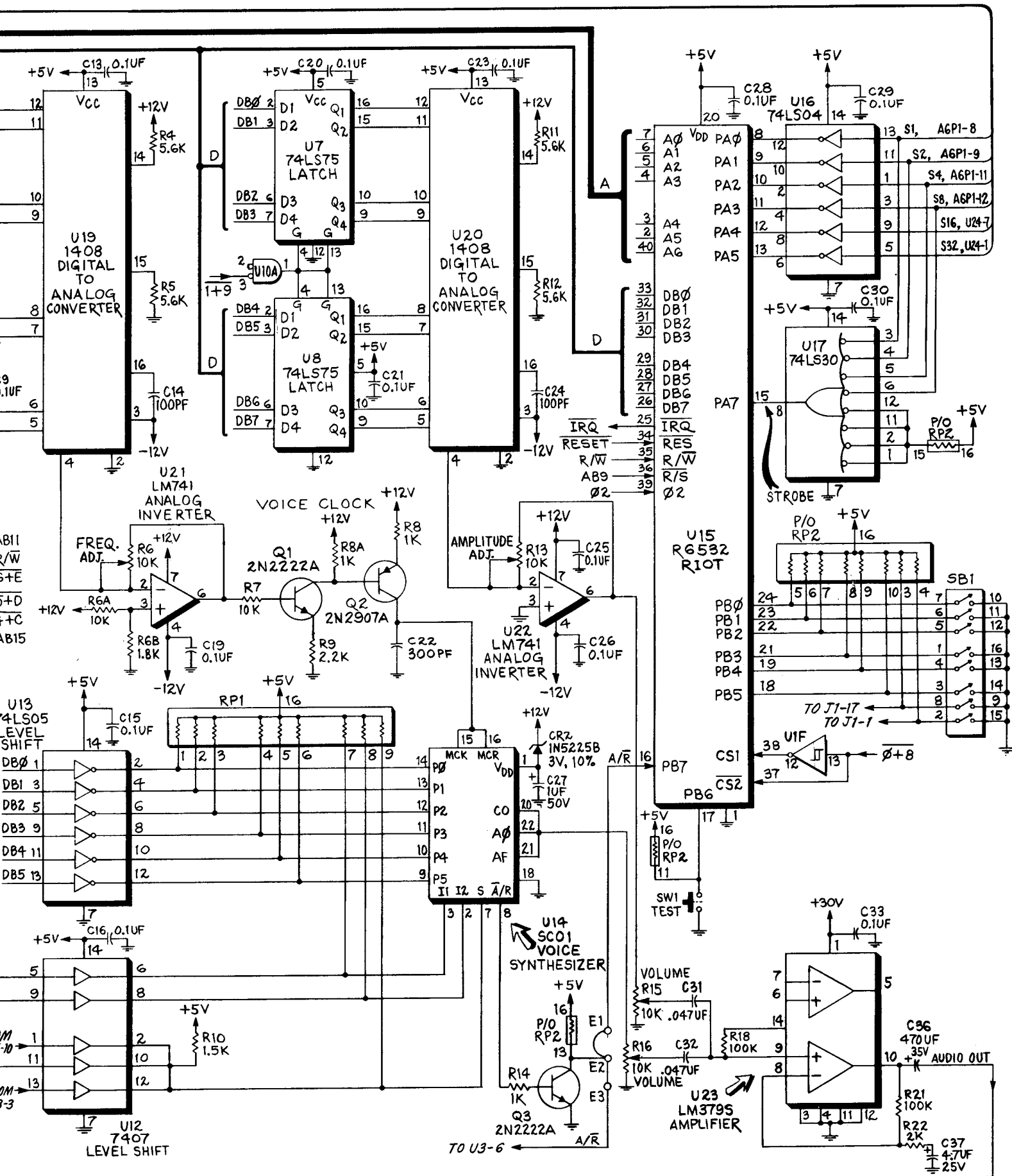
SOUND/SPEECH ASSY. (A6), COMPONENT LOCATION



SOUND/SPEECH ASSY. (A6), PARTS LIST

REFERENCE	DESCRIPTION	PART NUMBER	REFERENCE	DESCRIPTION	PART NUMBER
	Sound/Speech Assembly	MA-216	R 15, R 16	Potentiometer, 10K ohm	XO-109
C 1, C 2	Capacitor, 0.1UF, 25V	XO-248	R 18, R 21	Resistor, 100K ohm, 5%, 1/4W	XO-45
C 4, C 13			R 22	Resistor, 2K ohm, 5%, 1/4W	XO-14
C 15, C 16, C 19			R 31	Resistor, 68K ohm, 5%, 1/4W	XO-189
C 20, C 21, C 23			RP 1, RP 2	Resistor, Dip	XO-168
C 25, C 26			SB 1	Switch, Dip	XO-505
C 28-C 30, C 33			SW 1	Switch, Momentary Pushbutton	XO-515
C 42, C 44			U 1	IC, 74 14	XO-397
C 31-C 32	Capacitor, .047UF, 25V	XO-222	U 2	IC, SN74LS74N	XO-434
C 37	Capacitor, 4.7UF, 35V	XO-291	U 3	CPU, R6502-13	XO-360
C 3, C 38-C 41	Capacitor, 47UF, 50V	XO-210	U 4	IC, SN74LS138N	XO-437
C 14, C 24	Capacitor, 100PF	XO-223	U 5, U 6	EPROM, 2716	PR-53
C 22	Capacitor, 300PF	XO-283	U 7-U 9, U 11, U 18	IC, SN74LS75	XO-394
C 27	Capacitor, 1UF, 50V	XO-217	U 10	IC, SN74LS02N	XO-428
C 36	Capacitor, 470UF, 35V	XO-284	U 12	IC, SN7407N	XO-384
C 45, C 46	Capacitor, 33PF	XO-277	U 13	IC, Inverter, SN74LS05N	XO-411
C 47	Capacitor, .01 UF, 100V	XO-202	U 14	Voice Chip, SC01	XO468
CR 1	Diode, 1N4148	XO-261	U 15	RRIOT, R6532-18	XO-361
CR 2	Diode, Zener, 1N5225B	XO-269	U 16	IC, SN74LS04N	XO-418
Q 1, Q 3	Transistor, NPN, 2N2222A	XO-320	U 17	IC, SN74LS30N	XO-432
Q 2	Transistor, PNP, 2N2907A	XO-321	U 19, 20	Converter, PMI, 1408A-6P	XO-416
R 1, R 4, R 5	Resistor, 5.6K ohm, 5%, 1/4W	XO-19	U 21, U 22	IC, LM741CP	XO-393
R 11, R 12			U 23	IC, LM379S	XO-395
R 2, R 3	Resistor, 2K ohm, 5%, 1/4W	XO-14	U 24	IC, Dual Comparitor, LM193	XO-396
R 6, R 13	Potentiometer, 10K	XO-108	U 25	Inverter, 7404	XO-402
R 6A, R 7, R 23-R 30	Resistor, 10K ohm, 5%, 1/4W	XO-18	Y 1	Crystal, 3.579545MHZ	XO-456
R 8, R 8A, R 14	Resistor, 1K ohm, 5%, 1/4W	XO-5		Socket 22 Pin Dip	XO-467
R 6B	Resistor, 1.8K ohm, 5%, 1/4W	XO-37		Socket 24 Pin (2)	XO-529
R 9	Resistor, 2.2K ohm, 5%, 1/4W	XO-27		Socket 40 Pin (2)	XO-530
R 10	Resistor, 1.5K ohm, 5%, 1/4W	XO-20			





SOUND/SPEECH ASSY. (A6), SCHEMATIC DIAGRAM