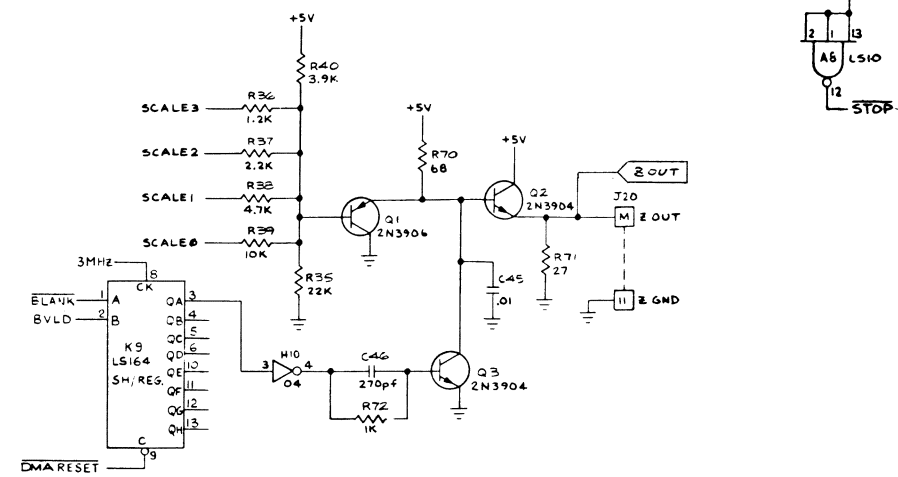
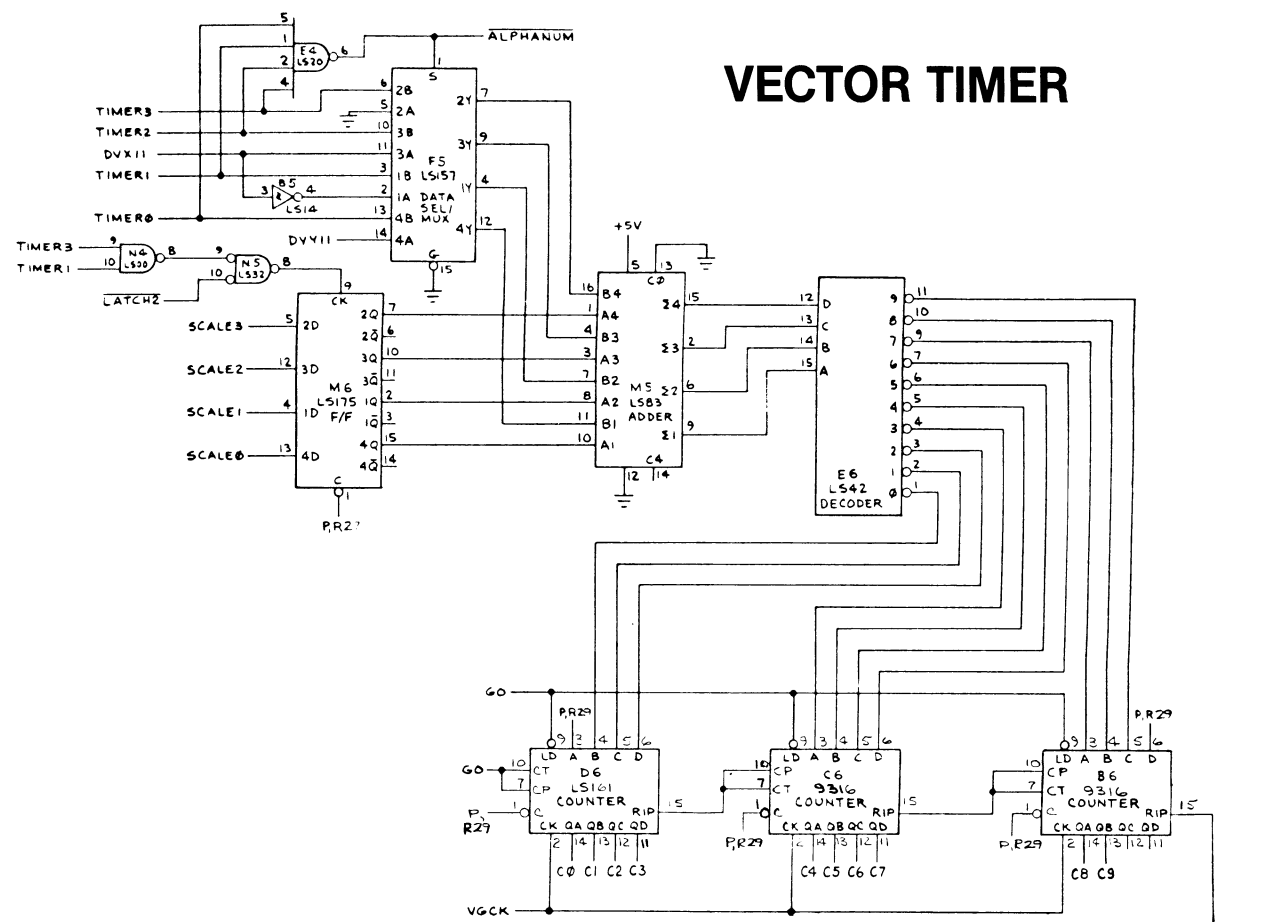
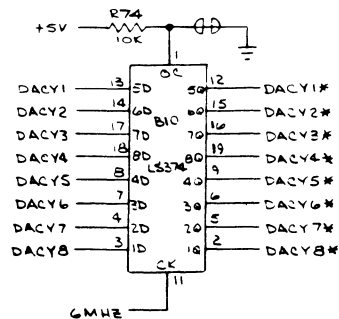
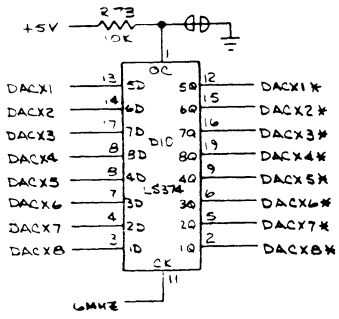
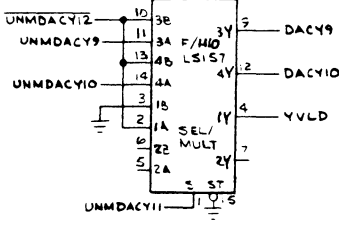
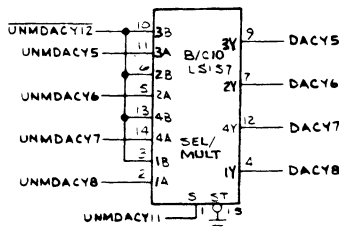
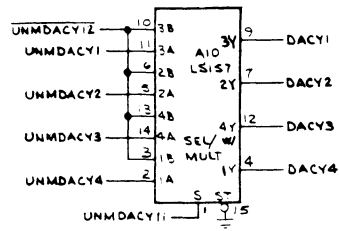
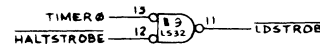
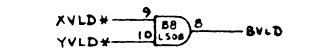
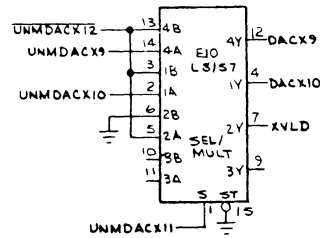
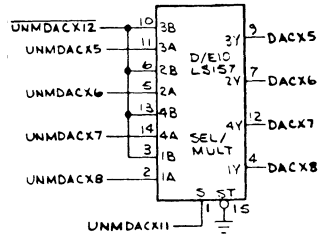
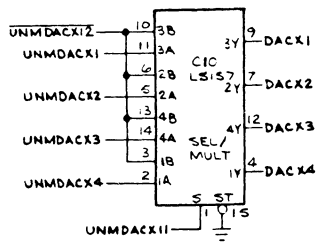
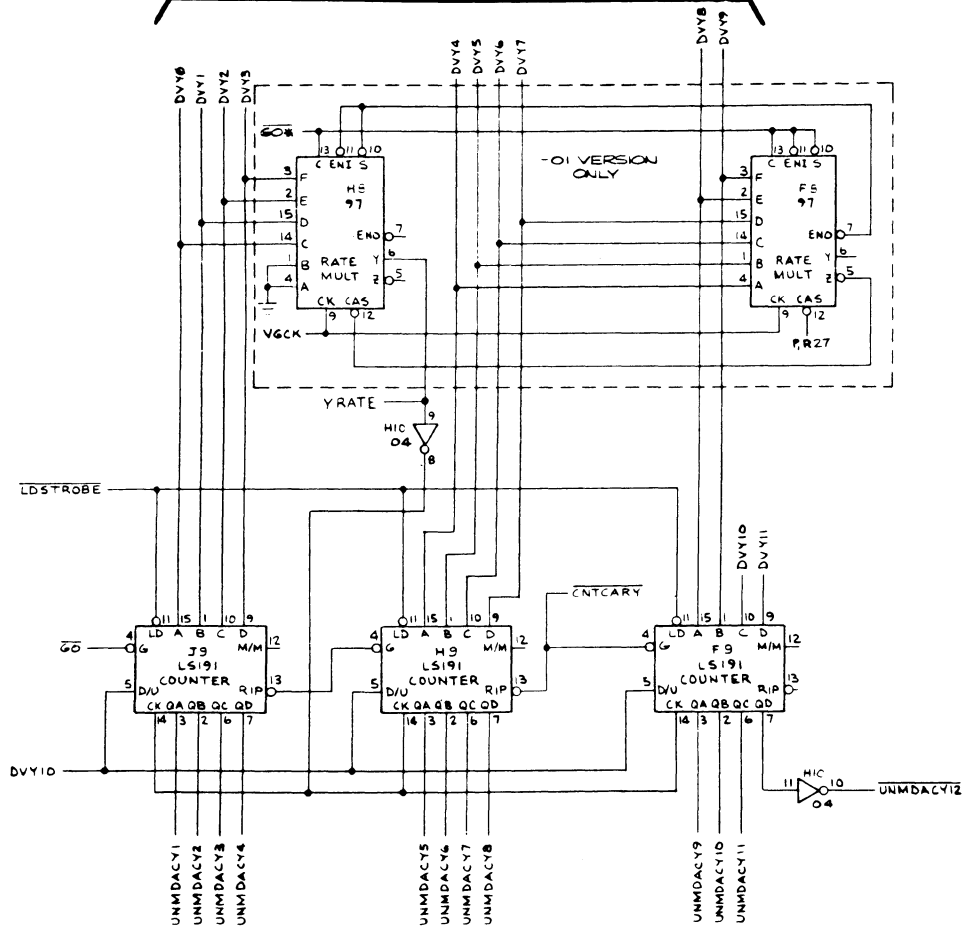
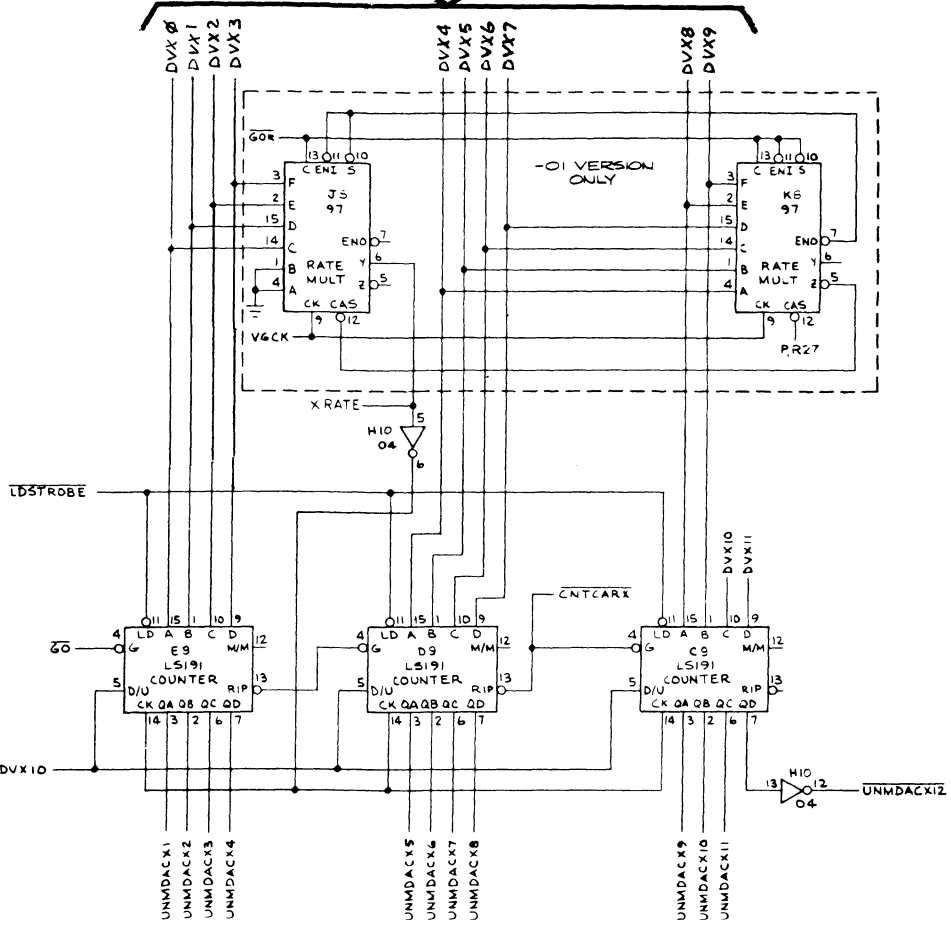
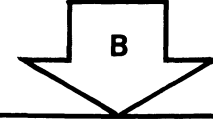
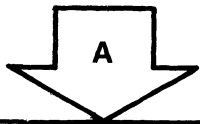
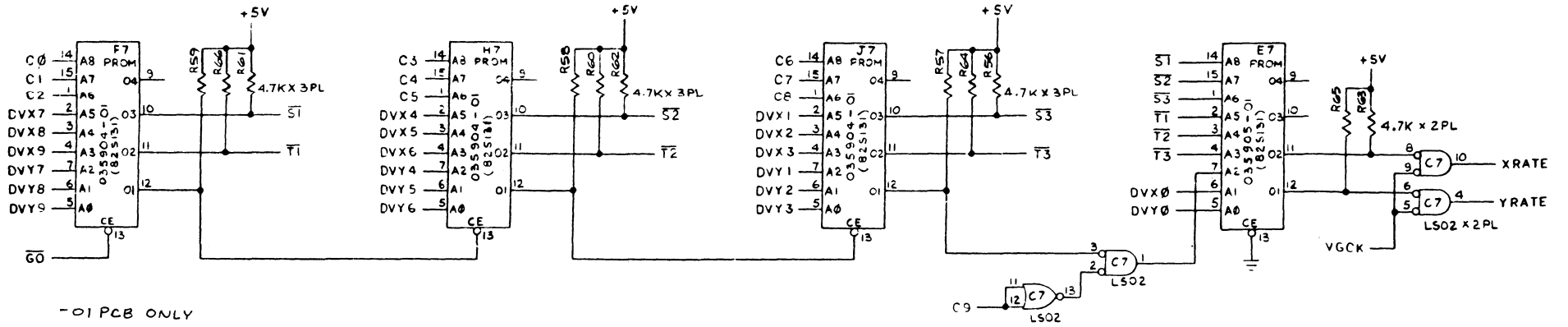
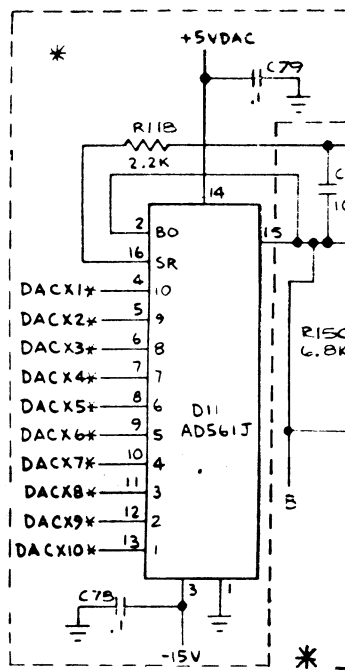
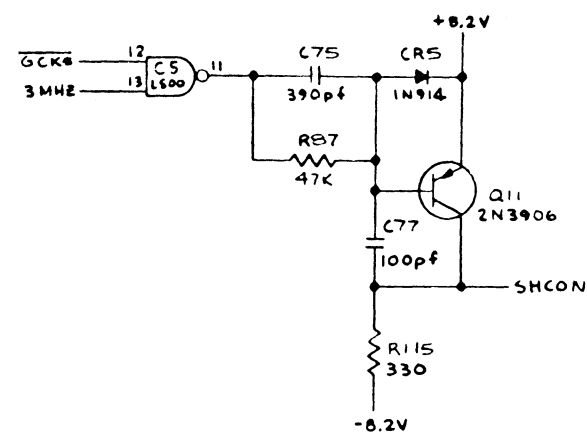
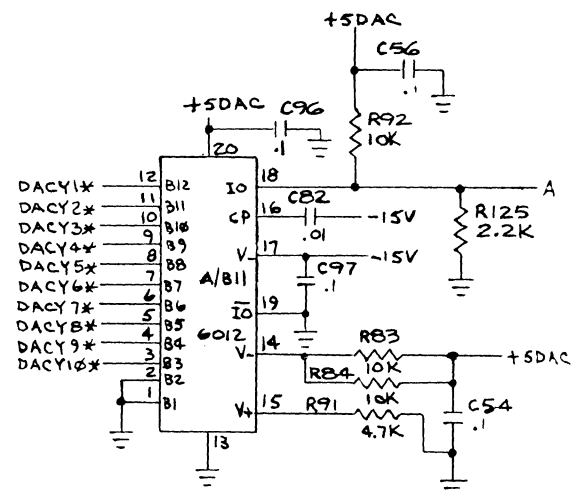
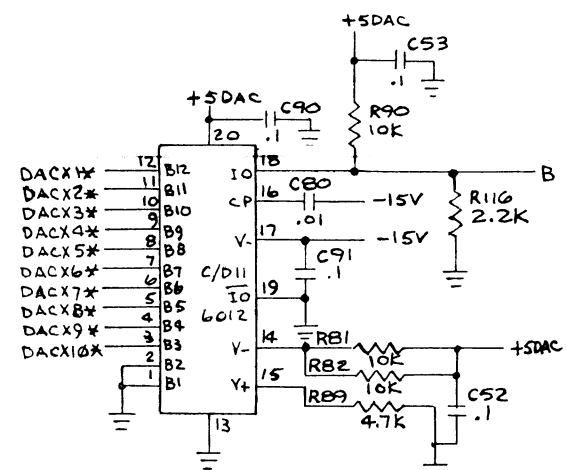


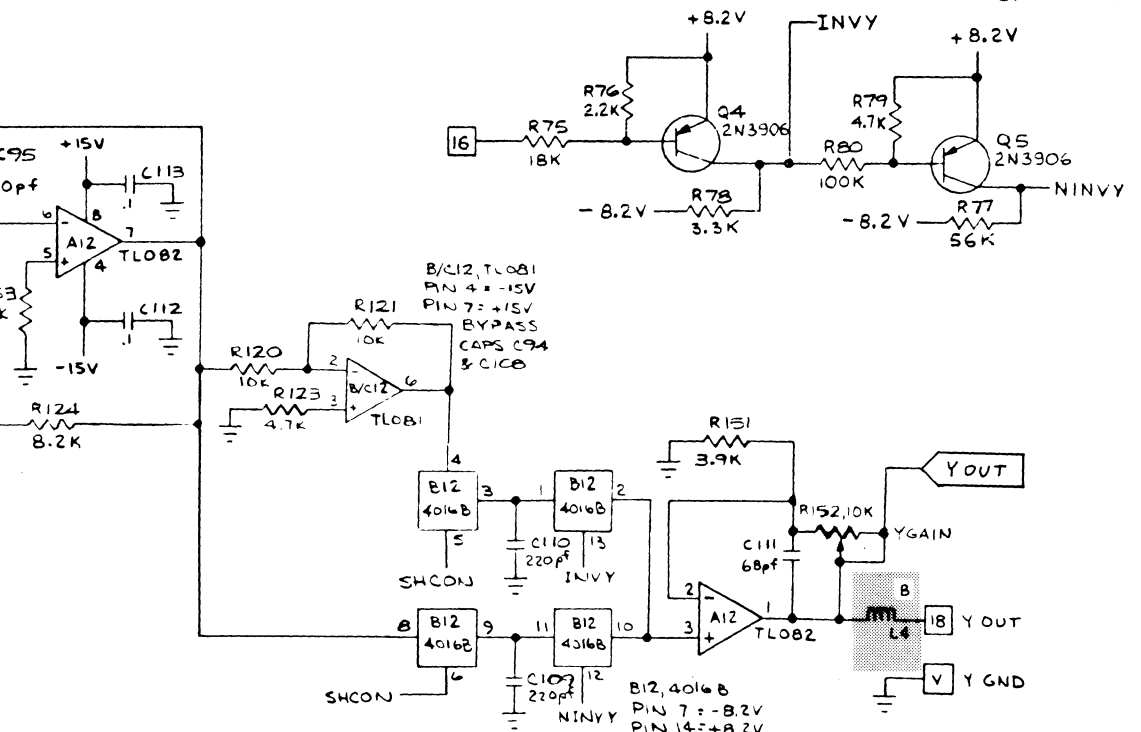
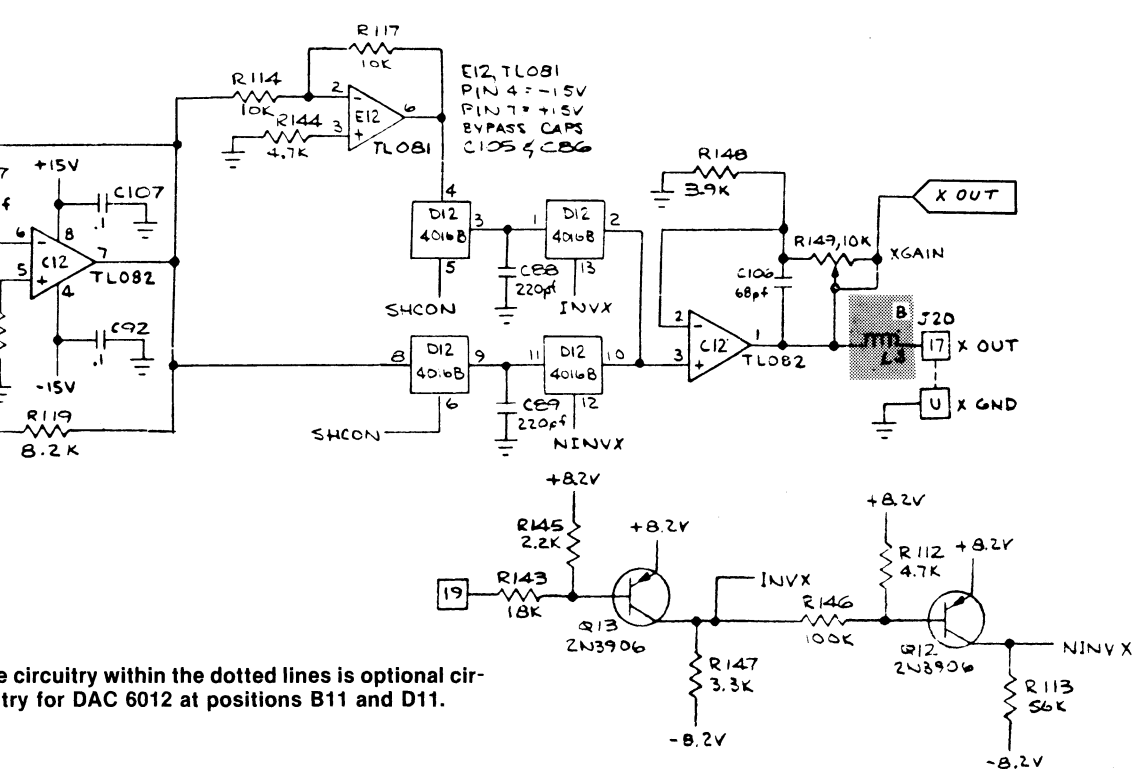
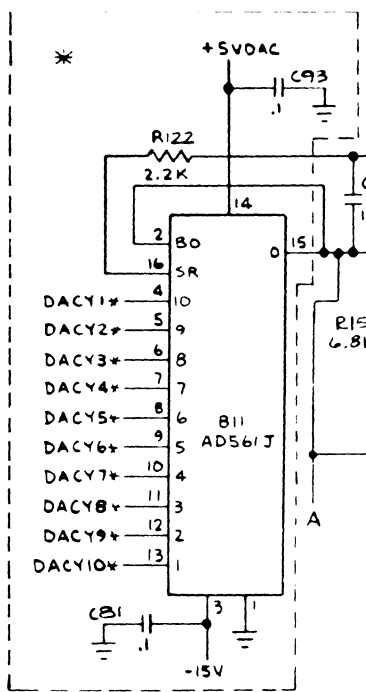
# VECTOR TIMER



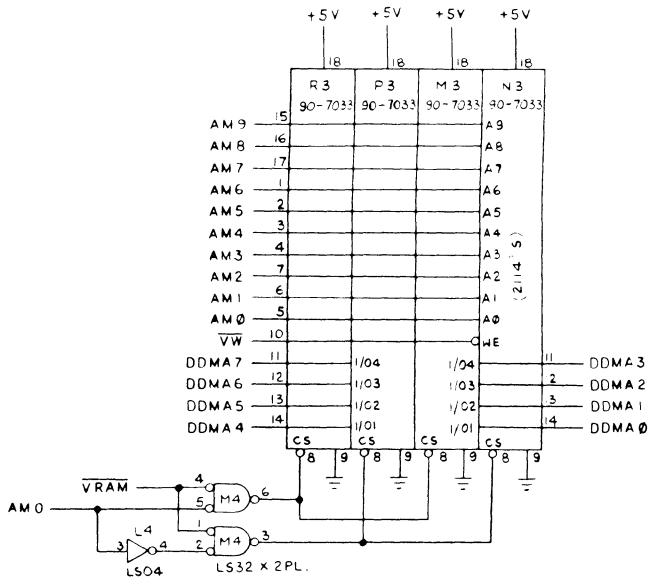




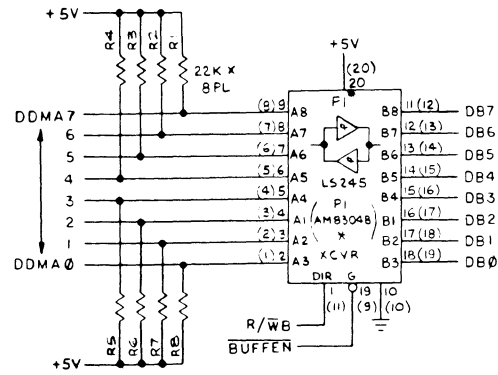
The circuitry within the dotted lines is optional circuitry for DAC 6012 at positions B11 and D11.



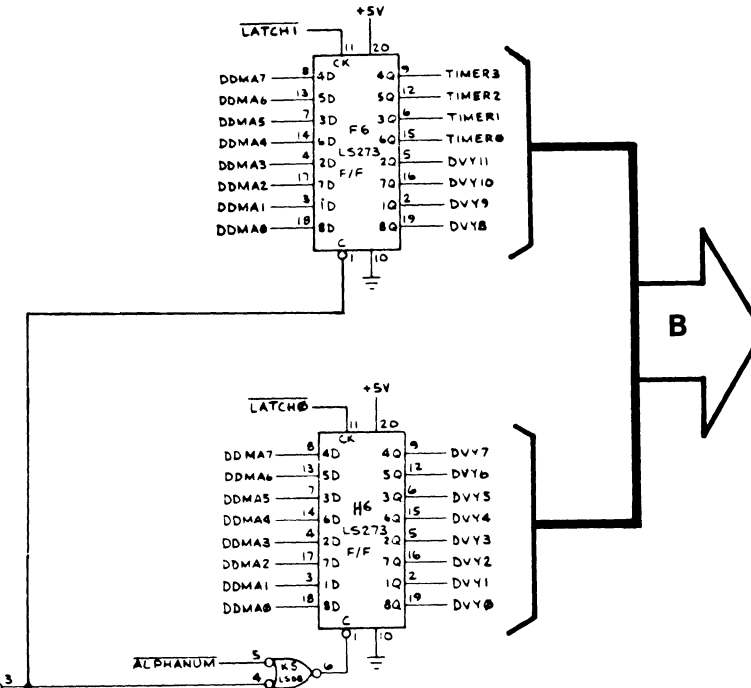
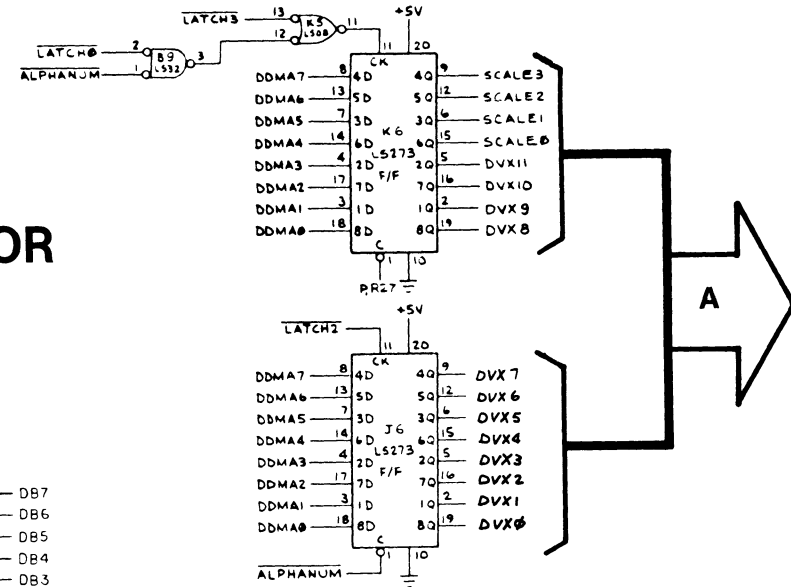
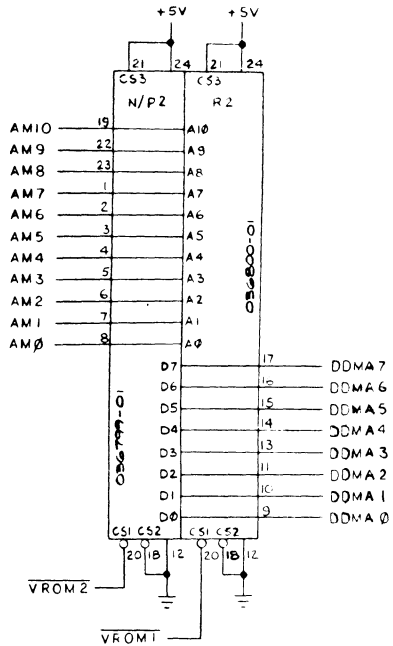
# VECTOR GENERATOR RAM



# VECTOR GENERATOR DATA BUFFER

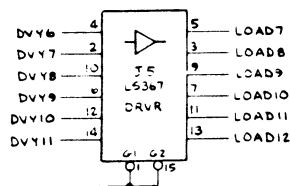
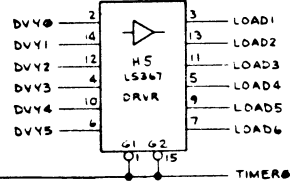
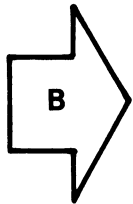
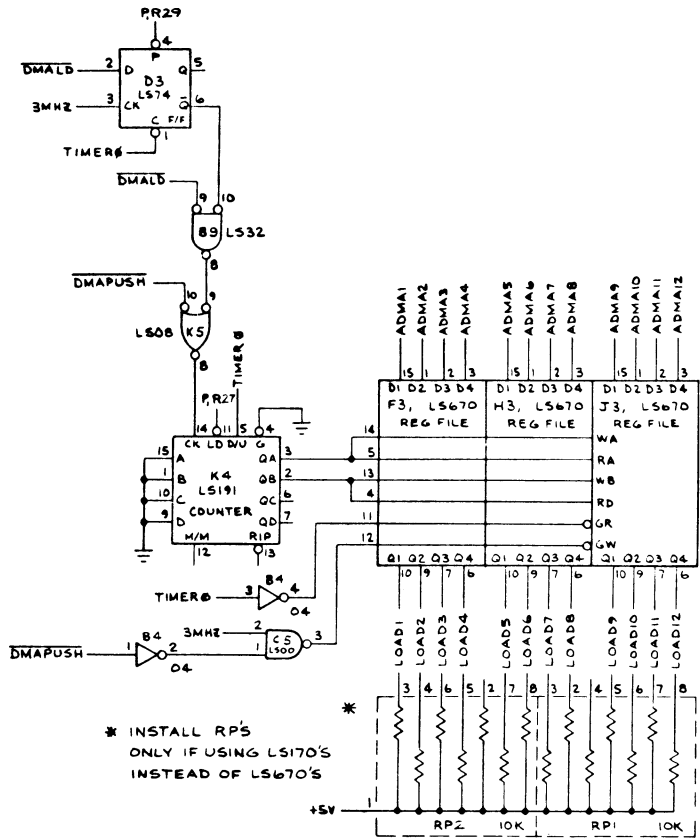


# VECTOR GENERATOR ROM

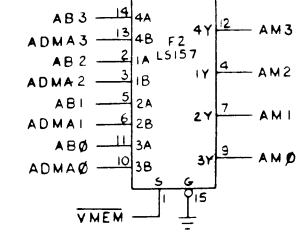
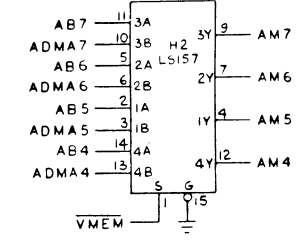
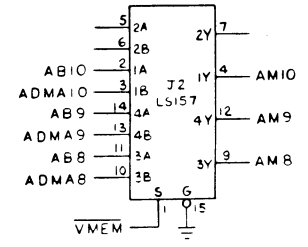
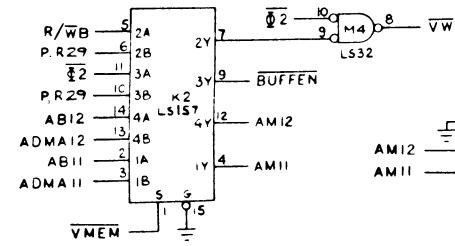
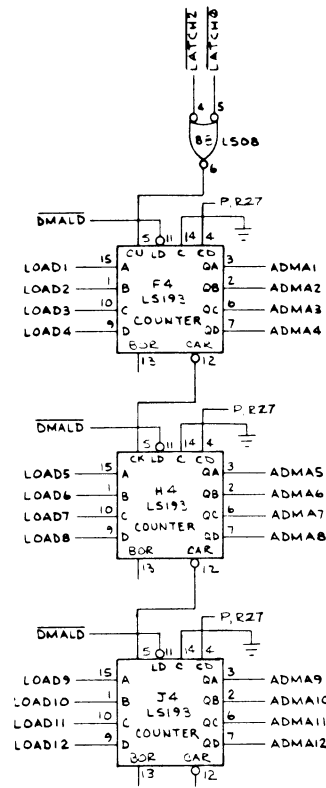


# VECTOR GENERATOR MEMORY DATA LATCHES

# PROGRAM COUNTER



TIMER0



# VECTOR GENERATOR MEMORY ADDRESS SELECTOR

# STATE MACHINE

