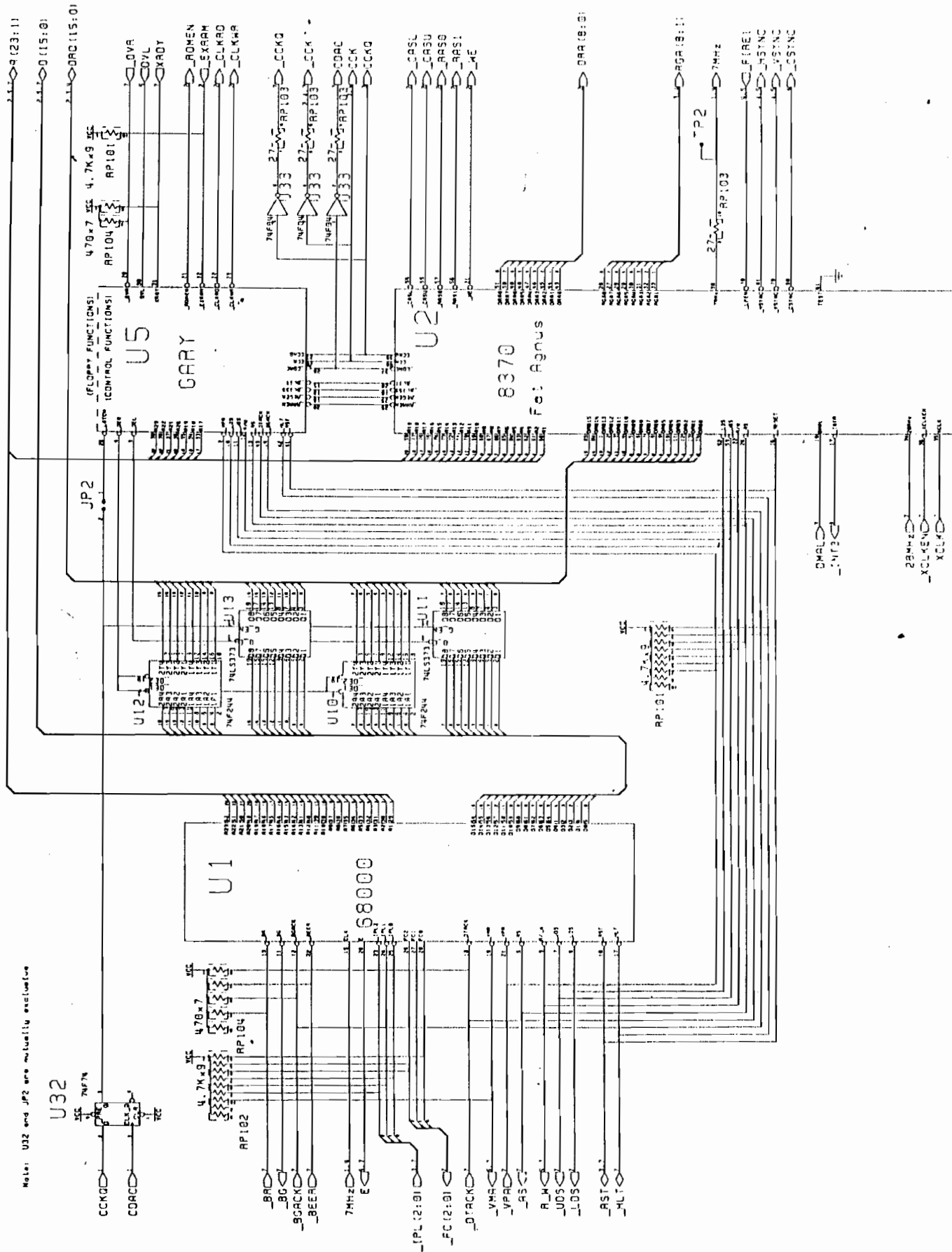


MAD DOG
McCree

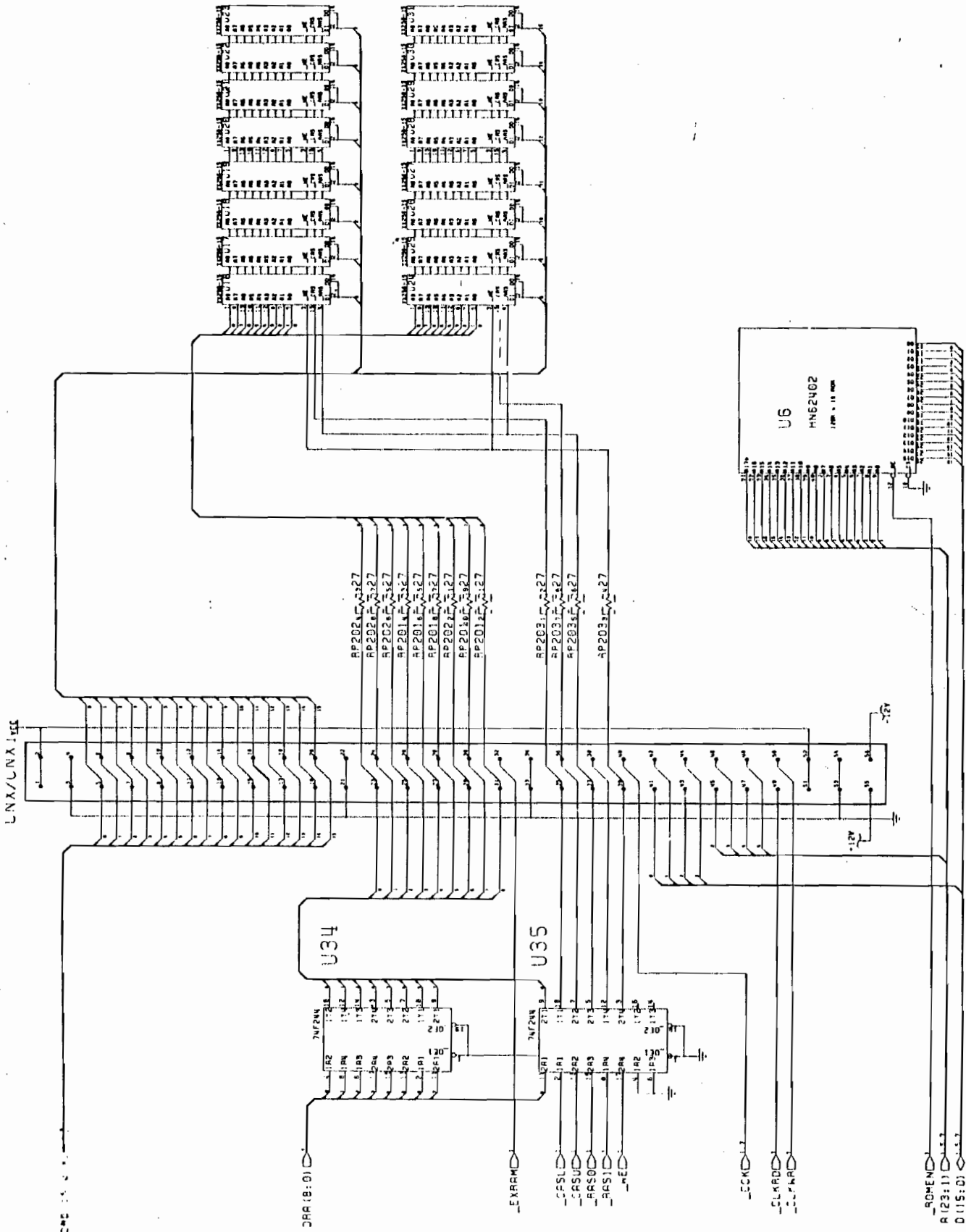
Appendix F

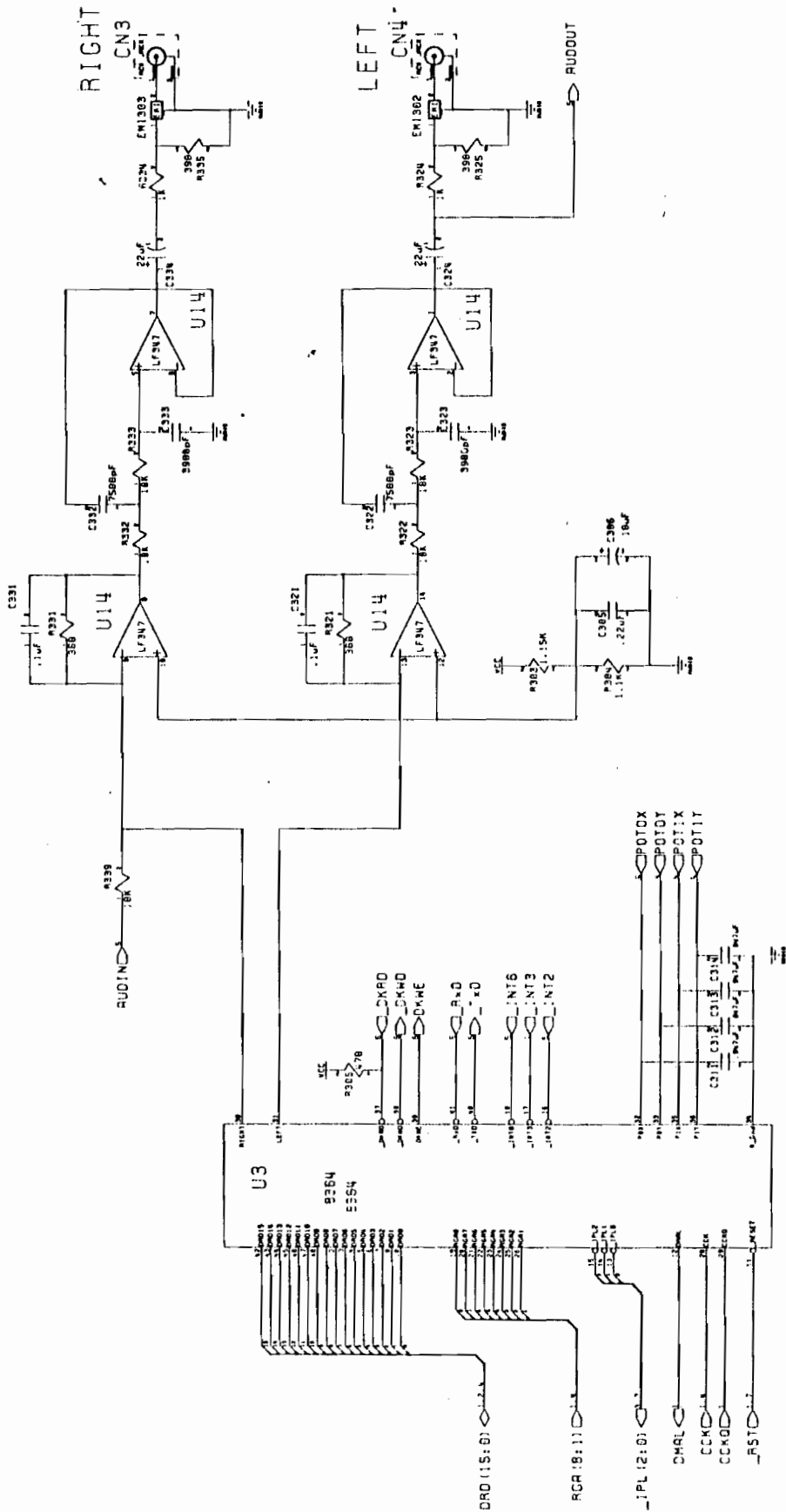
Amiga 500 Schematics



Note: U12 and JP2 are mutually exclusive

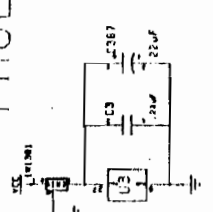
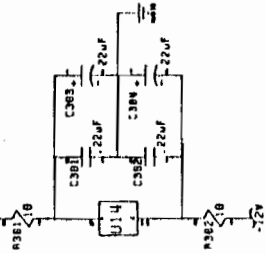
U32

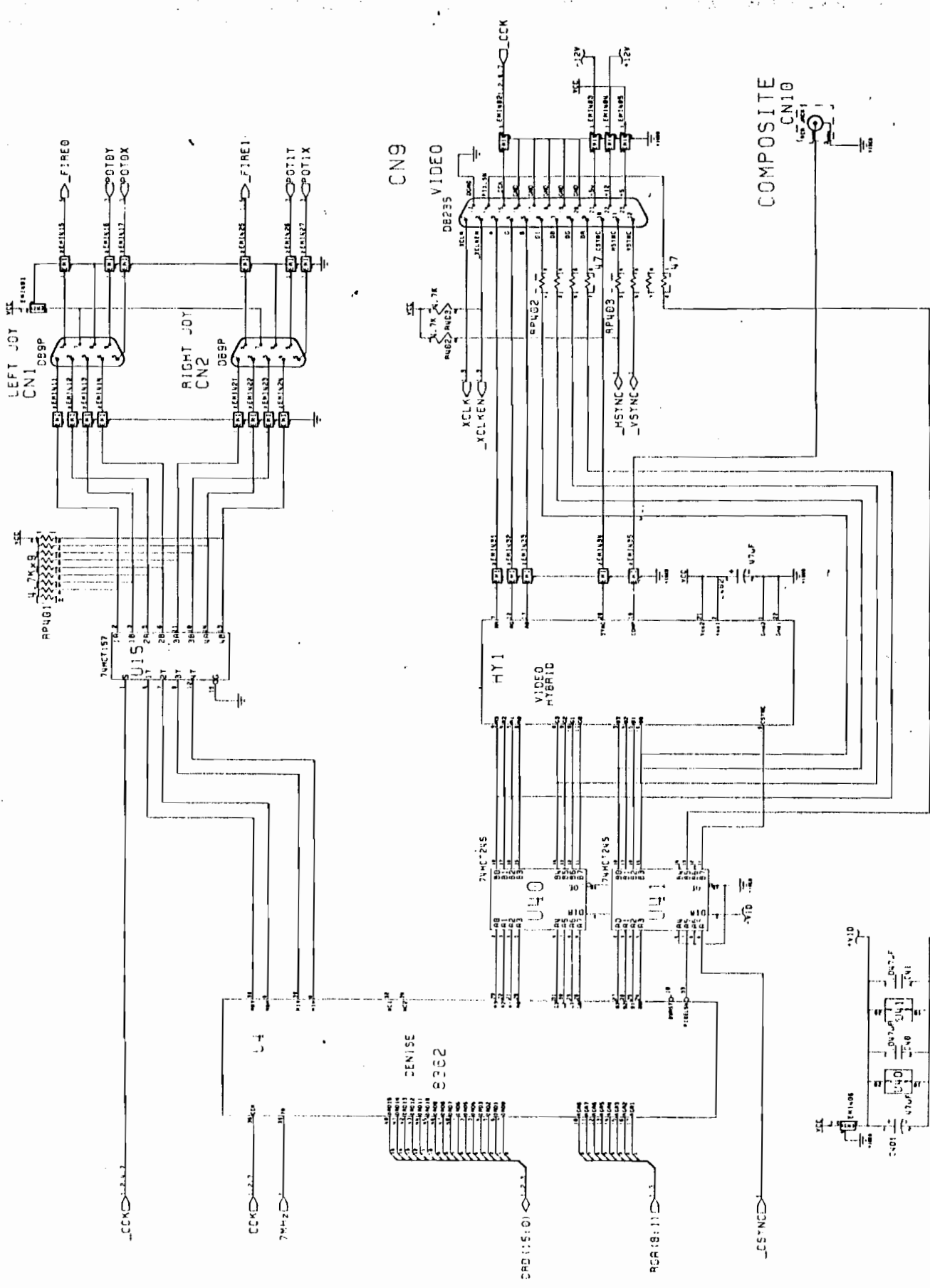


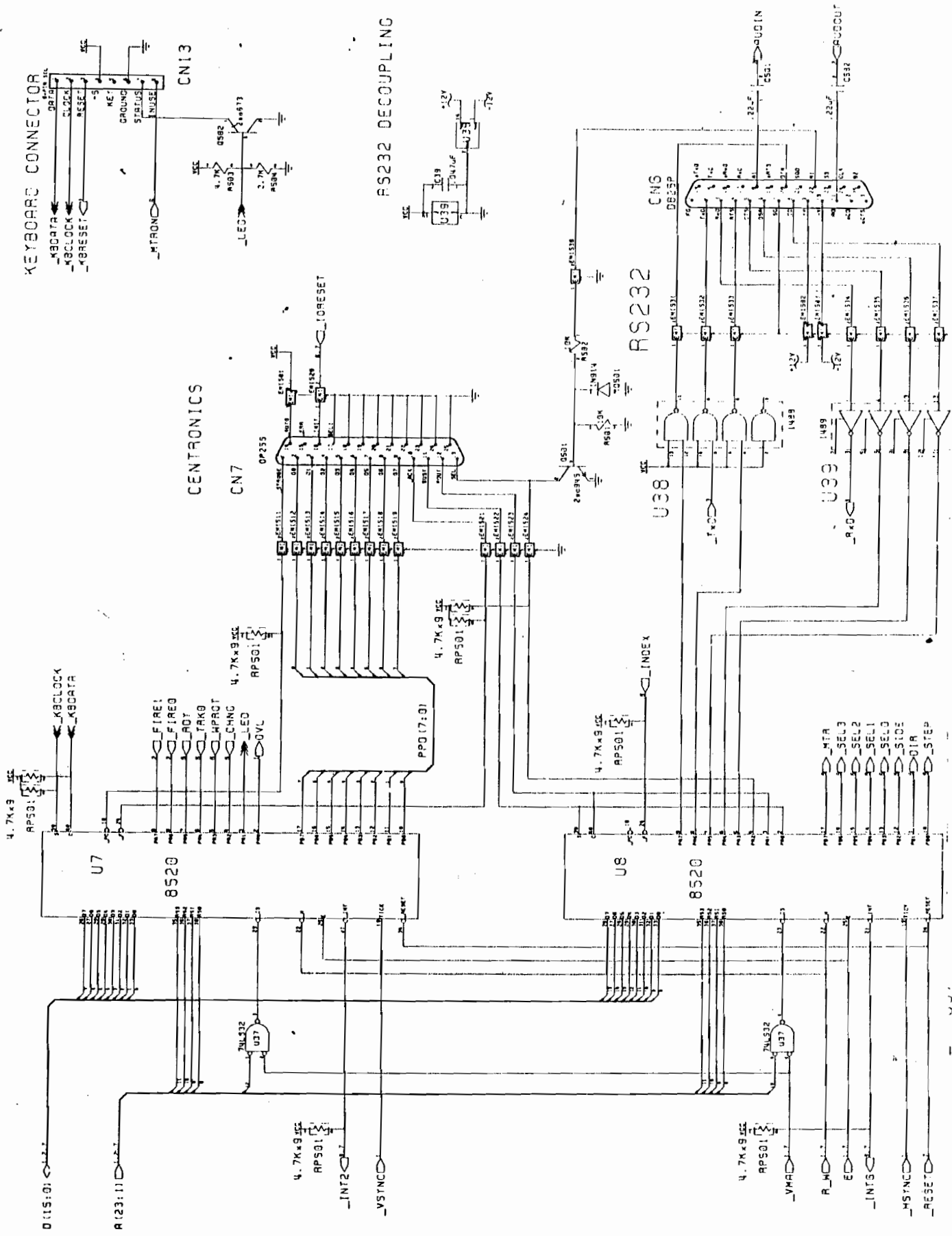


AUDIO POWER

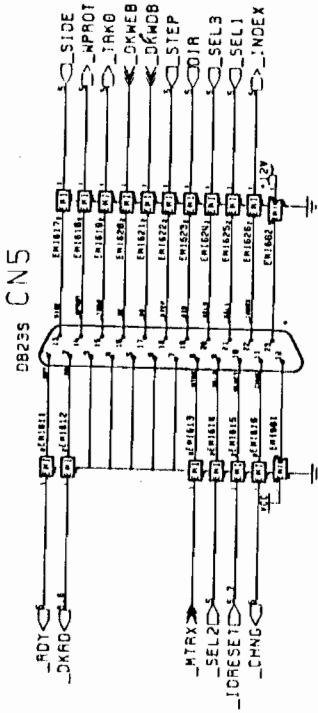
PAULA POWER!





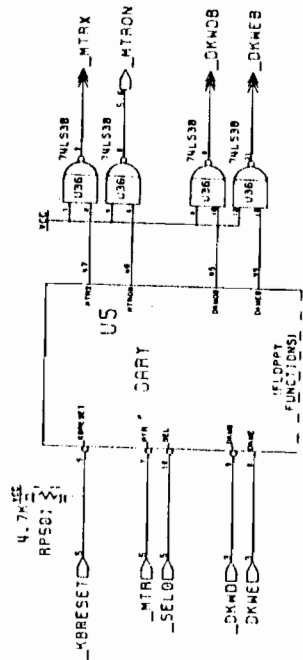
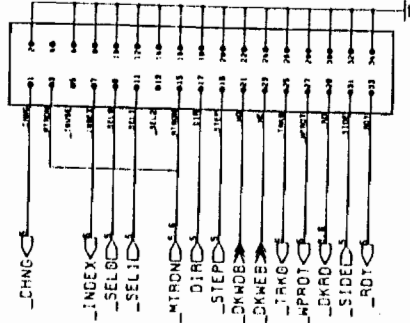


EXTERNAL FLOPPY

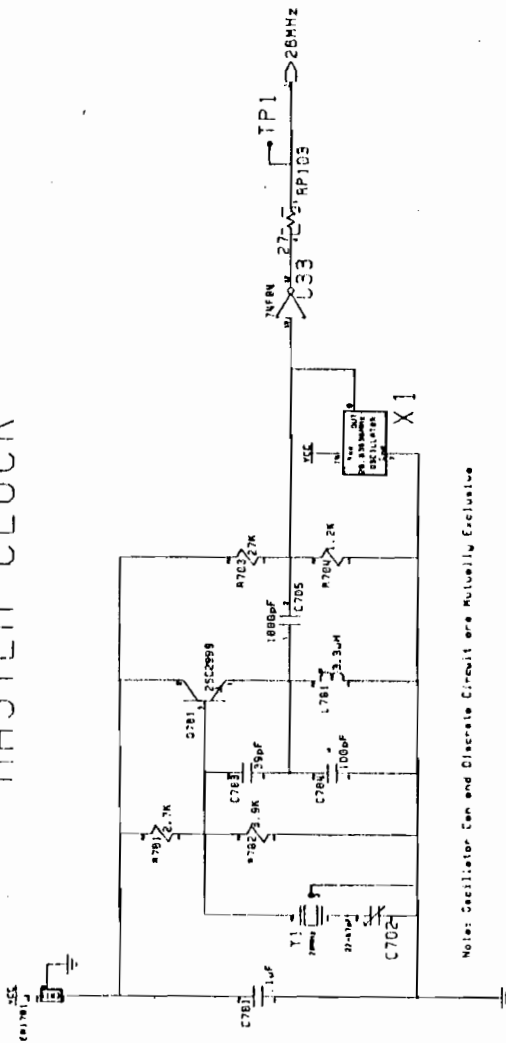


INTERNAL FLOPPY

CN11A/CN11B

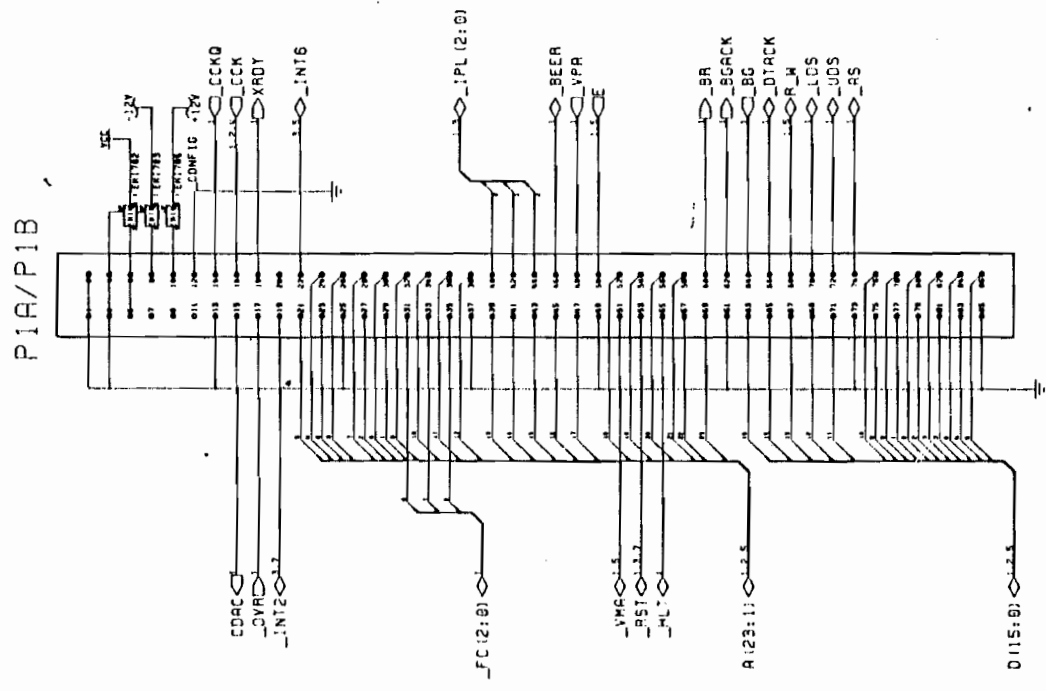


MASTER CLOCK

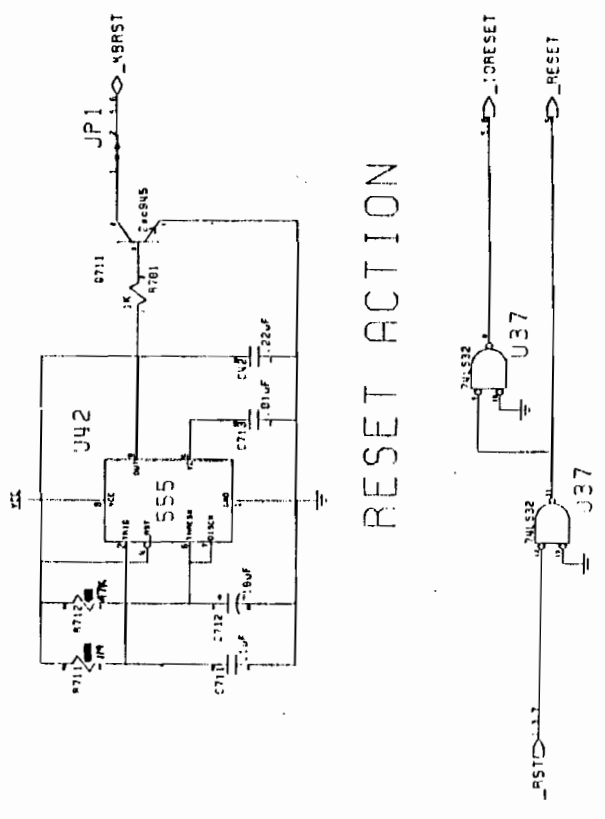


Note: Oscillator Can and Discrete Circuit are Mutually Exclusive

EXPANSION PIA/P1B

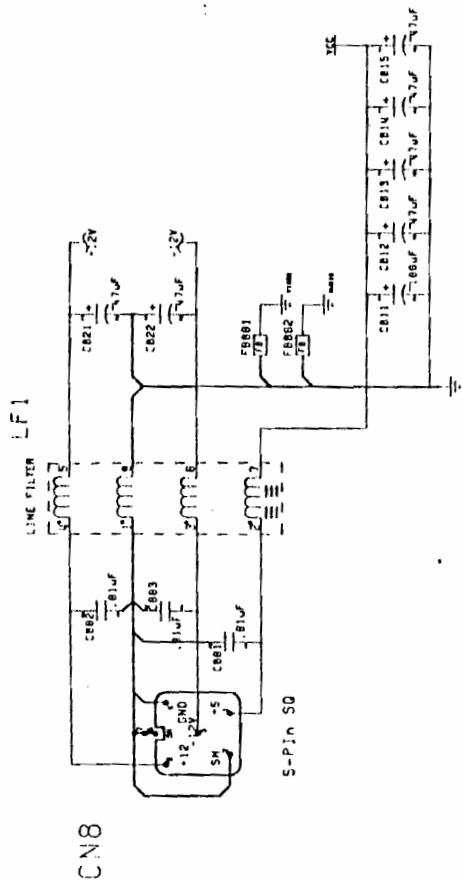


RESET ACTION

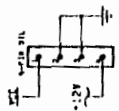


POWER INPUT

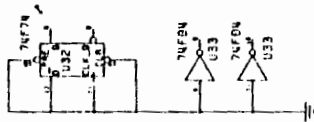
SPARES



FLOPPY POWER



CN12



NOTE: HEAVY LINES INDICATE A SINGLE POINT CONNECTION

DECOUPLING

