

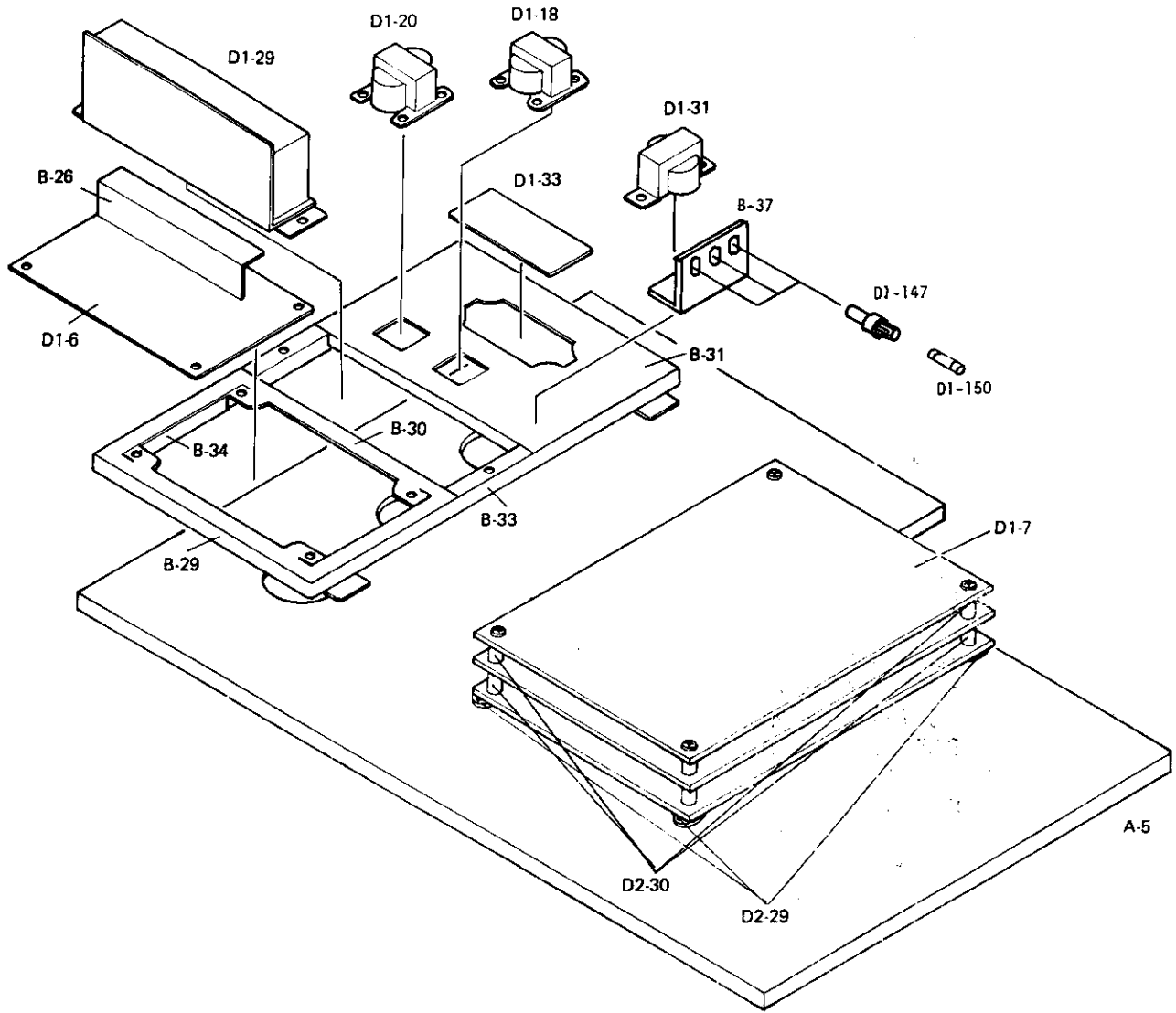
MAIN CABINET

REF. NO.	DESCRIPTION	MFG. NO.	QTY.
A-1	MAIN CABINET	8B00090	1
A-2	MAINTENANCE DOOR (TOP)	8B00068	1
A-3	MAINTENANCE DOOR (BOTTOM)	8B00077	1
A-4	FRONT PANEL BASE	8B00078	1
A-6	LASER DISC PLAYER BOARD	8B00072	1
A-7	FRONT SPEAKER BOARD	8B00079	1
A-8	TOP SPEAKER BOARD	8B00087	1
A-11	FRONT PANEL	8P00025	1
A-12	GLASS	8B00057	1
A-13	CRT MASK	8B00041	1
A-14	FRONT DECORATION SHEET	8E00082	1
A-15	FRONT DECORATION LABEL	8E00069	1
A-16	SIDE DECORATION LABEL (R)	8E00073	1
A-17	SIDE DECORATION LABEL (L)	8E00074	1
A-18	ILLUMINATION PANEL	8E00068	1
A-19	ILLUMINATION PANEL MOUNTING ANGLE	8S00081	1
A-21	AC CORD STOPPER	8G00051	1
A-22	ADJUSTER PLATE	8S00054	2
A-23	CASH BOX	8R00084	1
A-25	RATING PLATE	8E00072	1
A-30	FAN MOTOR COVER SHEET	8P00021	2
A-31	PUNCHED METAL	8H00026	4
A-101	LOCK	8A00011	2
A-102	KEY	8A00013	3
A-103	TRIM RING	6H00152	2
A-104	LOCK	51S0R9S	1
A-105	CASH BOX KEY	71S2R9R	1 KIT
A-106	COIN SELECTOR ASS'Y	8A00032	1 KIT
A-108	CASTER	KHN-50HR	2
A-109	ADJUSTER	AJ-36	2
B-1	LASER DISC PLAYER BOARD STOPPER	8S00061	1
B-2	CRT BASE REINFORCEMENT ANGLE	8R00074	2
B-3	CONTROL PANEL MOUNTING ANGLE (A)	8R00086	1
B-4	CONTROL PANEL MOUNTING ANGLE (B)	8R00087	1
B-5	CONTROL PANEL MOUNTING ANGLE (C)	8R00082	1
B-6	SP PLATE MOUNTING BRACKET (R)	8S00085	1
B-7	SP PLATE MOUNTING BRACKET (L)	8S00084	1
B-8	FLUORESCENT LAMP MOUNTING BRACKET	8S00082	2
B-9	COIN COUNTER MOUNTING BRACKET	8R00085	1
B-10	KEY LOCK LEVER	8S00086	2
B-11	SWITCH PLATE	8R00083	1
B-12	AC CORD STOPPER	8S00089	1
B-13	CONTROL PANEL CUSHION	8P00026	1
B-14	ILLUMINATION PANEL CUSHION	8P00027	3
B-17	KEY HOLDER PLATE	8S00010	2
B-18	KEY LOCK (A)	8S00045	2
B-19	KEY LOCK (B)	8S00046	2
B-20	JOINT	8R00067	2
B-21	KEY LOCK HOLDER	8S00044	2
B-22	SPACER	8U00009	2

REF. NO.	DESCRIPTION	MFG NO.	QTY.
B-24	JOINT STUD	8U00010	1
B-25	AC OUTLET HOLDER	8S00035	1
B-27	VOLUME KNOB	21NF783	2
B-28	FILTER	8A00016	2
B-36	LASER DISC PLAYER CUSHION	8G00018	4
B-37	FUSE HOLDER MOUNTING BRACKET	8S00091	1
D1-5	CRT MONITOR ASS'Y	1810539	1
D1-23	NOISE FILTER	1810542	1
D1-102	SPEAKER (WOOFER)	1620419	2
D1-113	COIN COUNTER	1670189	1
D1-145	POWER SW.	1623332	1
D1-146	ERASE SW.	1623338	1
D1-148	FUSE HOLDER	1790383	1
D1-149	FUSE 5A	1790401	1
D1-155	FAN MOTOR	1640224	4
D1-196	SERVICE SW.	1622899	1
D1-197	TEST SW.	1622934	1
D1-225	SWITCH PC BOARD ASS'Y	1613205A	1
D4-21	SUPER IMPOSE PC BOARD ASS'Y	1613161A	1
D5-1	VOLUME PC BOARD ASS'Y	1613163A	1
D5-3	VOLUME	5330519	3
S-2	CONTROL LABEL	8E00011	1
S-3	VOLTAGE LABEL	8E00045	1
S-7	CONTROL LABEL	8E00073	1
S-8	AC OUTLET LABEL	8E00019	1
S-44	HOW TO PLAY LABEL	8E00044	1
LA-1	SCREW, M8 x 35	SRC0835	4
LA-6	SCREW, M4 x 20	SRK5420	3
LA-10	SCREW, M6 x 25	CPM3625	8
LA-12	SCREW, M6 x 20	SPM3660	4
LA-17	SCREW, ϕ 4.1 x 13	SWU3R13	4
LA-18	SCREW, ϕ 2.7 x 10	SWU3V10	2
LA-25	SPRING WASHER, M8	WCM1815A	4
LA-27	SPRING WASHER, M6	WSM612W	4
LA-30	WASHER, M4	WPK4138	4
LA-31	WASHER, M4	WPK4138	3
LA-35	NUT, M8	NHM3080	4
LA-301	SCREW, M4 x 7	SZKA407	8
LB-4	SCREW, M3 x 6	CPM3306	2
LB-5	SCREW, M3 x 6	CPM3306	2
LB-7	SCREW, M3 x 10	FPM3310	9
LB-9	SCREW, M3 x 20	FPM3320	4
LB-11	SCREW, M3 x 40	FPM3340	2

REF. NO.	DESCRIPTION	MFG. NO.	QTY.
LB-14	SCREW, M4 x 6	CPM3406	4
LB-17	SCREW, M4 x 10	FPM3410	2
LB-21	SCREW, M4 x 20	FPM3420	4
LB-22	SCREW, M4 x 20	CPM3420	2
LB-23	SCREW, M4 x 20	FPM3420	4
LB-24	SCREW, M4 x 20	CPM3420	2
LB-25	SCREW, M4 x 25	FPM3425	4
LB-30	SCREW, M6 x 20	FPM3620	3
LB-31	SCREW, M6 x 20	CPM3620	2
LB-33	SCREW, M6 x 35	FPM3635	3
LB-34	SCREW, M6 x 35	FPM3635	4
LB-36	SCREW, M6 x 35	FPM3635	2
LB-44	SCREW, M3.5 x 35	DPM1T35	8
LB-47	SCREW, ϕ 3.1 x 32	SVM3U32	4
LB-48	SCREW, ϕ 3.5 x 13	SWU3T13	30
LB-49	SCREW, ϕ 3.1 x 13	SWU3U13	2
LB-50	SCREW, ϕ 4.1 x 13	SWU3R13	4
LB-51	SCREW, ϕ 4.1 x 13	SWU3R13	4
LB-52	SCREW, ϕ 2.7 x 10	SWU3V10	8
LB-54	SCREW, ϕ 4.1 x 16	SVU3F16	2
LB-55	NUT, M4	NHM3040	8
LB-56	NUT, M4	NHM3040	8
LB-57	NUT, M4	NHM3040	4
LB-58	NUT, M4	NHM3040	4
LB-60	WASHER, ϕ 8.2 x ϕ 18 x t1.6	WPM818X	2
LB-75	E-RING, ϕ 4	EEU0040	4

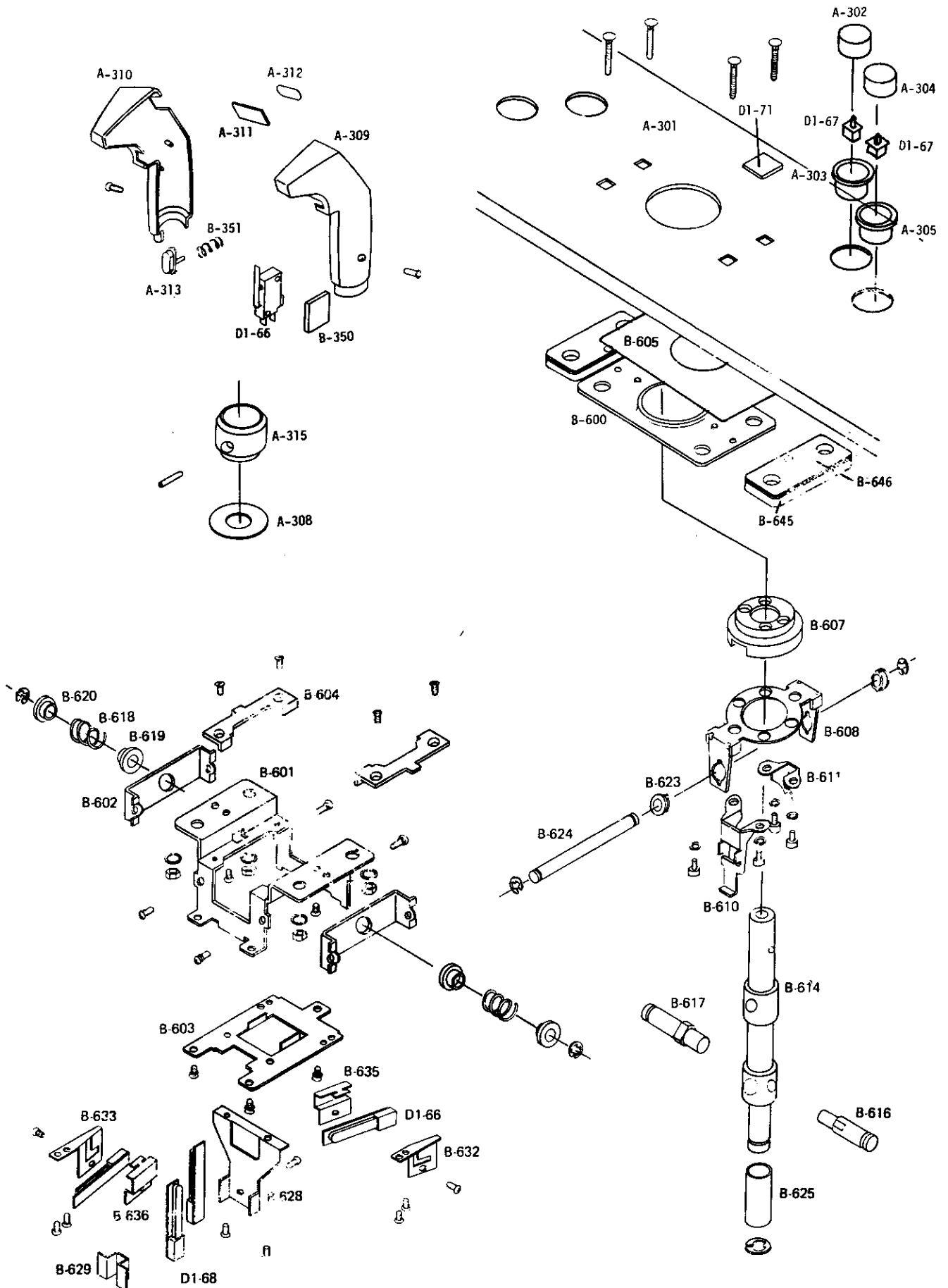
MAIN PC BOARD ASS'Y



MAIN PC BOARD ASS'Y

REF. NO.	DESCRIPTION	MFG. NO.	QTY.
A-5	PC BOARD BASE	8B00089	1
B-26	HEAT SINK	8R00042	1
B-29	JOINT HOLDER (A)	8S00041	1
B-30	JOINT HOLDER (B)	8S00042	1
B-31	TRANS PLATE	8R00080	1
B-33	TRANS HOLDER (R)	8R00062	1
B-34	TRANS HOLDER (L)	8R00063	1
D1-6	AMP PC BOARD ASS'Y	1810508	1
D1-7	MAIN PC BOARD ASS'Y	1810505	1
D1-18	TRANSFORMER FOR CRT	115E236	1
D1-20	TRANSFORMER FOR SW. REGULATER	115E235	1
D1-29	SW. REGULATOR ASS'Y	1810506	1
D1-31	TRANSFORMER FOR AMP. LAMP.	115E237	1
D1-33	POWER SUPPLY PC BOARD ASS'Y	1613204A	1
D1-147	FUSE HOLDER	1790386	3
D1-150	FUSE 2A	1790402	3
D2-29	PCB LEG.	1790393	4
D2-30	PCB SUPPORT	8N00007	8
LB-1	SCREW, M3 x 70	SPM3370	4
LB-7	SCREW, M3 x 10	FPM3310	9
LB-16	SCREW, M4 x 10	FPM3410	2
LB-17	SCREW, M4 x 10	FPM3410	2
LB-18	SCREW, M4 x 10	FPM3410	4
LB-19	SCREW, M4 x 10	FPM3410	4
LB-29	SCREW, M6 x 20	CPM3620	4
LB-39	SCREW, M3 x 10	DLM3310	8
LB-40	SCREW, M3 x 10	DLM3310	4
LB-41	SCREW, M3 x 10	DLM3310	4
LB-46	SCREW, 2.7 x 16	SVM3V16	4
LB-63	WASHER, M3	WDU3064	1

JOY STICK ASS'Y



JOY STICK ASS'Y

REF. NO.	DESCRIPTION	MFG. NO.	QTY.
A-301	CONTROL PANEL	8G00052	1
A-302	PUSH SWITCH (B)	8D00008	2
A-303	PUSH SWITCH HOLDER (B)	8D00009	2
A-304	PUSH SWITCH (A)	8D00010	2
A-305	PUSH SWITCH HOLDER (A)	8D00011	2
A-308	SHAFT COVER	8P00024	1
A-309	SHIFT KNOB (L)	8M00003	1
A-310	SHIFT KNOB (R)	8M00002	1
A-311	NAME PLATE	8N00020	1
A-312	FUNAI LABEL	8E00075	1
A-313	FIRE KNOB	8N00021	1
A-315	SHIFT KNOB SOCKET	8J00004	1
B-350	CUSHION	8N00022	1
B-351	SPRING	8V00006	1
B-600	BASE	8S00030	1
B-601	JOY STICK CHASSIS	8R00081	1
B-602	SUB CHASSIS	8S00079	2
B-603	SWITCH BASE U	8S00075	1
B-604	GUIDE	8N00013	2
B-605	BASE (B)	8S00090	1
B-607	SHAFT HOLDER	8N00015	1
B-608	SHAFT BRACKET U	8S00074	1
B-610	SWITCH ARM U	8S00073	1
B-611	BRACKET U	8S00078	1
B-614	SHAFT U	8U00015	1
B-616	SPRING SHAFT U	8U00018	1
B-617	SPRING STUD U	8U00016	1
B-618	SHAFT SPRING	8V00002	2
B-619	SPRING BUSH LU	8N00019	2
B-620	SPRING BUSH SU	8N00018	2
B-623	BUSH, $\phi 8$	8N00017	2
B-624	SHAFT PIN	8U00014	1
B-625	SHAFT SLEEVE	8N00016	1
B-628	LEAF SWITCH STAND	8S00077	1
B-629	LEAF SWITCH BASE	3S00076	1
B-632	LEAF SWITCH HOLDER (L)	8S00069	1
B-633	LEAF SWITCH HOLDER (R)	3S00070	1
B-635	LEAF SWITCH SET PIECE (L)	8S00071	1
B-636	LEAF SWITCH SET PIECE (R)	8S00072	1
B-639	SWITCH PLATE	8N00014	4
B-645	JOY STICK SPACER	8S00080	2
B-646	JOY STICK SPACER (B)	8S00087	4
D1-66	LIMIT SWITCH	1624090	1
D1-68	LEAF SWITCH	1624108	4
D1-67	PUSH SWITCH, PCB	1622935/1613240	4
D1-71	START SWITCH ASS'Y	1622904	1
LA-302	SCREW, M4 x 7	SZKA407	2
LA-305	SCREW, M4 x 25	SRK0425	4
LA-309	SCREW, M8 x 16	SKK5816	1
LA-315	SPRING WASHER, M4	WSM4081	4