



MIDWAY MFG. CO.

10601 W. Belmont Avenue
Franklin Park, Illinois 60131
Telephone (312) 451-9200



November 4, 1983

S E R V I C E B U L L E T I N

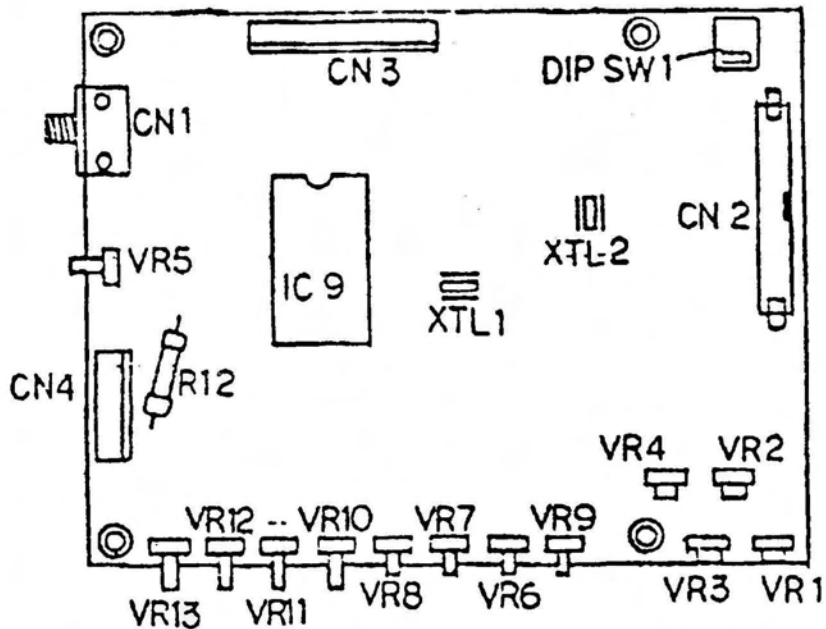
GAME: ASTRON BELT

SUBJECT: DEMODULATOR BOARD (Connectors & Adjustments)

CN (F - Type Conn.)	Chroma Signal Input from Video Disc Player
CN2 (26 P Conn.)	Logic Signal Input from Game Board
CN3 (10 P Conn.)	Power Supply 12-5-0V
CN4 (6 P Conn.)	TTL Signal Output to Color Monitor
Dip SW 1 (4 P)	Negative/Positive Switch of Sync Signal (Switch #4 must be ON)
VR1, VR2	Horizontal Sync/Blanking Timing Adjustment
VR3, VR4	Vertical Sync/Blanking Timing Adjustment
VR5	Black Level Adjustment (Laser video brightness)

INPUT LEVEL ADJUSTMENT OF LOGIC SIGNAL

VR6	Red Gain
VR7	Green Gain
VR8	Blue Gain
VR9	Output Level Adjustment of Logic Signal
VR10	Image Quality Adjustment (Resolution Control for Laser Video)
VR11	Hue Adjustment (Tint Control)
VR12	Color Level Adjustment
VR13	White Level Adjustment (Contrast Control)



Kevin Moeller
Field Service Technician

KM/dd