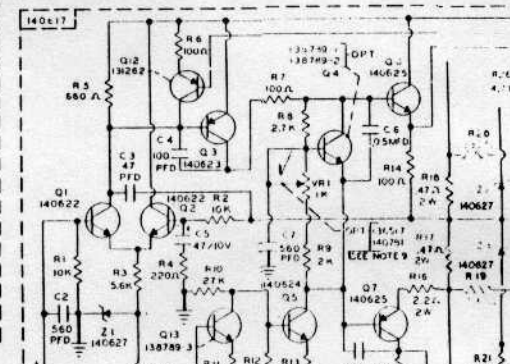
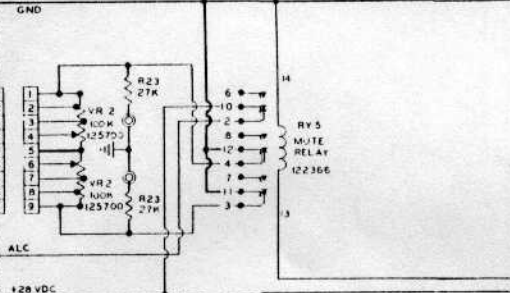
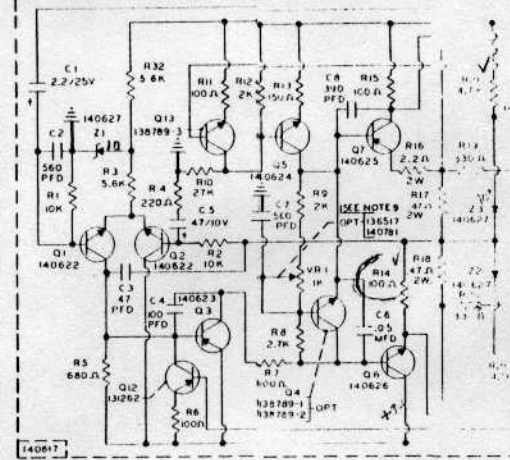
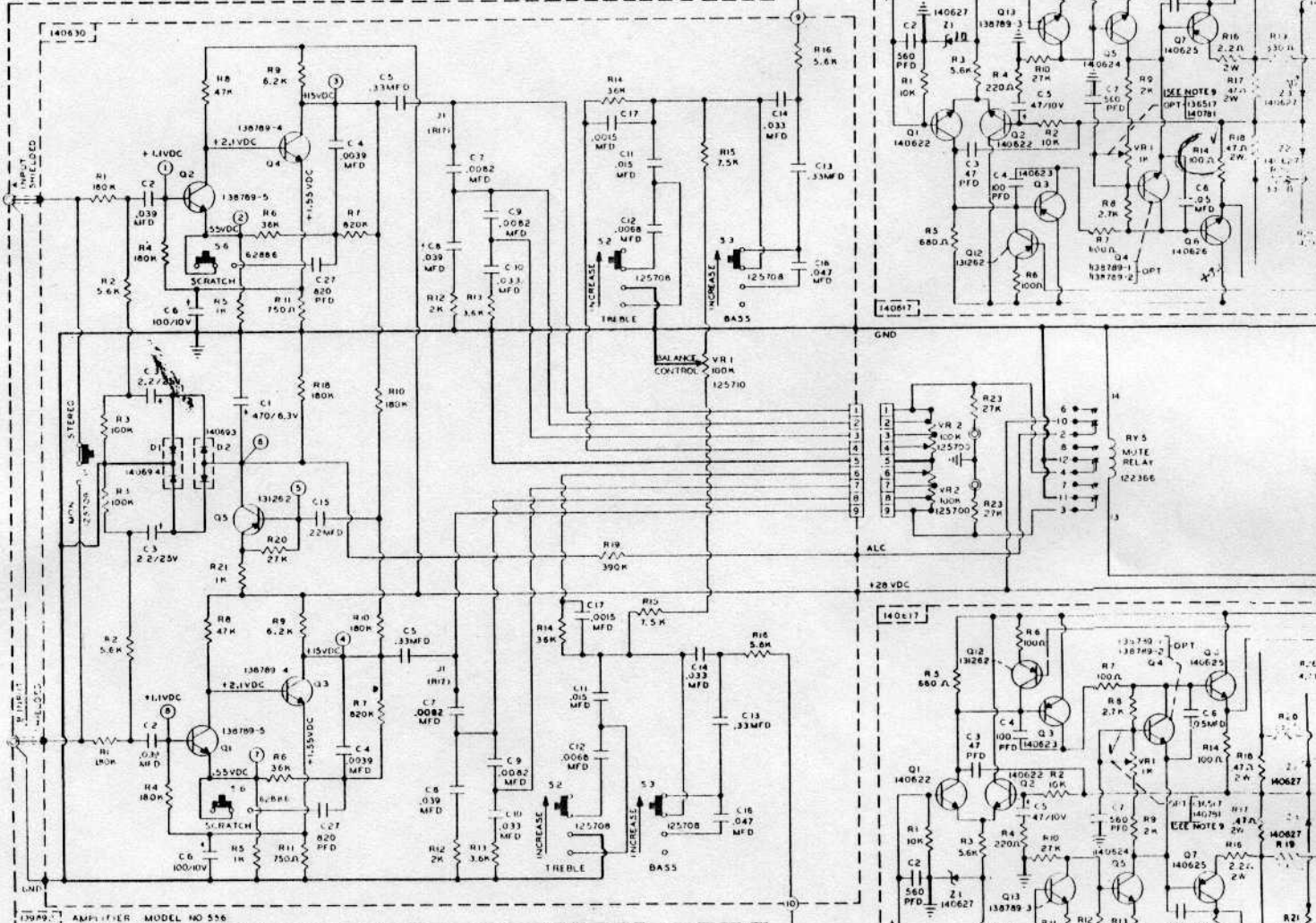
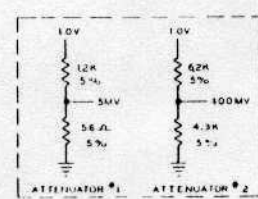


# SOUND SYSTEM WIRING DIAGRAM MOI



AC VOLTAGE MEASUREMENT (ALL VALUES ARE IN VOLTS)

TEST POINT	(1)	(2)	(3)	(4)	(5)	(6)	OUTPUT TO LOAD AT 10G
CONDITION #1 5WV INPUT OR USE 1WV I & ATTENUATOR #1 TO 100% CONTROL TUNE	3.0	1.3	0.90	0.33	0.2	0	1.0 VOLTS (RMS)
CONDITION #2 4WV REF. 1 OR USE 1WV REF. 1 ATTENUATOR #2 TO 100% CONTROL TUNE	0.29	0.29	1.88	0.45	0.56		



AC MEASUREMENTS MADE WITH AC VTVM, AS RCA WV-76A LOAD EACH CHANNEL WITH 8 OHMS A TO G  
DC MEASUREMENTS MADE WITH AN RCA SENIOR VOLT-OHM-YST WV-98C OR RCA VOLT-OHM-YST JUNIOR WV-77E.

- NOTES:
- LINE VOLTAGE 117VAC
  - CHANNELS "A" & "B" ARE IDENTICAL THEREFORE THEY ARE ASSIGNED THE SAME VALUES & PART NUMBER.
  - K = 1000 OHMS --- Ω = OHMS.
  - TEST VOLTAGE SHOULD BE WITHIN 20% OF VALUE SHOWN UNLESS MARKED REF. ONLY
  - DC VOLTAGES ARE WITH NO SIGNAL APPLIED & ARE SHOWN ADJACENT TO THE TEST POINTS, MEASURED FROM CHASSIS.
  - AC VOLTAGES ARE SHOWN IN CHART ABOVE, MEASURED FROM CHASSIS.
  - PRINTED CIRCUIT COVER MUST BE IN PLACE WHEN MAKING AC MEASUREMENTS.
  - ALL RESISTORS 1/2 WATT 10% UNLESS OTHERWISE NOTED.
  - IDLE CURRENT - ADJUST VARIABLE RESISTOR VR1 SUCH THAT THE VOLTAGE DROP ACROSS RESISTOR R18 IS BETWEEN 5-19 MILLIVOLTS. MEASUREMENT IS MADE WITH AMPLIFIER MUTED.
  - CAUTION: USE ISOLATED METER WHEN SETTING IDLE CURRENT

