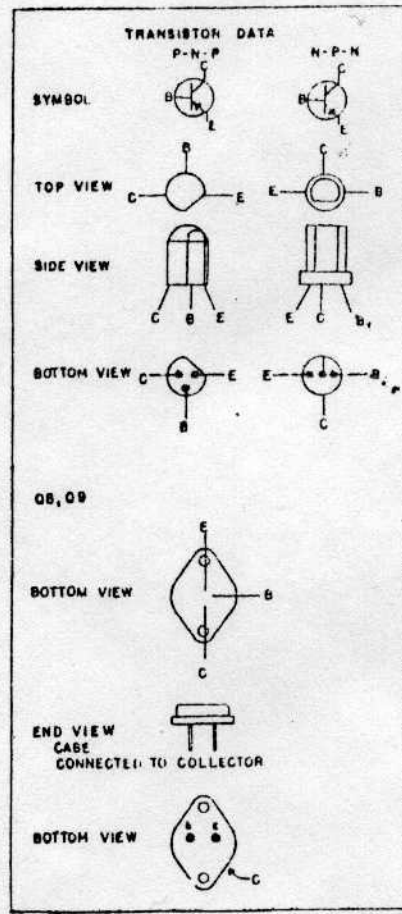
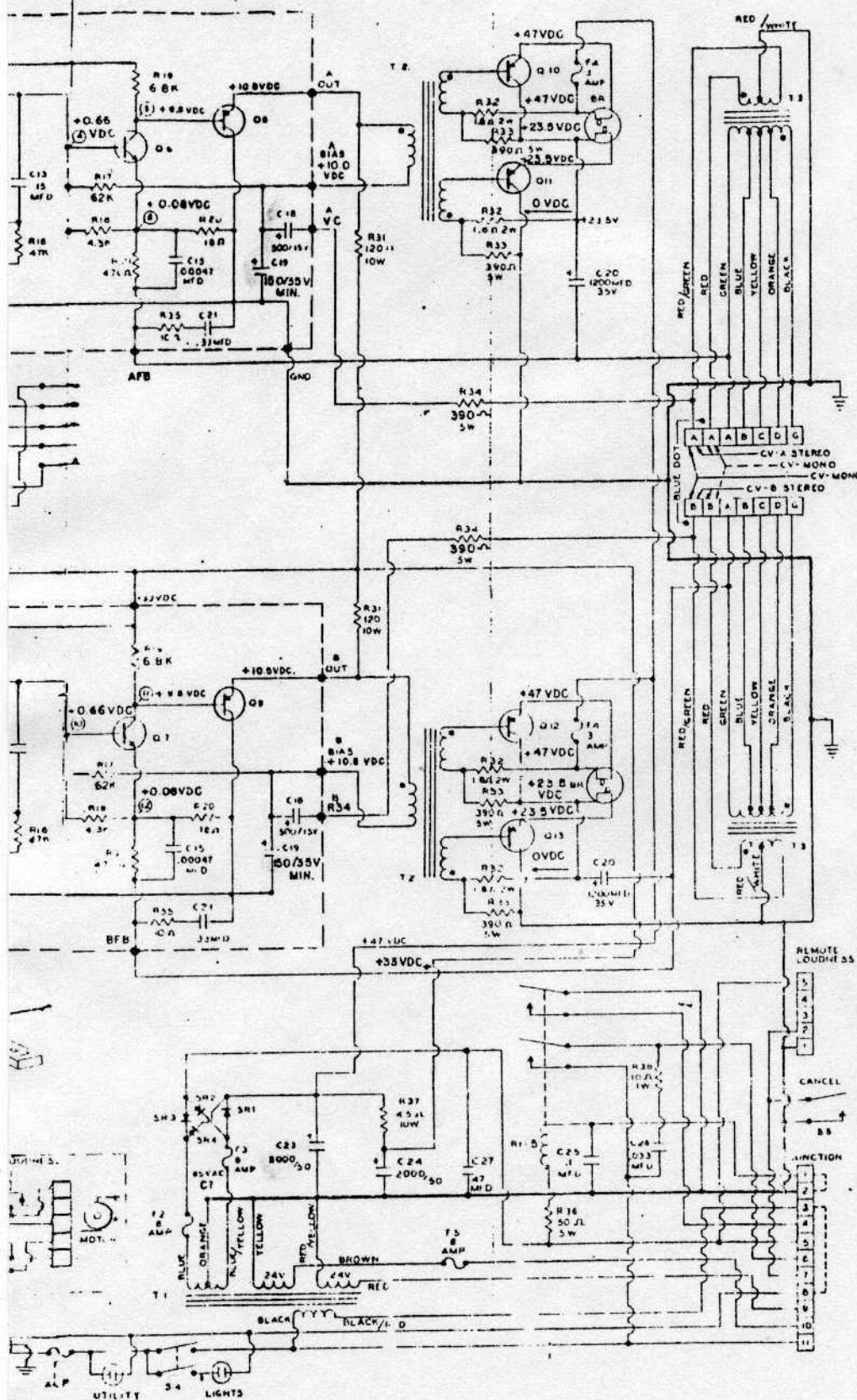


EM SCHEMATIC - MODEL 549 AMPLIFIER



NOTES:

- 1 LINE VOLTAGE 117 V.A.C.
- 2 CHANNEL A & B ARE IDENTICAL THEREFORE THEY ARE ASSIGNED THE SAME VALUES AND PART NUMBER.
- 3 K = 1000 OHMS --- Ω = OHMS
- 4 TEST POINTS 1 THRU 6 FOR CHANNEL A, 7 THRU 12 FOR CHANNEL B, ARE CORRESPONDING CIRCUIT POINTS AND SHOULD BE COMPARED TO EACH OTHER BOTH AC & DC.
- 5 TEST VOLTAGE SHOULD BE WITHIN 210% OF VALUE SHOWN UNLESS MARKED REF ONLY.
- 6 D.C. VOLTAGES ARE WITH NO SIGNAL APPLIED AND ARE SHOWN ADJACENT TO THE TEST POINTS, MEASURED FROM CHASSIS.
- 7 A.C. VOLTAGES ARE SHOWN IN CHART BELOW, MEASURED FROM CHASSIS.
8. WHEN REPLACING TRANSISTORS, USE THE SAME COLOR AS THE ORIGINAL.

549 AMPLIFIER
132378