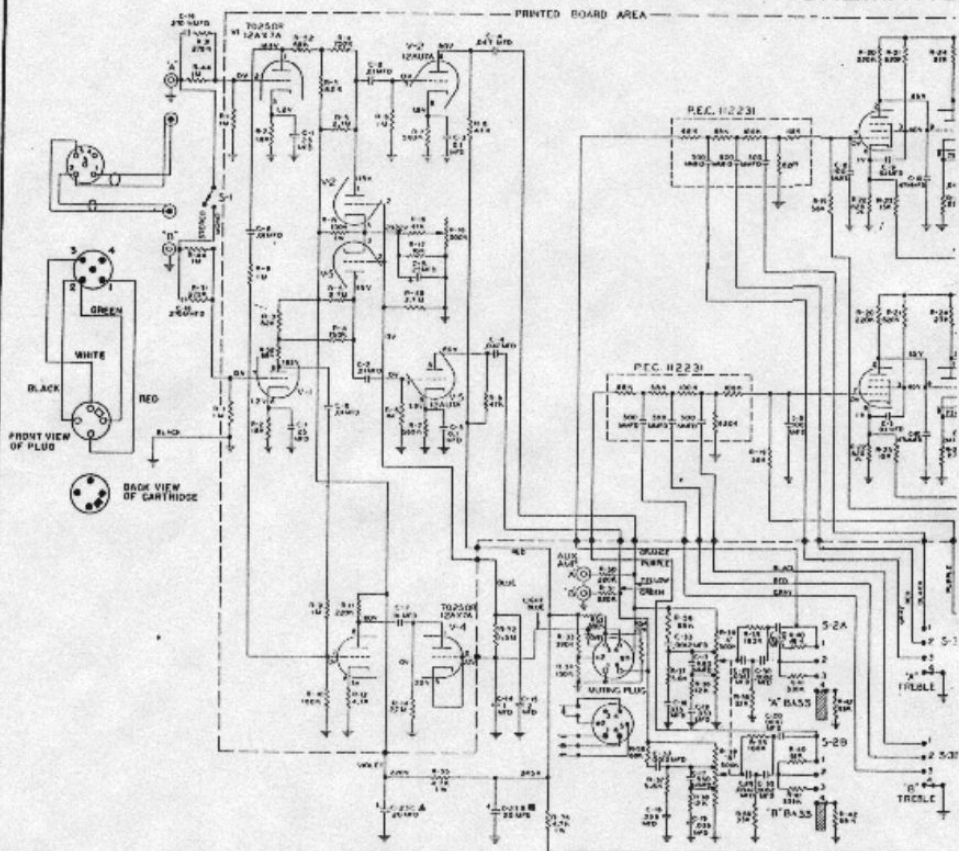


SOUND SYSTEM SCHEMATIC

PRINTED BOARD AREA



A.C. SIGNAL CHART
 USE BALL AND PINE 40-500M OR HEADPHONES VOLTMETER 50-20
 APLS 35 MILLIS. AT 1000 CPS. SIGNAL TO INPUT JACKS A & B
 LOUDEST CONTROL FULL LEFT/RIGHT. BASS & TREBLE CONTROLS TO 4"
 BALANCE CONTROL SET BY SWITCH. USE 5-20W RESISTOR AS
 OUTPUT LOAD FOR EACH CHANNEL.

TUBE	TYPE	PIN NOS.										
		1	2	3	4	5	6	7	8			
V 1	6X4	V.A.	100V	400V	0	200V	300V	100V	400V	0	100V	100V
V 2	6V6	V.A-REC1	500V	0	0	200V	300V	500V	400V	0	100V	100V
V 3	6V6	V.C.A.	100V	0	0	100V	300V	500V	100V	400V	100V	100V
V 4	6X4	V.A - P	150V	200V	150V	300V	100V	400V	400V	100V	100V	100V
V 1, V 2, V 3, V 4	POWER	AMP	0	H.C.	150V	100V	100V	500V	200V	0	100V	100V

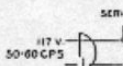


FIG. 82 SOUND SYSTEM SC