

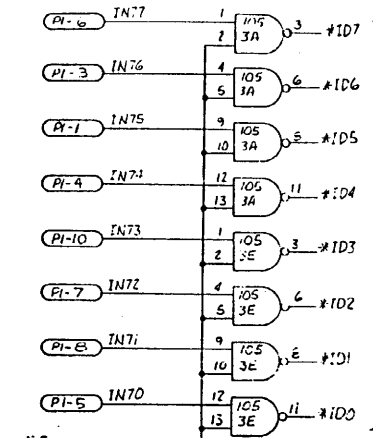
QTY	PART NO	ITEM DESCRIPTION	ITEM NO
LIST OF MATERIALS			
TOLERANCES		DO NOT SCALE DRAWING	
UNLESS OTHERWISE SPECIFIED		SIGNATURES	
MATERIALS		DATE	
FINISH		DRAWN T. H. LESTER	
NEXT ASSY		CHK	
		ENG	
		APVD	
		DATE	
		REV	

RAMTEK

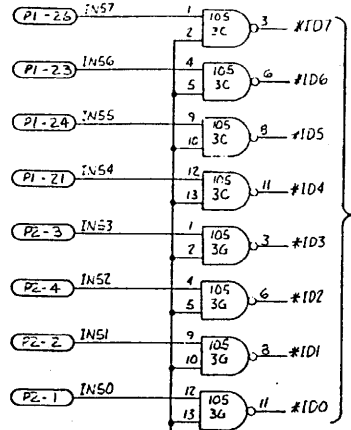
TIMING DIAGRAM
GAME BOARD M-79

550851

GAME SWITCH INPUTS

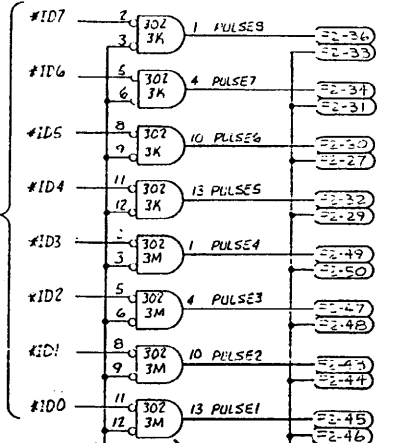


2C5, #PART7 10 302 4A
2D5, #READIØ 9 READIØ
ADDRESS 8007



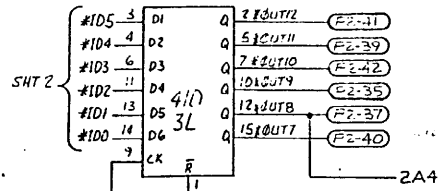
2C5, #PARTS 11 302 4A
2D5, #READIØ 12 READP5
ADDRESS 8005

GAME PULSE OUTPUTS

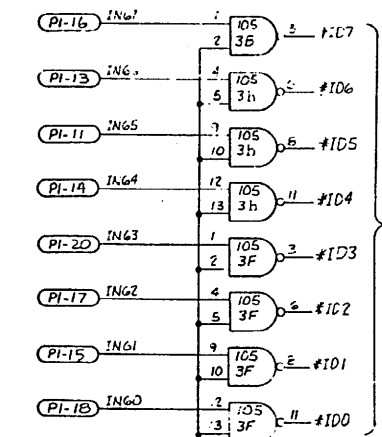


2C5, #PART0 10 231 8
2D5, #WRITIO 9 4B #LDPULSE
ADDRESS 8000

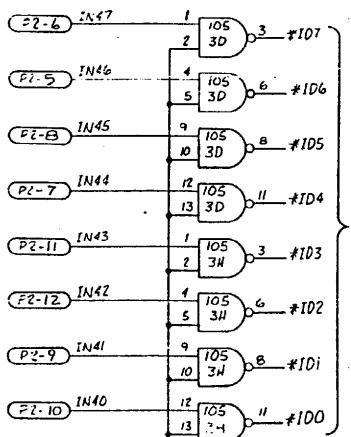
GAME STATIC OUTPUTS
SOUND CONTROL



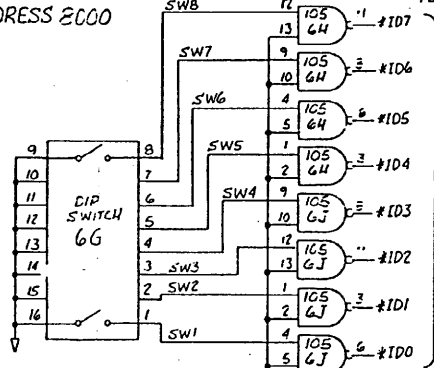
2C5, #PART2 9 302 3P
2D5, #WRITIO 8
ADDRESS 8002



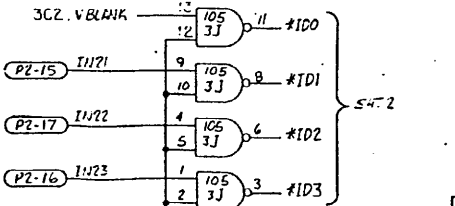
2C5, #PART6 5 302 4A
#READIØ 4 READP6
2D5
ADDRESS 8006



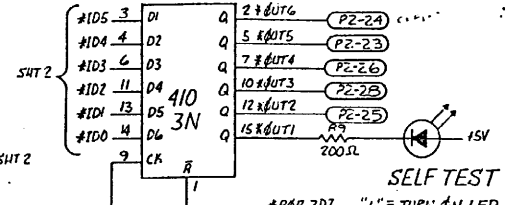
2C5, #PART4 2 302 4A
2D5, #READIØ 3 READP4
ADDRESS 8004



2C5, #PART0 6 302 4
2D5, #READIØ 5 READIP
ADDRESS 8000



2C5, #PART2 11 302 4B
2D5, #READIØ 12 5G
ADDRESS 8002



2C5, #PART3 5 302 4
2D5, #WRITIO 6
ADDRESS 8003

SELF TEST
"1" = TURN ON LED
"0" = TURN OFF LED

NOTE:
POWER ON RESET OR RESETSWITCH
WILL TURN ON "FAIL".
"0" WILL TURN OFF FAIL TO INDICATE
PASSING CONDITION.

ITEM NO.	PART NO.	ITEM DESCRIPTION	QTY REQD.
LIST OF MATERIALS			
IDENTIFIERS		DO NOT SCALE DRAWING	
OWN	T.H. ALLESTED	DATE	3-13-74
MATL	CHK	SEIZES	3-3-77
ENG			
DRW			
REV			

RAMTEK	
LOGIC DIAGRAM, GAME BD.	
M-79	
REV	550251

REFRESH/8080 ADDRESS SELECT

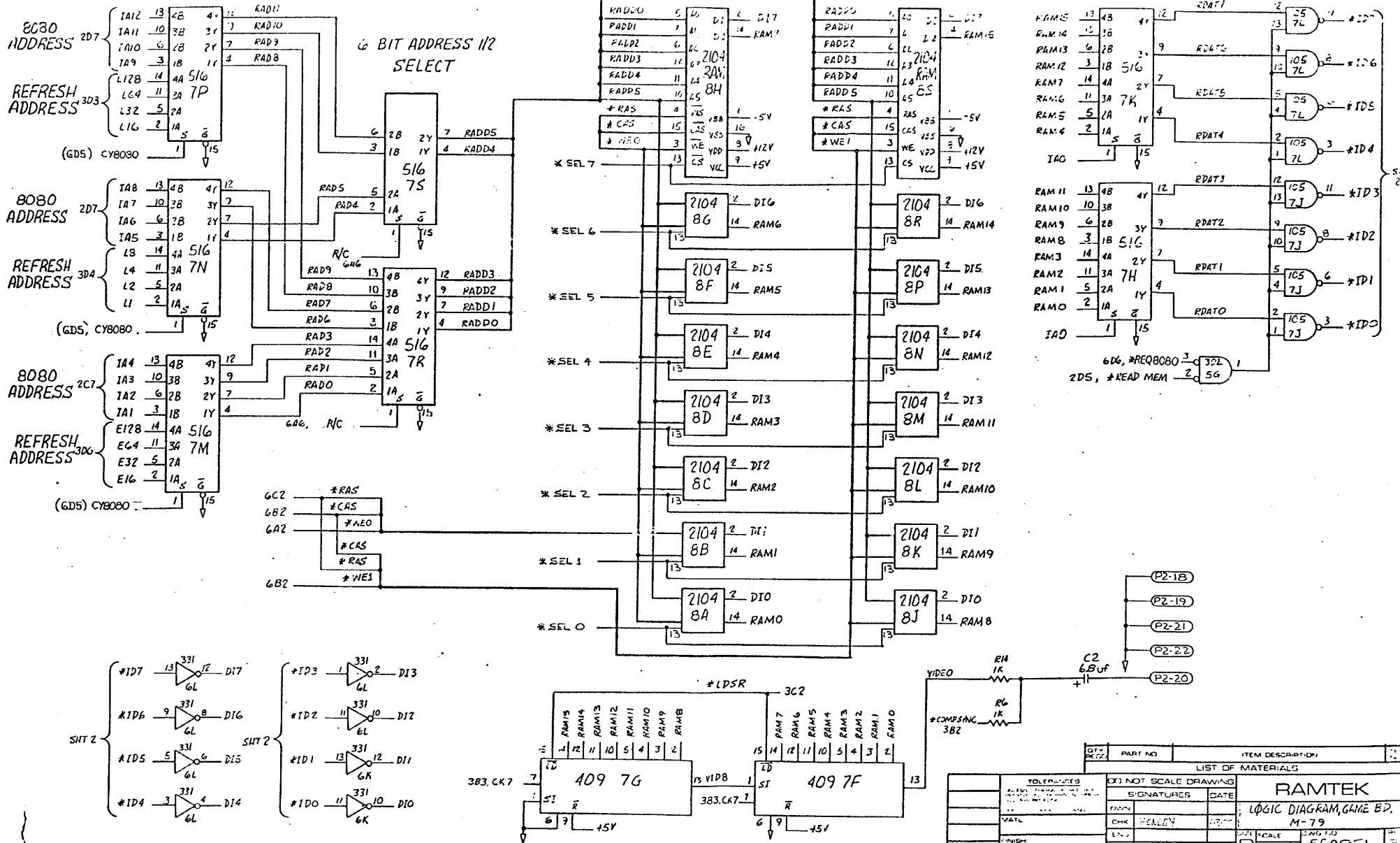
EVEN BYTE ADDRESSES

ODD BYTE ADDRESSES

BYTE SELECT

SEL 0	SEL 1	SEL 2	SEL 3	SEL 4	SEL 5	SEL 6	SEL 7
-------	-------	-------	-------	-------	-------	-------	-------

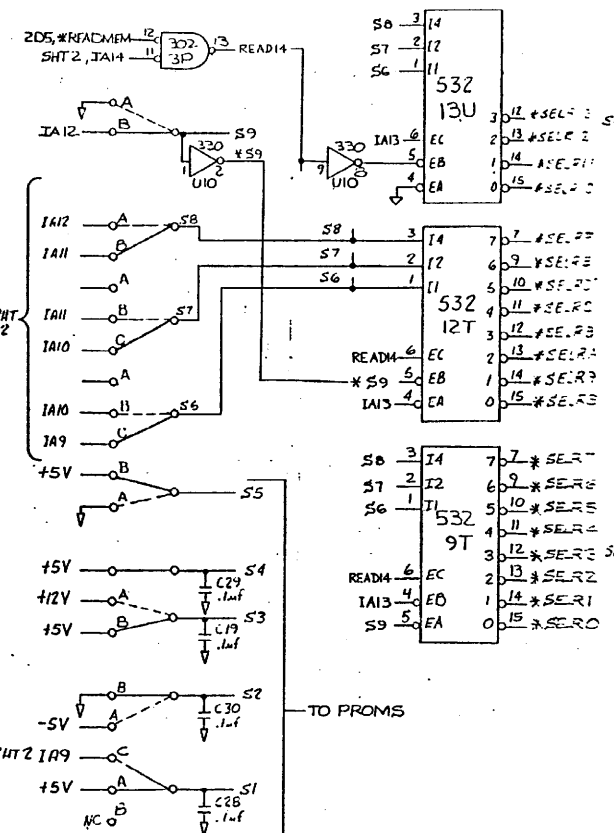
8080 INTERNAL DATA BUS

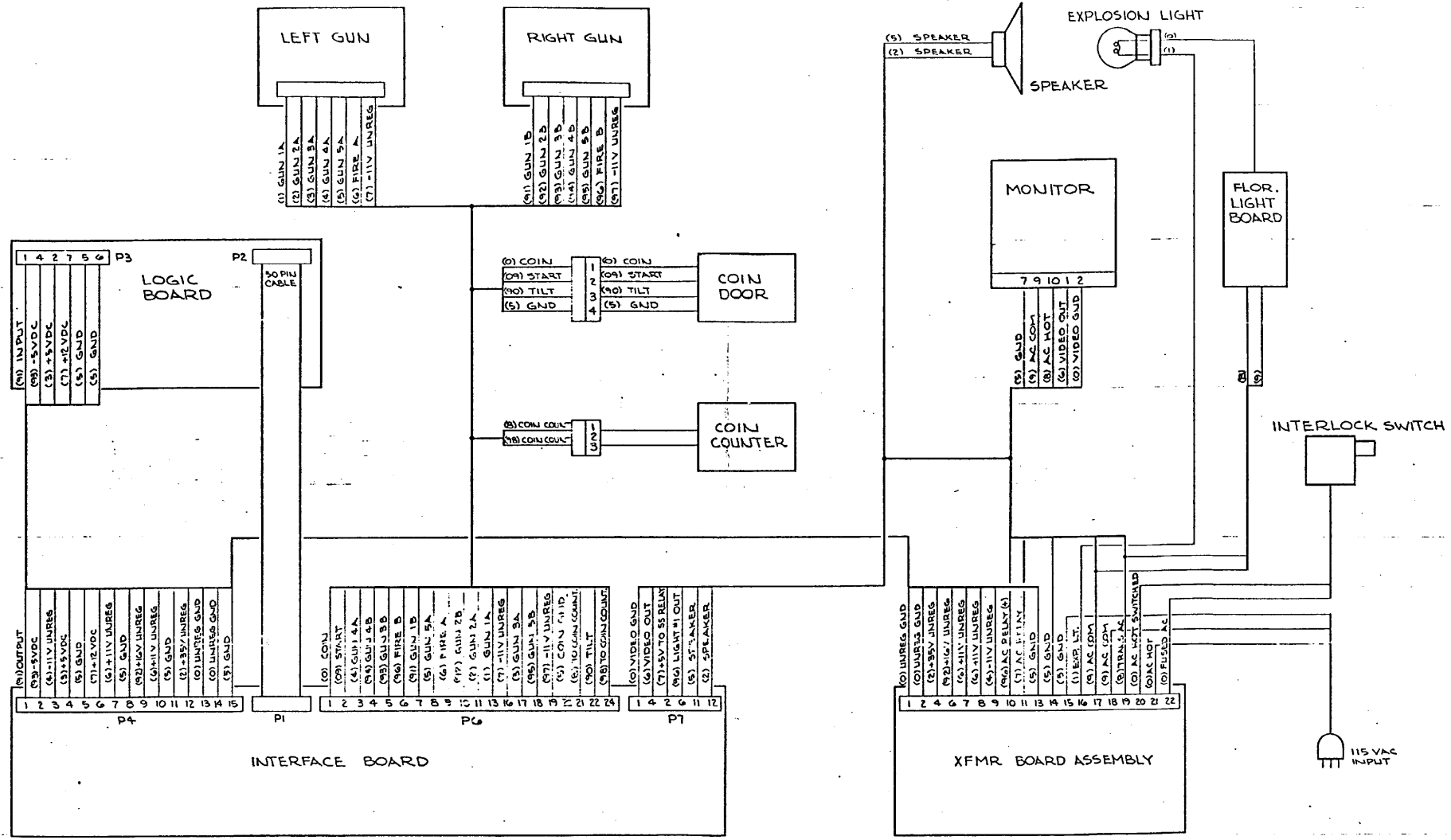


QTY	PART NO.	ITEM DESCRIPTION
LIST OF MATERIALS		
RAMTEK		
LOGIC DIAGRAM, GAME ED.		
M-79		
DATE	SCALE	DWG. NO.
DESIGNED BY	DATE	REV. NO.
CHECKED BY	DATE	REV. NO.
APPROVED BY	DATE	REV. NO.
DATE	SCALE	DWG. NO.
REV. NO.	REV. NO.	REV. NO.

DECODING

PAGE MEMORY

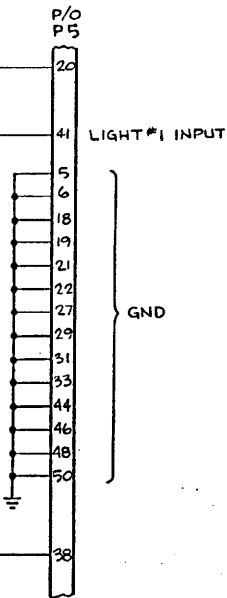
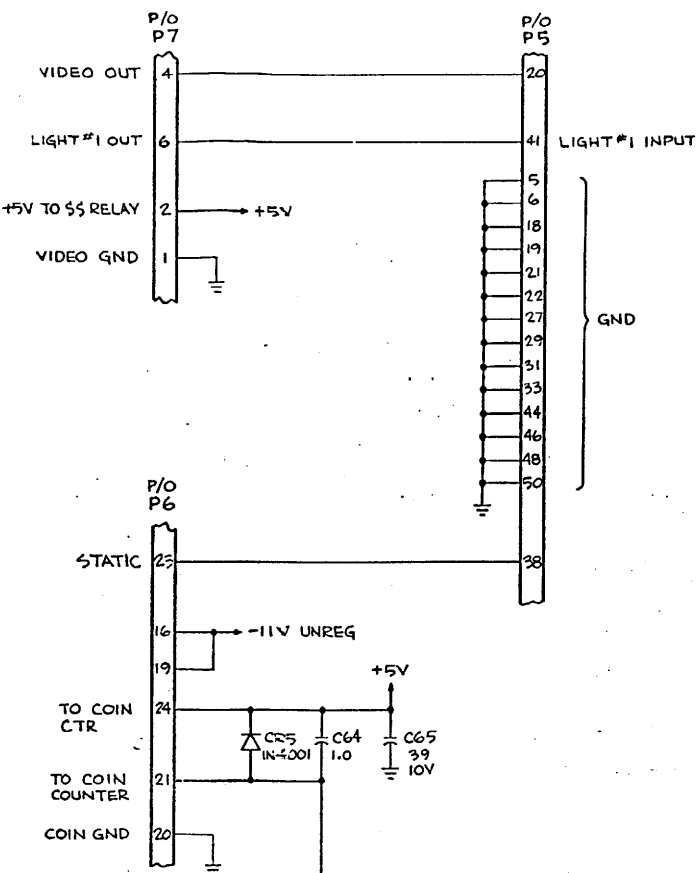
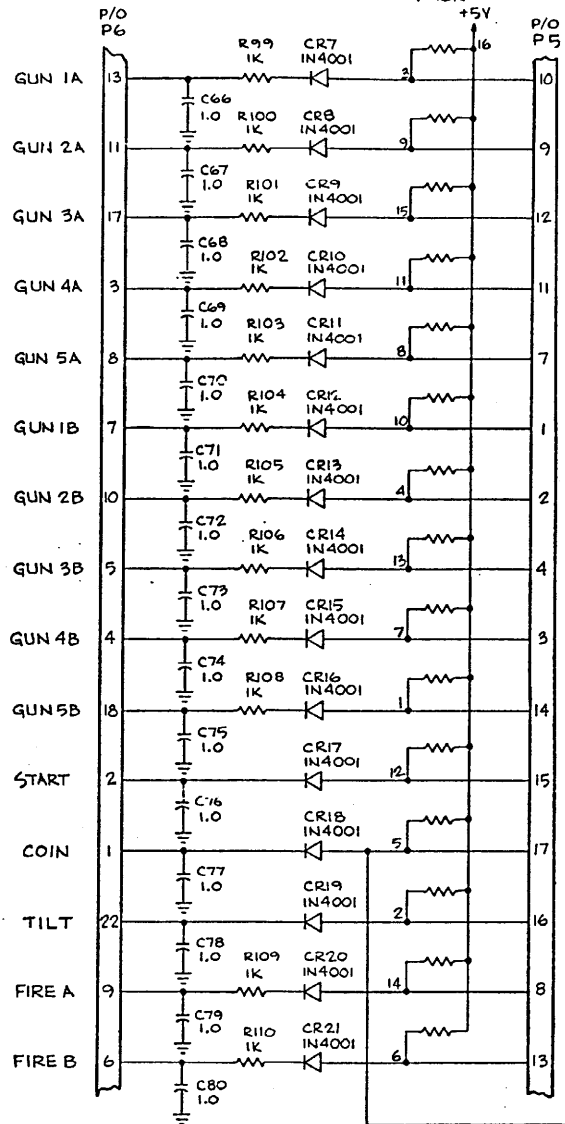




QTY REQ	PART NO.	ITEM DESCRIPTION	ITEM NO.
LIST OF MATERIALS			
RAMTEK			
SIGNATURES		DATE	
OWN	<i>[Signature]</i>	04-79	
CHK	<i>[Signature]</i>	7-579	
ENG			
APVC			
MATERIAL		SIZE	SCALE
FINISH		DWG NO.	REV
NEXT ASSY		550918	A

TOLERANCES	
UNLESS OTHERWISE SPECIFIED	DO NOT SCALE DRAWING
REMOVE ALL DIMENSIONS TO CENTER UNLESS OTHERWISE SPECIFIED	
XXX ANG	

3.3K
RESISTOR
PACK



NOTES: UNLESS OTHERWISE SPECIFIED.

1. ALL RESISTANCE VALUES IN OHMS, 1/4W±5%.
2. ALL CAPACITANCE VALUES IN MICROFARADS.
3. REF DWGS: FAB DWG 550855
ASSY DWG 550856

REV	DESCRIPTION	APPROV	DATE
A	PROTO		
B	REV PER ECO 507439		

QTY	PART NO	ITEM DESCRIPTION	ITE-NO
REQD			

TOLERANCES		DO NOT SCALE DRAWING		RAMTEK	
UNLESS OTHERWISE SPECIFIED		SIGNATURES	DATE	SCHEMATIC DIAGRAM - INTERFACE	
REMOVE ALL BURRS & DEBURR ALL SHARP EDGES.		DWN	7-27		
MATL		ENG	7-27		
550856		APPR		SCALE -	DWG NO
NEXT ASSY				5-11 052	550854
					REV B