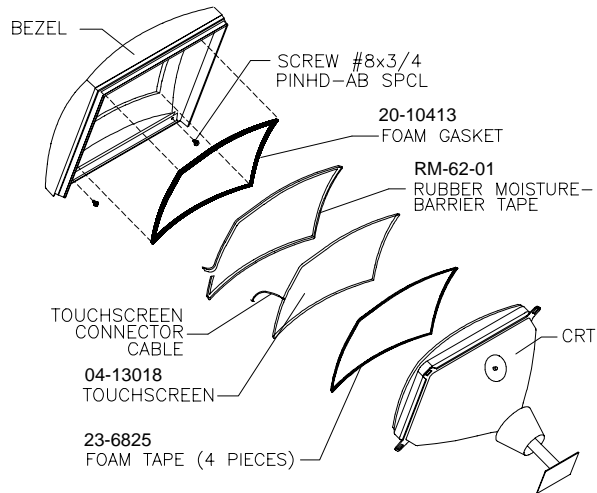


TOUCHSCREEN REPLACEMENT FOR INFINITY® COUNTERTOP MODELS

Access Touchscreen

1. Turn off AC power. Unplug line cord. Refer to original manual for details or illustrations on any of the following instructions.
2. **REAR DOOR** Insert key into Rear Door and turn 90 degrees clockwise to unlock. Remove two screws securing door. Swing door on hinge, remove, and set aside.
3. **TOP COVER** Remove three right screws from rear of Top Cover Assembly. Gently pull Top Cover Assembly downward two or three inches along slope of Base Assembly, but do not remove. Pivot Top Cover Assembly to expose fan wire. Disconnect fan wire. Remove Top Cover Assembly and set aside.
4. **DEFLECTION BRACKET** Remove Deflection Board Bracket screw nearest Coin Meter. Loosen Bracket screws holding plate on opposite side from coin meter, but do not remove. Lift rear of Bracket until spring-loaded pin near Touchscreen snaps into hole in side panel wall.
5. **TOUCHSCREEN CONTROLLER** Pry Touchscreen Controller box from Power Supply side wall and disconnect Touchscreen Connector Cable from Controller box. Unplug power connector and remove ground lug.
6. **ELECTRONICS ASSEMBLIES** Disconnect Hard Disk Drive ribbon connector. Remove screw in rear center of Electronics Tray. Grasp Tray by vertical lip at bottom. Disconnect power cables and other wiring as you slowly slide Tray out of cabinet.
7. **DEFLECTION BRACKET** Push in spring-loaded pin and swivel Bracket to down position.
8. **CRT BEZEL** Remove #8 nuts from inside bottom of CRT mounting bracket. (Do not remove nut holding cable clamp.) Hold Bezel in place while removing screws holding top of Bezel. Lift Bezel and foam gasket up and off Base Assembly.



Contents of Touchscreen Replacement Kit A-23751

04-13018 Touchscreen w/ connector cable	23-6825 Double-sided foam tape adheres Touch- screen to CRT.	RM-62-01 Rubber tape keeps moisture out of gap between Touch- screen and CRT .	20-10413 Foam Bezel Gasket fills gap between Touchscreen and Bezel.	16-10416 Sheet describes Touch- screen cleaning.	RM-42-01 and RM-43-01 Hook and Loop fastener holds Control- ler box to wall.
---	--	---	---	---	---



Remove Touchscreen

1. **TAPE** Remove moisture-barrier tape from Touchscreen edge. Hold Touchscreen in place as you do this to prevent it from falling. Note that Touchscreen cable is near coin slot.
2. Separate Touchscreen from CRT.
3. Peel foam tape from CRT perimeter.
4. **CRT** Clean CRT by applying a mixture of isopropyl alcohol and water to a clean cloth or sponge. Do not apply cleaner directly on glass.
5. Remove foam gasket from Bezel.

Mount New Touchscreen

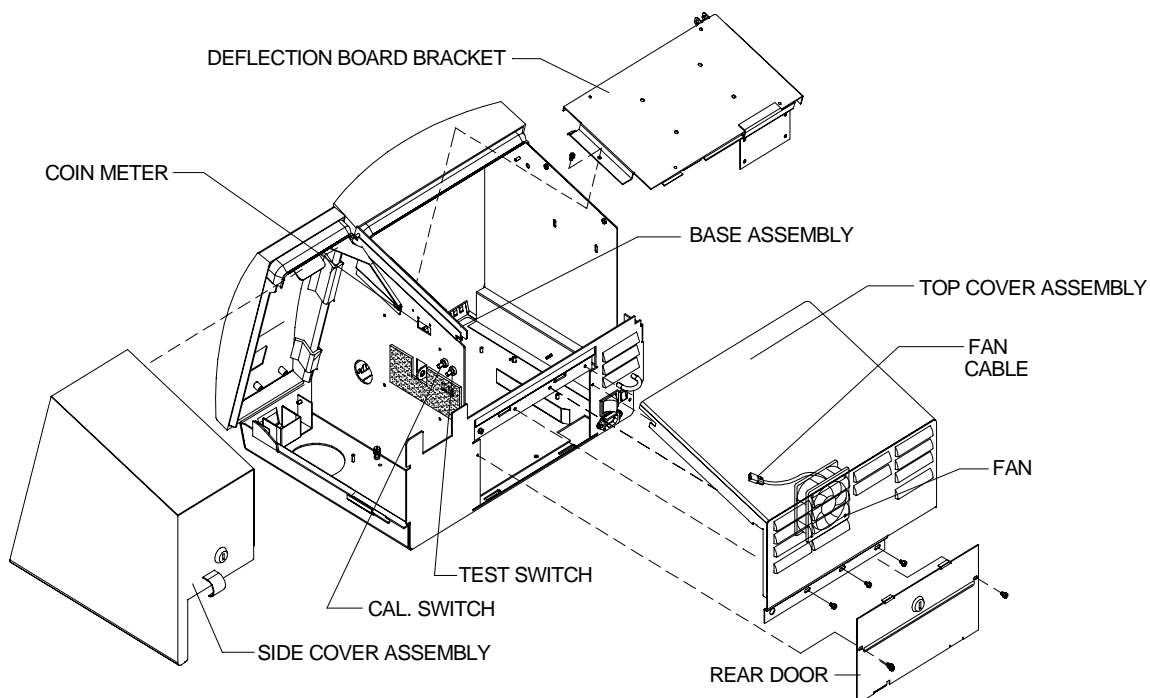
1. **KIT** Unpack contents of replacement kit.
2. Install new foam gasket inside Bezel.
3. **TAPE** Remove foam tape backing and place on perimeter of CRT. Route cable past CRT.
4. **TOUCHSCREEN** Hold Touchscreen by edges and clean with alcohol. Orient cable toward coin slot. Press firmly against foam tape to set adhesive.
5. Carefully seal edges where Touchscreen meets CRT with rubber moisture-barrier tape.
6. Place Bezel and foam gasket back on cabinet.
7. Pivot Deflection Board, if needed. If hook-and-loop fastener holding Touchscreen Controller box to side wall is in disrepair, replace. Connect Touchscreen Connector into Touchscreen Controller box. Plug in power connector and ground lug. Reattach Controller box to side wall. Lower Deflection Board, if needed.

Replace Components

1. **BEZEL** Reinstall top screw and nut near coin slot, then top screw and nut on opposite side from coin slot. Reinstall lower screws and nut in any order.
2. **ELECTRONICS TRAY** Reconnect wires to Electronics Assembly and slide Tray in cabinet. Fasten with screw in rear center of Tray. Reconnect Hard Disk Drive ribbon connector.
3. **TOP COVER ASSEMBLY** Align Top Cover on Base Assembly close enough to reattach fan cable. Slide Top Cover Assembly fully onto Base Assembly. Take care not to pinch fan cable. Fasten and tighten three screws.
4. **REAR DOOR** Insert bottom hinges of Door and swing closed. Turn key 90 degrees counterclockwise to lock. Reinstall screws.

Calibrate Touchscreen

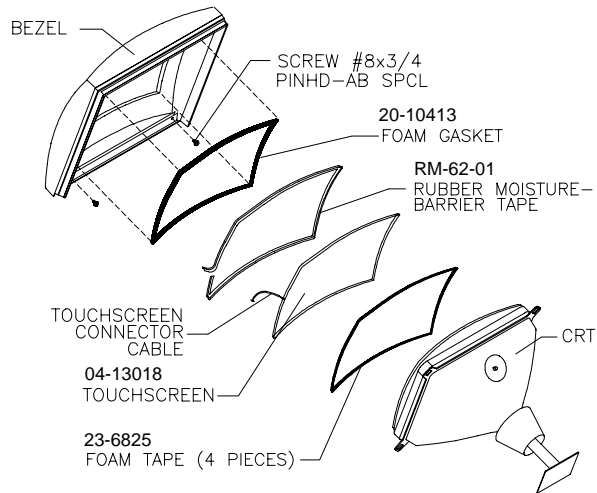
1. Plug in line cord and turn AC power on.
2. **SIDE COVER** Insert key into rear lock of Side Cover Assembly and turn 90 degrees to unlock. Grasp hook and pull down along slope of Base Assembly. Set Cover aside.
3. Press CAL. pushbutton to calibrate and test new Touchscreen.
4. **TOP COVER** Slide Cover back onto Base Assembly. Turn key 90 degrees clockwise to lock.
5. If Touchscreen does not work, refer to Troubleshooting Chapter of original manual.



TOUCHSCREEN REPLACEMENT FOR INFINITY® COUNTERTOP MODELS

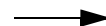
Access Touchscreen

1. Turn off AC power. Unplug line cord. Refer to original manual for details or illustrations on any of the following instructions.
2. **REAR DOOR** Insert key into Rear Door and turn 90 degrees clockwise to unlock. Remove two screws securing door. Swing door on hinge, remove, and set aside.
3. **TOP COVER** Remove three right screws from rear of Top Cover Assembly. Gently pull Top Cover Assembly downward two or three inches along slope of Base Assembly, but do not remove. Pivot Top Cover Assembly to expose fan wire. Disconnect fan wire. Remove Top Cover Assembly and set aside.
4. **DEFLECTION BRACKET** Remove Deflection Board Bracket screw nearest Coin Meter. Loosen Bracket screws holding plate on opposite side from coin meter, but do not remove. Lift rear of Bracket until spring-loaded pin near Touchscreen snaps into hole in side panel wall.
5. **TOUCHSCREEN CONTROLLER** Pry Touchscreen Controller box from Power Supply side wall and disconnect Touchscreen Connector Cable from Controller box. Unplug power connector and remove ground lug.
6. **ELECTRONICS ASSEMBLIES** Disconnect Hard Disk Drive ribbon connector. Remove screw in rear center of Electronics Tray. Grasp Tray by vertical lip at bottom. Disconnect power cables and other wiring as you slowly slide Tray out of cabinet.
7. **DEFLECTION BRACKET** Push in spring-loaded pin and swivel Bracket to down position.
8. **CRT BEZEL** Remove #8 nuts from inside bottom of CRT mounting bracket. (Do not remove nut holding cable clamp.) Hold Bezel in place while removing screws holding top of Bezel. Lift Bezel and foam gasket up and off Base Assembly.



Contents of Touchscreen Replacement Kit A-23751

04-13018 Touchscreen w/ connector cable	23-6825 Double-sided foam tape adheres Touch- screen to CRT.	RM-62-01 Rubber tape keeps moisture out of gap between Touch- screen and CRT .	20-10413 Foam Bezel Gasket fills gap between Touchscreen and Bezel.	16-10416 Sheet describes Touch- screen cleaning.	RM-42-01 and RM-43-01 Hook and Loop fastener holds Control- ler box to wall.
---	--	---	---	---	---



Remove Touchscreen

1. **TAPE** Remove moisture-barrier tape from Touchscreen edge. Hold Touchscreen in place as you do this to prevent it from falling. Note that Touchscreen cable is near coin slot.
2. Separate Touchscreen from CRT.
3. Peel foam tape from CRT perimeter.
4. **CRT** Clean CRT by applying a mixture of isopropyl alcohol and water to a clean cloth or sponge. Do not apply cleaner directly on glass.
5. Remove foam gasket from Bezel.

Mount New Touchscreen

1. **KIT** Unpack contents of replacement kit.
2. Install new foam gasket inside Bezel.
3. **TAPE** Remove foam tape backing and place on perimeter of CRT. Route cable past CRT.
4. **TOUCHSCREEN** Hold Touchscreen by edges and clean with alcohol. Orient cable toward coin slot. Press firmly against foam tape to set adhesive.
5. Carefully seal edges where Touchscreen meets CRT with rubber moisture-barrier tape.
6. Place Bezel and foam gasket back on cabinet.
7. Pivot Deflection Board, if needed. If hook-and-loop fastener holding Touchscreen Controller box to side wall is in disrepair, replace. Connect Touchscreen Connector into Touchscreen Controller box. Plug in power connector and ground lug. Reattach Controller box to side wall. Lower Deflection Board, if needed.

Replace Components

1. **BEZEL** Reinstall top screw and nut near coin slot, then top screw and nut on opposite side from coin slot. Reinstall lower screws and nut in any order.
2. **ELECTRONICS TRAY** Reconnect wires to Electronics Assembly and slide Tray in cabinet. Fasten with screw in rear center of Tray. Reconnect Hard Disk Drive ribbon connector.
3. **TOP COVER ASSEMBLY** Align Top Cover on Base Assembly close enough to reattach fan cable. Slide Top Cover Assembly fully onto Base Assembly. Take care not to pinch fan cable. Fasten and tighten three screws.
4. **REAR DOOR** Insert bottom hinges of Door and swing closed. Turn key 90 degrees counterclockwise to lock. Reinstall screws.

Calibrate Touchscreen

1. Plug in line cord and turn AC power on.
2. **SIDE COVER** Insert key into rear lock of Side Cover Assembly and turn 90 degrees to unlock. Grasp hook and pull down along slope of Base Assembly. Set Cover aside.
3. Press CAL. pushbutton to calibrate and test new Touchscreen.
4. **TOP COVER** Slide Cover back onto Base Assembly. Turn key 90 degrees clockwise to lock.
5. If Touchscreen does not work, refer to Troubleshooting Chapter of original manual.

