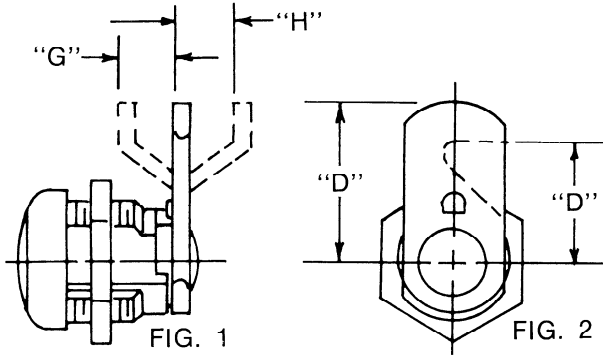
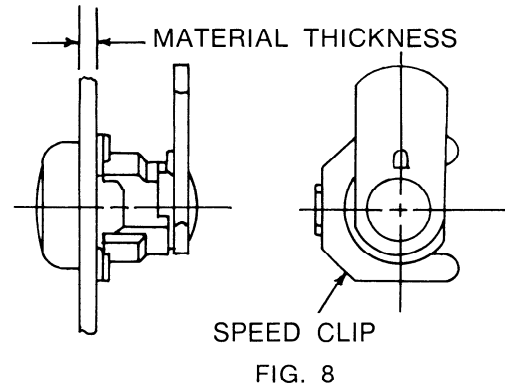


GENERAL INFORMATION

CAM LOCKS



Use the letter "G" or "H" to designate the required cam offset in or out. Use the letter "D" to designate the length of either a straight or offset cam or a hook-type cam.



Finishes

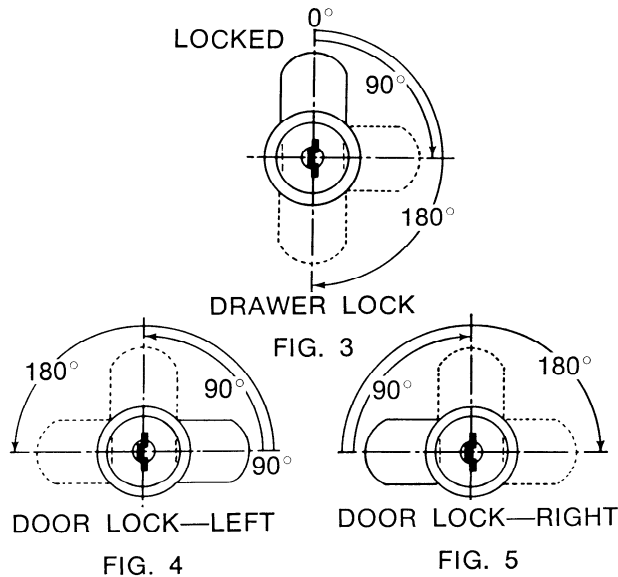
Finishes are a very important part of quality hardware, and we take particular pride in the high standard of our lock finishes.

Standard Finishes

Bright Brass	US3
Satin Brass	US4
Bright Nickel	US14
Satin Nickel	US15
Bright Chrome	US26
Satin Chrome	US26D

Special Finishes

Bright Bronze	US9
Satin Bronze	US10
Old English	US8
Statuary Bronze	US20
Black	US18



The above drawings indicate standard key and cam rotation for "Drawer" and right and left hand "Door" locks. A 90° turn normally provides for the key to be removed in the locked position only, and the 180° turn provides for the key to be removed when locked or unlocked. Locks can be furnished with a 90° turn, key withdrawing in both locked and unlocked positions.

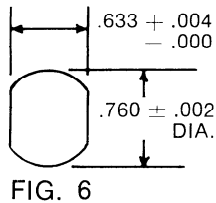


FIG. 6

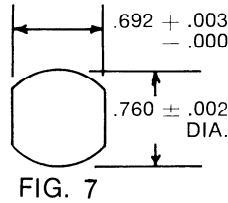


FIG. 7

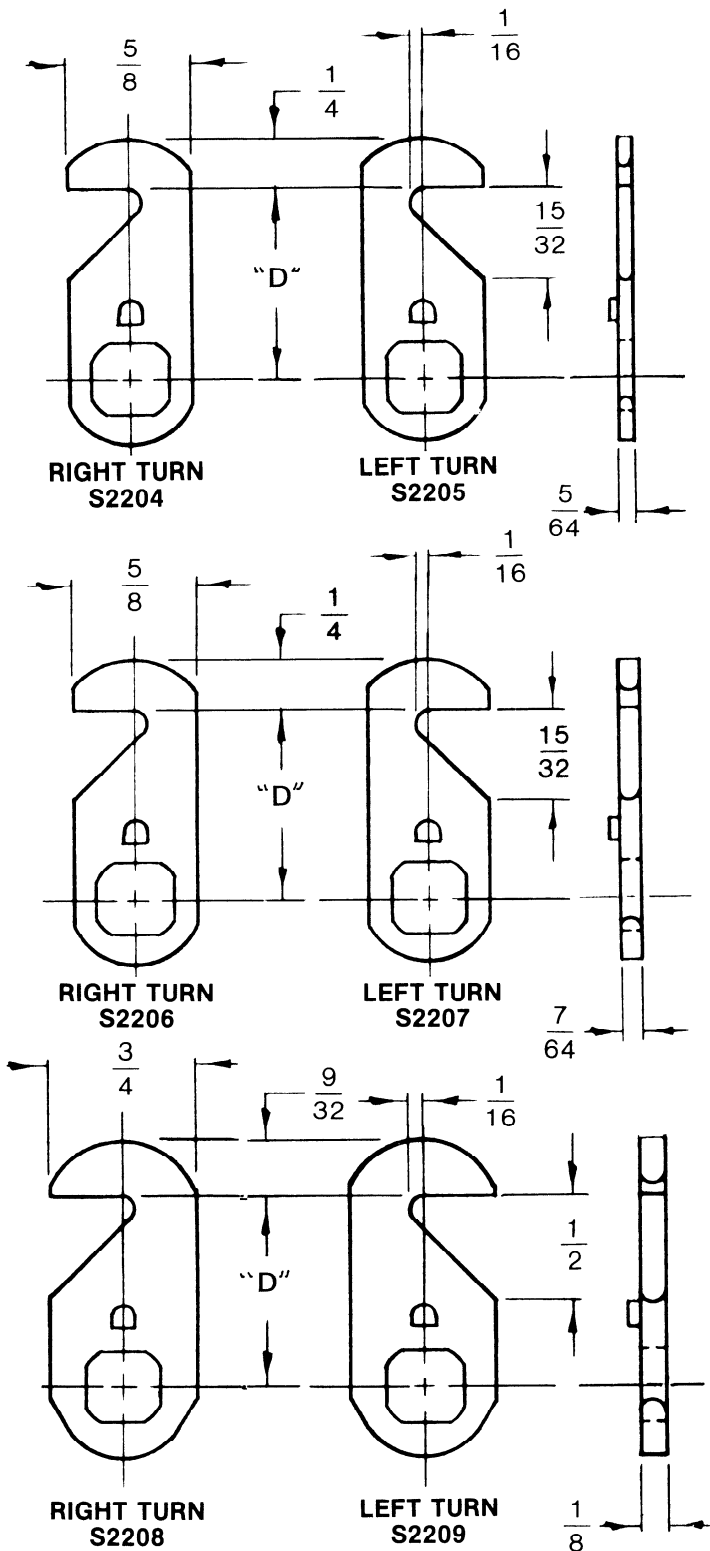
Recommended Application Hole Sizes

Fig. 6—For all 180° turn locks. For all 90° turn locks with key withdrawal in locked position only. For type "E", "F" & "G" mechanism 90° turn locks, with key withdrawal in locked and unlocked positions.

Fig. 7—For all 90° turn locks with key withdrawal in locked and unlocked positions. (Except "E", "F" & "G" mechanism locks.)

Ordering Instructions For Cam Locks

1. Lock Model Number—indicates mechanism type and cylinder length—"B" dimension.
2. "D" dimension—cam length. (See fig. 2) standard straight cam "D" lengths are: 7/8", 1", 1 1/8", 1 1/4", 1 3/8" and 1 1/2".
3. "G" or "H" dimension—cam offset (See fig. 1).
4. Locked cam position—0°, 90°, or 270° (See fig. 3, 4, and 5).
5. Determine cam rotation—90° or 180°.
6. Number of keys required.
7. Determine key change specification—keyed alike, master keyed, etc.
8. Determine whether or not key number is to be put on the lock. (Plug face, barrel flat, or cam)
9. Lock finish—(see above)
10. If assembly "speed clip" is required instead of nut mounting, specify the thickness of the metal panel on which the lock is to be assembled. (See fig. 8)



The following cams are available from stock. Inquire about other hook cam requirements.

S2204/S2205 SERIES

Light duty cam for fixed style cam locks and locks of lower security.

STANDARD HOOK CAMS		
PART NUMBER		"D" DIM.
RIGHT TURN	LEFT TURN	
S2204-13	S2205-13	7/8
S2204-17	S2205-17	1
S2204-19	S2205-19	1 1/8
S2204-21	S2205-21	1 1/4
S2204-25	S2205-25	1 1/2

S2206/S2207 SERIES

Medium duty cam for fixed style cam locks and locks of medium security.

STANDARD HOOK CAMS		
PART NUMBER		"D" DIM.
RIGHT TURN	LEFT TURN	
S2206-13	S2207-13	7/8
S2206-17	S2207-17	1
S2206-19	S2207-19	1 1/8
S2206-21	S2207-21	1 1/4
S2206-25	S2207-25	1 1/2

S2208/S2209 SERIES

Heavy duty cam for removable style cam locks and locks of medium or high security.

STANDARD HOOK CAMS		
PART NUMBER		"D" DIM.
RIGHT TURN	LEFT TURN	
S2208-13	S2209-13	7/8
S2208-17	S2209-17	1
S2208-19	S2209-19	1 1/8
S2208-21	S2209-21	1 1/4
S2208-25	S2209-25	1 1/2

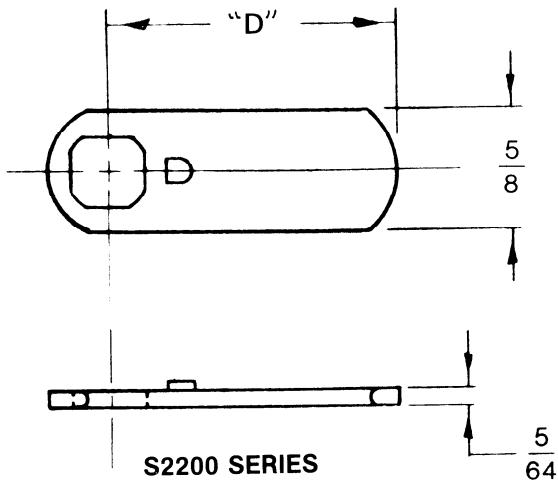
SPECIFICATIONS

CAMS - STRAIGHT

The following cams are available from stock. Inquire about other length requirements.

S2200 SERIES

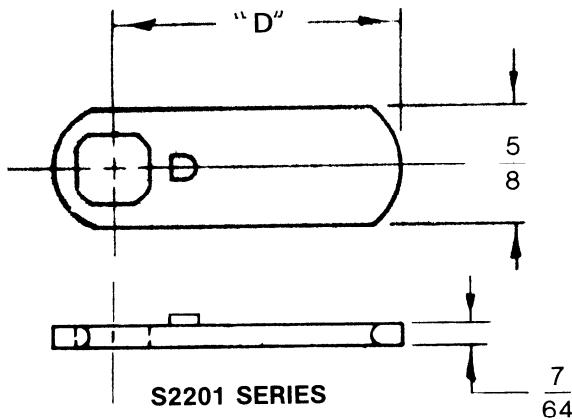
Light duty cam for fixed style cam locks and locks of lower security.



STANDARD CAM LENGTHS	
PART NO.	"D" DIM.
S2200-13	7/8
S2200-17	1
S2200-19	1 1/8
S2200-21	1 1/4
S2200-23	1 3/8
S2200-25	1 1/2

S2201 SERIES

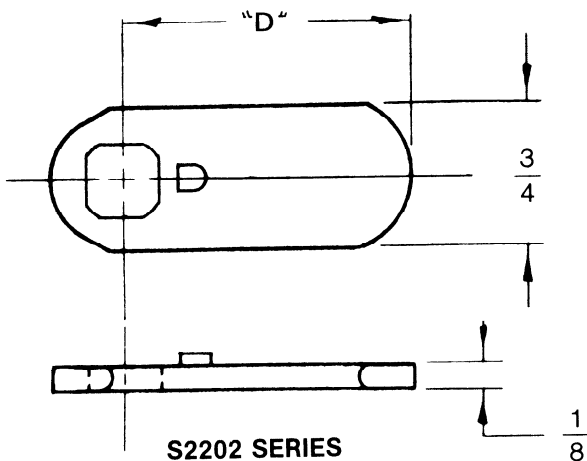
Medium duty cam for fixed style cam locks and locks of medium security.



STANDARD CAM LENGTHS	
PART NO.	"D" DIM.
S2201-13	7/8
S2201-17	1
S2201-19	1 1/8
S2201-21	1 1/4
S2201-23	1 3/8
S2201-25	1 1/2

S2202 SERIES

Heavy duty cam for removable style cam locks and locks of medium or high security.

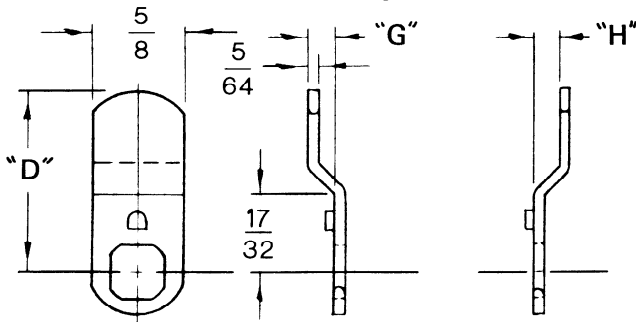


STANDARD CAM LENGTHS	
PART NO.	"D" DIM.
S2202-13	7/8
S2202-17	1
S2202-19	1 1/8
S2202-21	1 1/4
S2202-23	1 3/8
S2202-25	1 1/2

The following cams are available from stock. Inquire about other lengths or offset requirements.

F2200/F2230 SERIES

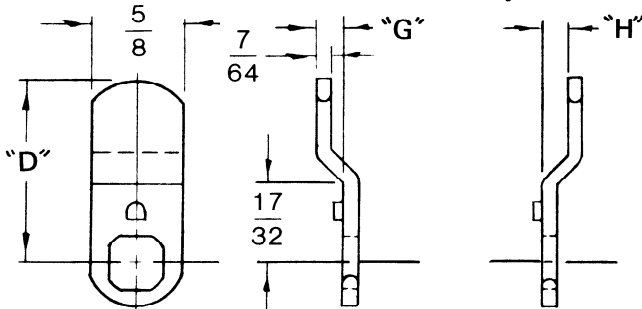
Light duty cam for fixed style cam locks and locks of lower security.



FORMED IN FORMED OUT
F2200 -F2230

F2201/F2231 SERIES

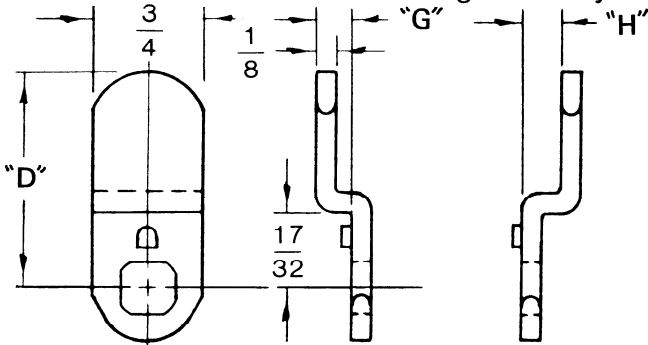
Medium duty cam for fixed style cam locks and locks of medium security.



FORMED IN FORMED OUT
F2201 F2231

F2202/F2232 SERIES

Heavy duty cam for removable style cam locks and locks of medium or high security.



FORMED IN FORMED OUT
F2202 -F2232

STANDARD OFFSET CAMS			
PART NUMBER		"G"/"H"	"D"
FORMED IN	FORMED OUT	DIM.	DIM.
F2200-13-02	F2230-13-02	1/16	7/8
F2200-17-02	F2230-17-02	1/16	1
F2200-21-02	F2230-21-02	1/16	1 1/4
F2200-13-04	F2230-13-04	1/8	7/8
F2200-17-04	F2230-17-04	1/8	1
F2200-21-04	F2230-21-04	1/8	1 1/4
F2200-13-06	F2230-13-06	3/16	7/8
F2200-17-06	F2230-17-06	3/16	1
F2200-21-06	F2230-21-06	3/16	1 1/4
F2200-15-08	F2230-15-08	1/4	15/16
F2200-19-08	F2230-19-08	1/4	1 1/8
F2200-21-08	F2230-21-08	1/4	1 1/4

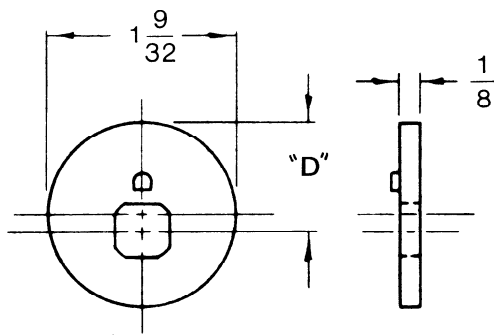
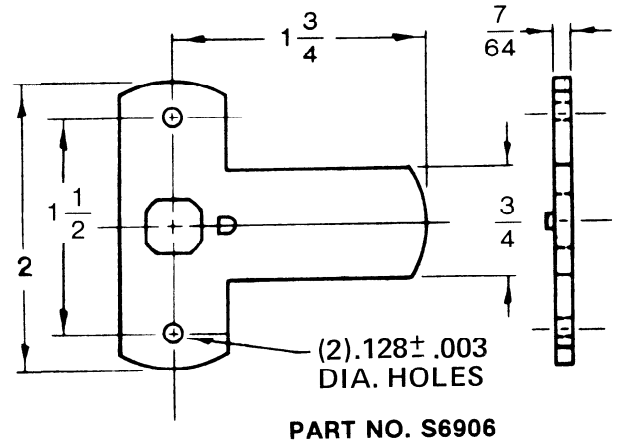
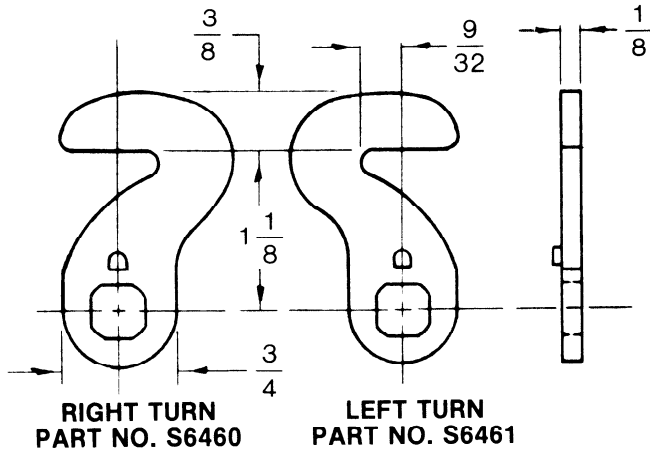
STANDARD OFFSET CAMS			
PART NUMBER		"G"/"H"	"D"
FORMED IN	FORMED OUT	DIM.	DIM.
F2201-13-02	F2231-13-02	1/16	7/8
F2201-17-02	F2231-17-02	1/16	1
F2201-21-02	F2231-21-02	1/16	1 1/4
F2201-13-04	F2231-13-04	1/8	7/8
F2201-17-04	F2231-17-04	1/8	1
F2201-21-04	F2231-21-04	1/8	1 1/4
F2201-13-06	F2231-13-06	3/16	7/8
F2201-17-06	F2231-17-06	3/16	1
F2201-21-06	F2231-21-06	3/16	1 1/4
F2201-15-08	F2231-15-08	1/4	15/16
F2201-19-08	F2231-19-08	1/4	1 1/8
F2201-21-08	F2231-21-08	1/4	1 1/4

STANDARD OFFSET CAMS			
PART NUMBER		"G"/"H"	"D"
FORMED IN	FORMED OUT	DIM.	DIM.
F2202-17-04	F2232-17-04	1/8	1
F2202-21-04	F2232-21-04	1/8	1 1/4
F2202-25-04	F2232-25-04	1/8	1 1/2
F2202-17-08	F2232-17-08	1/4	1
F2202-21-08	F2232-21-08	1/4	1 1/4
F2202-25-08	F2232-25-08	1/4	1 1/2
F2202-17-12	F2232-17-12	3/8	1
F2202-21-12	F2232-21-12	3/8	1 1/4
F2202-25-12	F2232-25-12	3/8	1 1/2
F2202-17-16	F2232-17-16	1/2	1
F2202-21-16	F2232-21-16	1/2	1 1/4
F2202-25-16	F2232-25-16	1/2	1 1/2

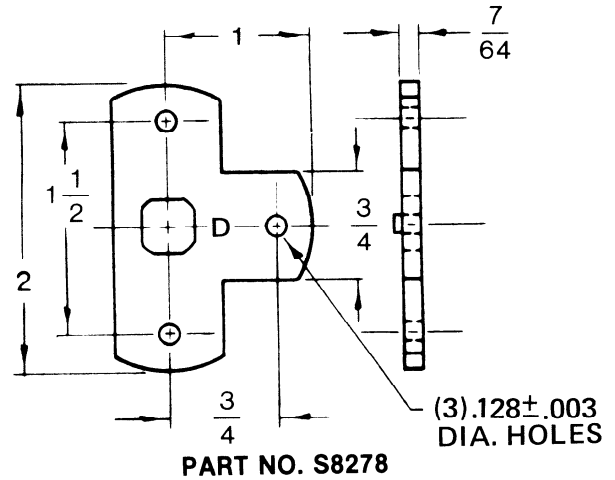
SPECIFICATIONS

CAMS - SPECIAL

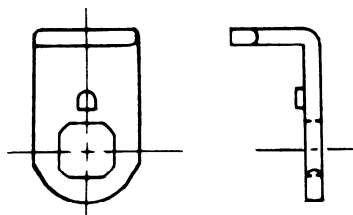
The following special purpose cams are available from stock. Submit your sketch or blueprint of other requirements or variations of those shown.



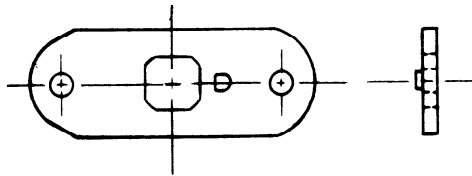
PART NO.	"D" DIM.
S8484	49/64
S6128	53/64



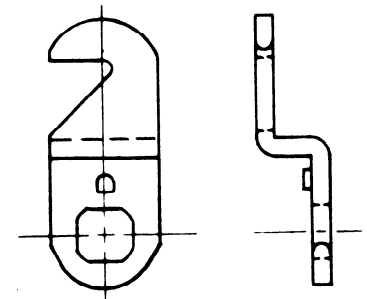
Many variations of standard cams are also available. The three styles shown below are typical examples. Submit your sketch or blueprints.



Cam Formed One Angle
STYLE A-1

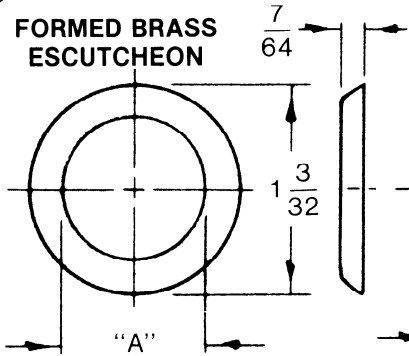


Double End Cams With Or Without Holes
STYLE B-1

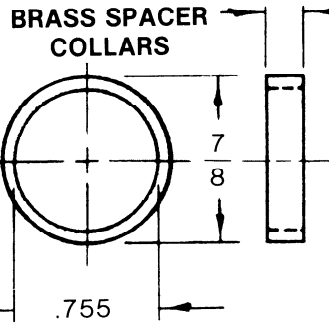


Hook Cam - Offset
STYLE C-1

ESCUTCHEONS-COLLARS



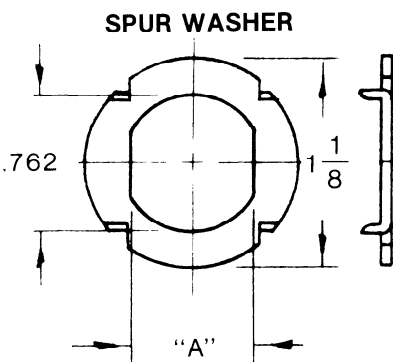
PART NO.	"A" DIM.
B2301A	.761
B2301B	.826



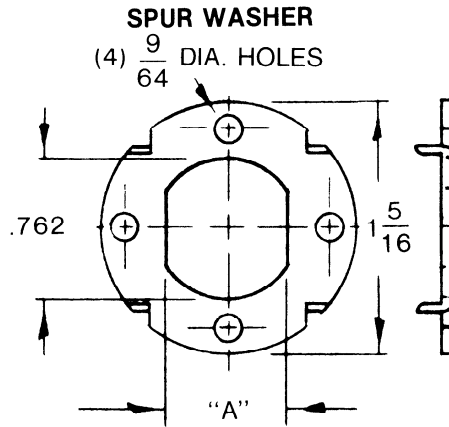
USED TO REDUCE THE "B" DIMENSION OF CAM TYPE LOCKS.

PART NO.	"A" DIM.	PART NO.	"A" DIM.
B2330A	1/32	B2330G	5/16
B2330B	1/16	B2330H	3/8
B2330C	3/32	B2330J	7/16
B2330D	1/8	B2330K	1/2
B2330E	3/16	B2330L	9/16
B2330F	1/4	B2330M	23/32

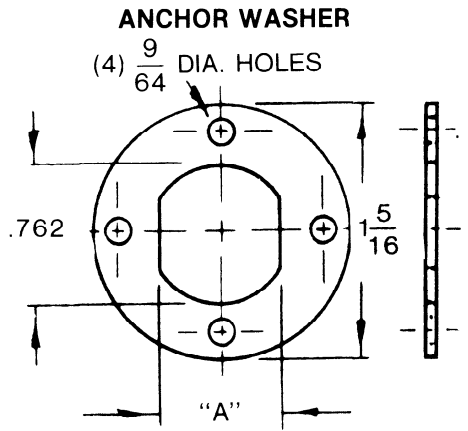
WASHERS



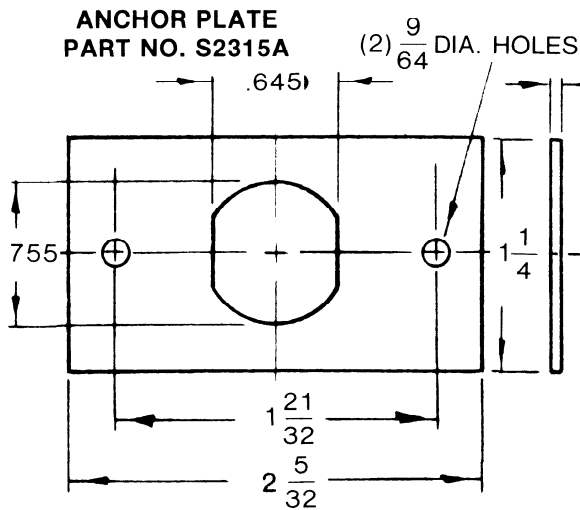
PART NO.	"A" DIM.
S2302A	.640
S2302C	.696



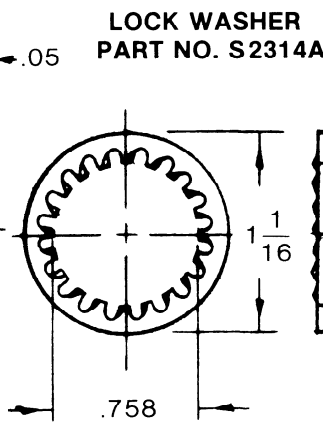
PART NO.	"A" DIM.
S2302B	.640
S2302D	.696



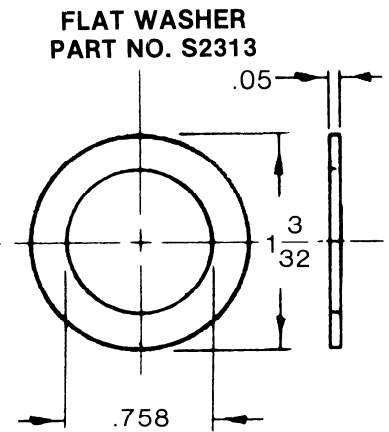
PART NO.	"A" DIM.
S6951	.640
S6941	.696



ANCHOR PLATE
PART NO. S2315A



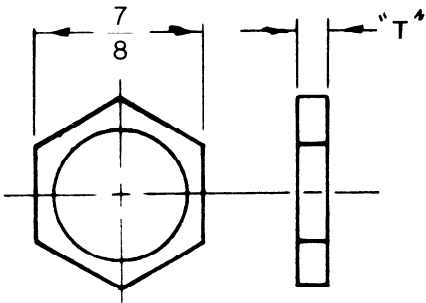
LOCK WASHER
PART NO. S2314A



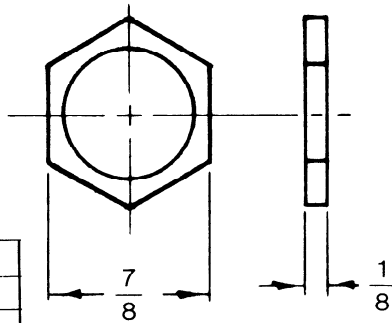
FLAT WASHER
PART NO. S2313

HEX NUTS

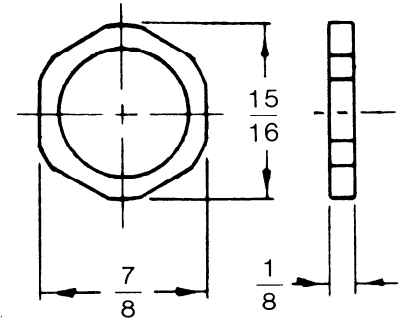
3/4 - 32 THREAD



**3/4 - 27 THREAD
PART NO. S2333B**

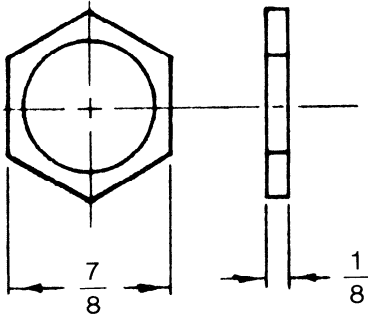


**3/4 - 24 THREAD
PART NO. S2335B**

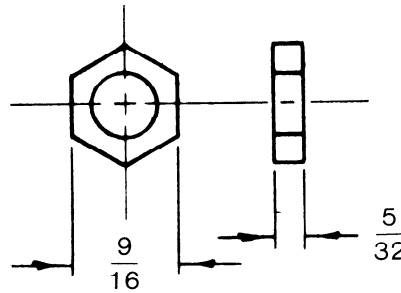


PART NO.	MAT'L	"T" DIM.
S2300A	STEEL	5/32
B2300A	BRASS	5/32
S2300B	STEEL	1/8

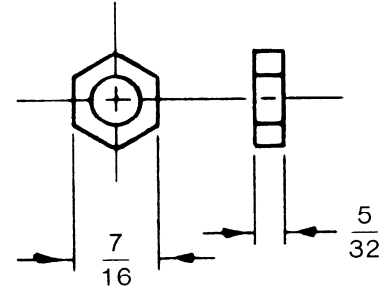
**3/4 - 24 THREAD
PART NO. S2335C**



**3/8 - 24 THREAD
PART NO. S2327**

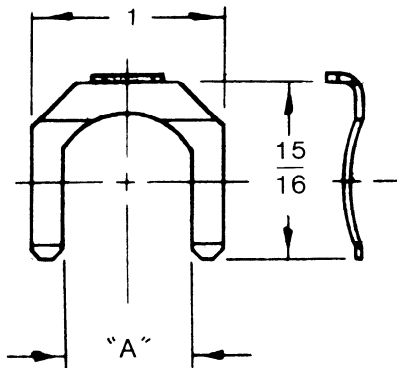


**9/32 - 28 THREAD
PART NO. S8176**



SCREWS — CLIPS

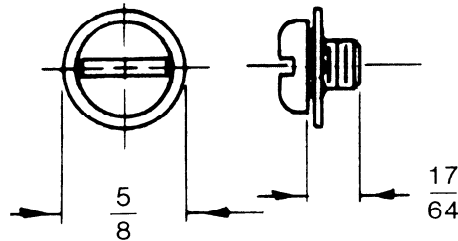
LOCK RETAINER CLIPS



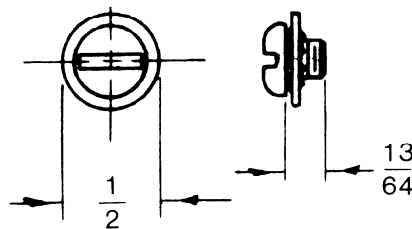
PART NO.	"A" DIM.
HS2304A	.635
HS2304B	.683

**CAM RETAINING SCREWS
1/4 - 28**

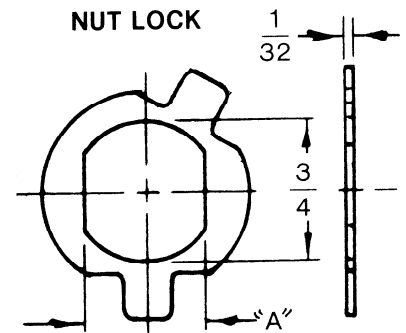
PART NO. S2303



**10 - 32
PART NO. S2306**



NUT LOCK



PART NO.	"A" DIM.
S9003	.696
S9003A	.635

USED TO SECURE
LOCK MOUNTING NUTS