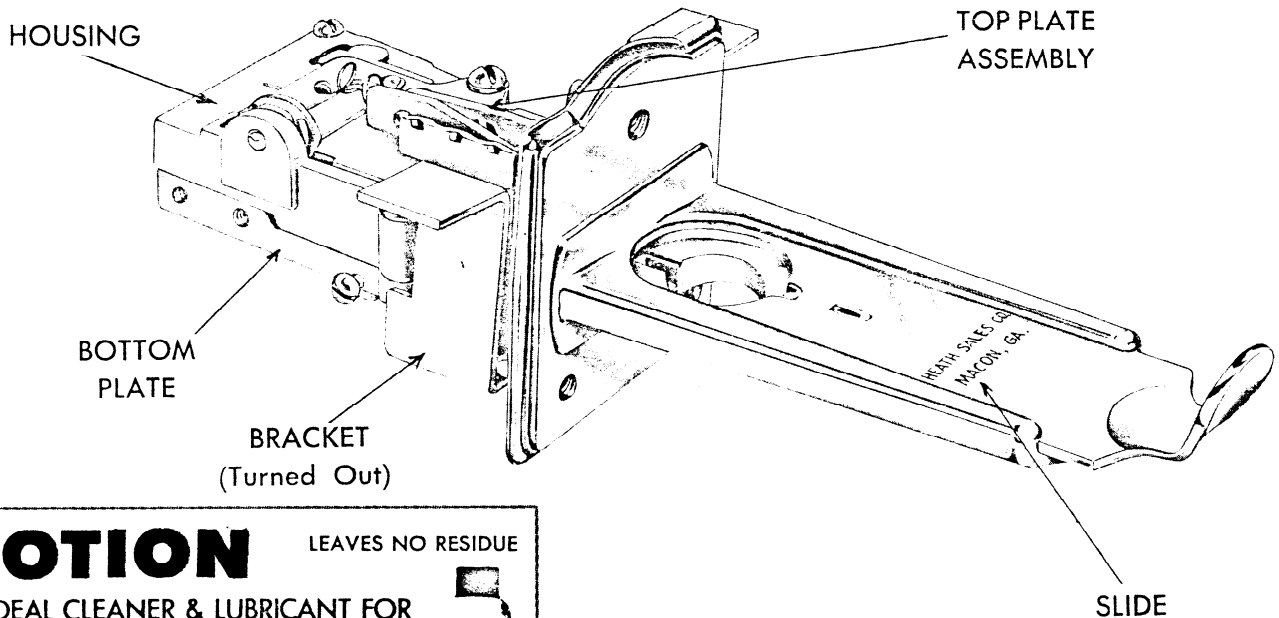


**SERVICE
INSTRUCTIONS
FOR THE
NO. 95-M
HEATH-MONARCH
COIN CHUTE**

**1¢ - 2¢ - 5¢ - 10¢ - 25¢
Models**

All Coin chutes should be cleaned when they get full of dirt, dried out oil residue, oxidation, etc. Soak chutes in a pan of mineral spirits or a similar petroleum base solvent, for two hours or more, then brush dirty parts with a clean small paint brush to remove loosened dirt. After cleaning good, let dry and squirt a little *"Motion" on moving parts. CHUTES CAN USUALLY BE CLEANED WITHOUT BEING DISMANTLED.




MOTION LEAVES NO RESIDUE

THE IDEAL CLEANER & LUBRICANT FOR YOUR GUMMED-UP COIN CHUTES.

Frees Up Coin Chutes Frozen By Corrosion **\$1.69 POST PAID**

In aerosol can. Satisfaction guaranteed or your money back.



* Write for descriptive literature on "MOTION"

*Home of Original Ideas
in Coin Chute Design*