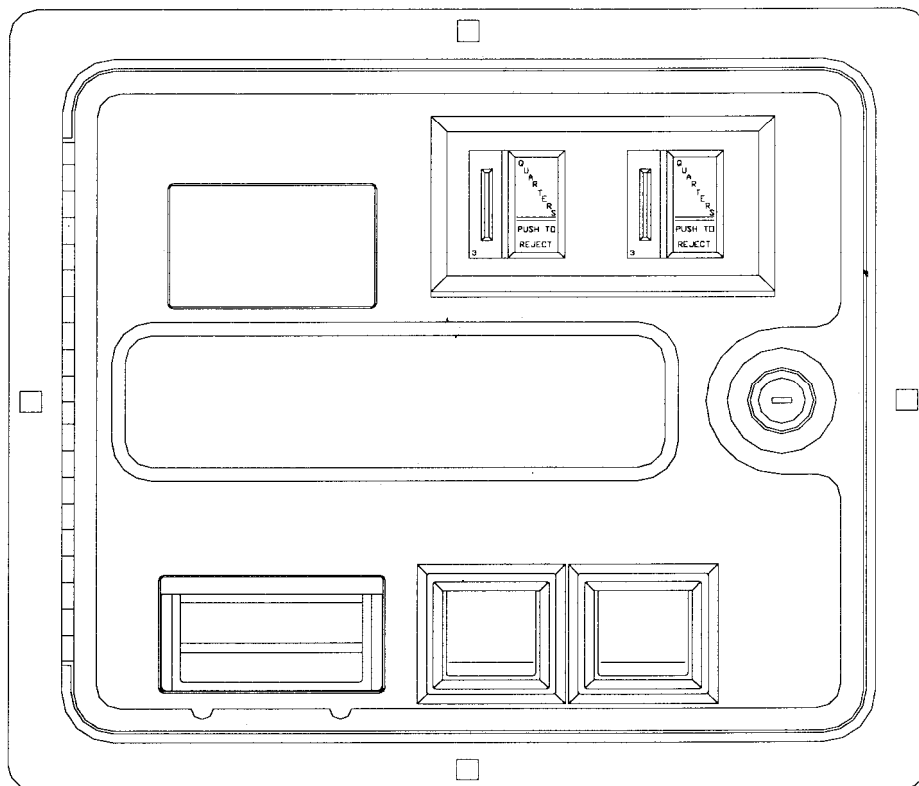


WILLIAMS PINBALL

DOLLAR BILL VALIDATOR & UP-STACKER
FIELD INSTALLATION INSTRUCTIONS



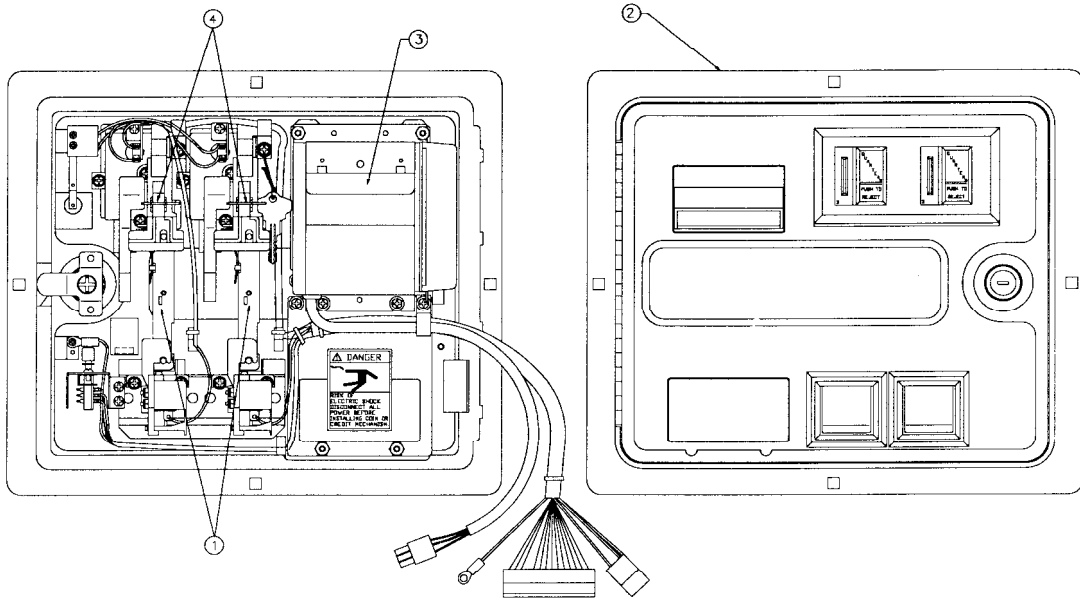
09-61000-1 UNIVERSAL COIN DOOR
MADE BY ENTROPY FOR WILLIAMS

The instructions in this booklet are for the following manufacturer recommended
DBVs and up-stacker.

DOLLAR BILL VALIDATORS
MARS VFM2-L1
COIN BILL VALIDATOR IVO
TEKBILT NV100-GA1

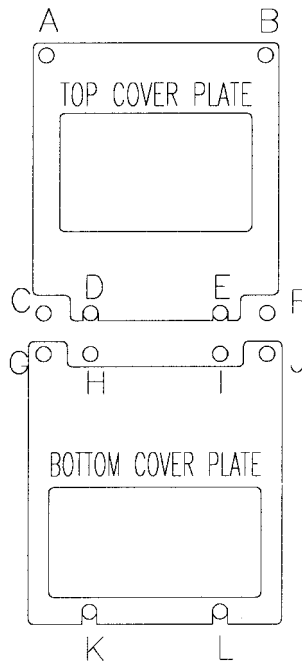
UP-STACKER
DIXIE-NARCO
ARDAC "USA" SERIES
PYRAMID APEX 5400 SERIES

STACKERLESS
DBV INSTALLED - UNIVERSAL COIN DOOR ASSEMBLY 09-61000-1



| <u>Item</u> | <u>Part Number</u> | <u>Description</u> |
|-------------|--------------------|---------------------------------|
| 1. | 09-8803 (Ref.) | Coin Rejector |
| 2. | 09-61000-1 | Univ. 2-slot Coin Door (Taiwan) |
| 3. | | Dollar Bill Validator |
| 4. | 12-6801 (Ref.) | Wire Coin Mech. Ret. Clip |

DETAIL 1



INSTALLATION: MARS VFM2-L1

1. Before installing the MARS dollar bill validator, take off the cover by removing the two screws holding it.
2. Set the DIP switches as follows:

| | | |
|-----------|-----|---|
| Switch #1 | On | (Accepts \$1.00) |
| Switch #2 | Off | (Pulse Pattern 50ms ON/50ms Off) |
| Switch #3 | Off | (Rejects \$5.00) |
| Switch #4 | On | (Not Used) |
| Switch #5 | Off | (Number of Pulses/Dollar - 1) |
| Switch #6 | Off | (Number of Pulses/Dollar - 1) |
| Switch #7 | Off | (Number of Pulses/Dollar - 1) |
| Switch #8 | Off | (Bill Orientation - Accepts in Both Directions) |
3. Replace the cover and secure it into place with the screws.
4. Locate the 18-pin connector/jumper (p/n 5797-13606-00), supplied in the game parts bag. Plug the connector into the bottom of the dollar bill validator through the opening in the cover.
5. Turn OFF power to the game and open the coin door.
6. **09-61000-1 Coin Door**
 - A. Remove and retain hex nuts **A & B**, screws and washers **C, D, E, H & I** and plastic spacers on **C & F**.
 - B. Remove top cover plate.
 - C. Place the plastic spacers from **C & F** onto **H & I**. Retain spacers for possible use on an up-stacker.
 - D. Mount dollar bill validator over studs **A & B**.
 - E. Secure DBV using hex nuts **A & B** and screws and washers **H & I**.
 - F. Discard screws and washers **C, D, E & F**.
7. Plug the male 9-pin connector from the dollar bill acceptor into the female 9-pin connector in the game. (Located next to the coin door.)
8. To check for proper operation, turn ON power to the game and set A.3 22 Dollar Bill Slot to Center then, set the desired pricing.
9. Close coin door. Insert several dollar bills. Be sure they are accepted and the proper credits are displayed. There should be one pulse-per-dollar on the center coin chute.
10. Open the coin door and be sure that the validator aligns with the drop box and that bills do not stay in the validator.

INSTALLATION: COIN BILL VALIDATOR "IVO"

1. Before installing the COIN BILL VALIDATOR dollar bill validator set the DIP switches as follows:

Switch #6 On (Fast Pulse)
Switch #7 Off*
Switch #8 On*
(* Check Manufacturer's information for switch functions.)
2. Turn OFF power to the game and open the coin door.
3. **09-61000-1 Coin Door**
 - A. Remove and retain hex nuts **A & B**, screws and washers **C, D, E, H & I** and plastic spacers on **C & F**.
 - B. Remove top cover plate.
 - C. Place the plastic spacers from **C & F** onto **H & I**. Retain spacers for possible use on an up-stacker.
 - D. Mount dollar bill validator over studs **A & B**.
 - E. Secure DBV using hex nuts **A & B** and screws and washers **H & I**.
 - F. Discard screws and washers **C, D, E & F**.
4. Plug the male 9-pin connector from the dollar bill acceptor into the female 9-pin connector in the game. (Located next to the coin door.)
5. To check for proper operation, turn ON power to the game and set A.3 22 Dollar Bill Slot to Center then, set the desired pricing.
6. Close coin door. Insert several dollar bills. Be sure they are accepted and the proper credits are displayed. There should be one pulse-per-dollar on the center coin chute.
7. Open the coin door and be sure that the validator aligns with the drop box and that bills do not stay in the validator.

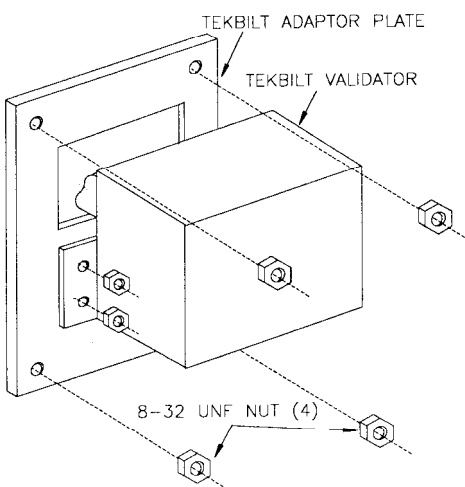
DIP SWITCHES ARE ON THE BILL VALIDATOR

INSTALLATION: TEKBILT NV110-GA1

- Before installing the TEKBILT dollar bill validator set the DIP switches, located on the top of the validator, as follows:

| MODE | DIP SWITCH NUMBERS | | | |
|-------------------------|--------------------|------|------|------|
| | 1 | 2 | 3 | 4 |
| 1 Credit per acceptance | Off | Off | Off | ---- |
| Pulse Fast 50msL/50msH | ---- | ---- | ---- | Off |

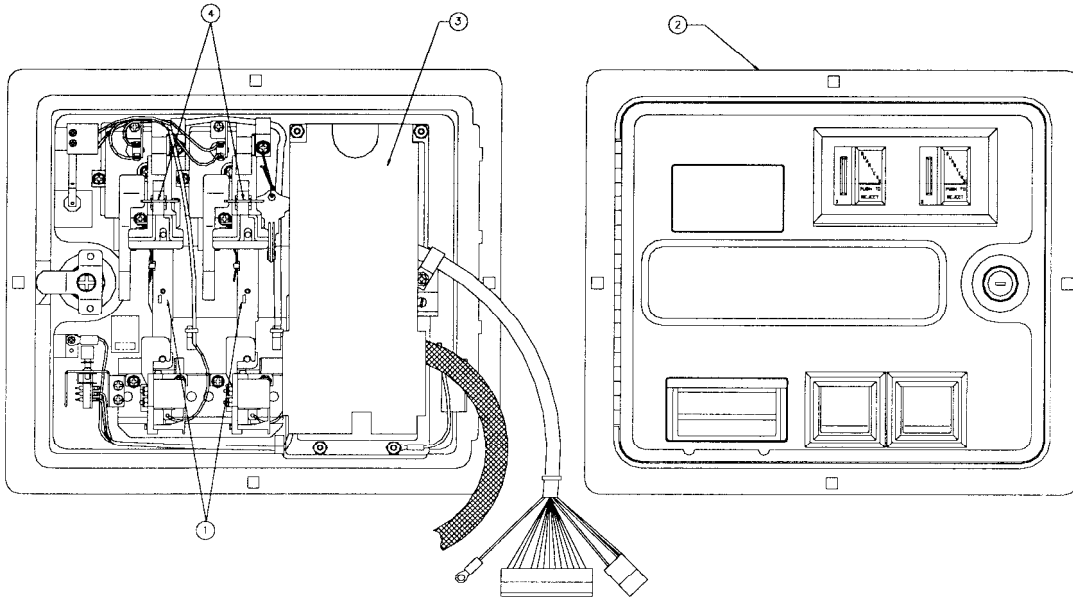
- TEKBILT requires a separate adapter plate. Mount the adapter plate to the dollar bill validator using 6-32 nuts (quantity: 4).
- Turn OFF power to the game and open the coin door.
- 09-61000-1 Coin Door**
 - Remove and retain hex nuts **A & B**, screws and washers **C, D, E, H & I** and plastic spacers on **C & F**.
 - Remove top cover plate.
 - Place the plastic spacers from **C & F** onto **H & I**. Retain spacers for possible use on an up-stacker.
 - Mount dollar bill validator over studs **A & B**.
 - Secure DBV using hex nuts **A & B** and screws and washers **H & I**.
 - Discard screws and washers **C, D, E & F**.
- Plug the male 9-pin connector from the dollar bill acceptor into the female 9-pin connector in the game. (Located next to the coin door.)
- To check for proper operation, turn ON power to the game and set A.3 22 Dollar Bill Slot to Center then, set the desired pricing.
- Close coin door. Insert several dollar bills. Be sure they are accepted and the proper credits are displayed. There should be one pulse-per-dollar on the center coin chute.
NOTE: *If credits aren't registering correctly, swap the RED and WHITE wires on the validator side for correct crediting.*
- Open the coin door and be sure that the validator aligns with the drop box and that bills do not stay in the validator.



UPSTACKER

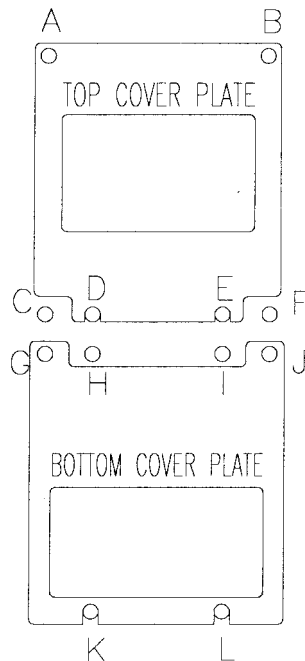
DBV STACKER INSTALLED - UNIVERSAL COIN DOOR ASSY.

09-61000-1



| <u>Item</u> | <u>Part Number</u> | <u>Description</u> |
|-------------|--------------------|---------------------------------|
| 1. | 09-8803 (Ref.) | Coin Rejector |
| 2. | 09-61000-1 | Univ. 2-slot Coin Door (Taiwan) |
| 3. | | Dollar Bill Validator |
| 4. | 12-6801 (Ref.) | Wire Coin Mech. Ret. Clip |

DETAIL 1



INSTALLING DIXIE-NARCO UP-STACKER

09-61000-1

Your game has the capability to install a DBV with a vertical dollar bill stacker. The following information will instruct you as to which stacker can be used and how to install this item.

Installation must be done with the game On/Off Switch in the Off position. There should be no power to the game.

I. Install only the following vendor and model numbers:

- A. Dixie-Narco USA (12-pin connector)
 - Model: 88 x 5019 (\$1.00 only) 88 x 5024 (\$1, \$5.)
 - Software: 57 x 332 57 x 322

- B. Williams Part Number 09-76000
 - Dixie-Narco (9-pin connector)
 - Model: 88 x 5030
 - Software: 57 x 300-20

ARDAC "USA"
SERIES
115 VAC

II. DIP Switch Setting

DIP SWITCHES LOCATED INSIDE BILL ACCEPTOR

| WILLIAMS 09-76000 88 x 5030 | | DIXIE-NARCO 88 x 5019 (\$1.00 only) | | DIXIE-NARCO 88 x 5024 (\$1, \$5) | |
|--------------------------------|---------------|--|---------------|-------------------------------------|---------------|
| 1 Pulse/\$1 | *4 Pulses/\$1 | 1 Pulse/\$1 | *4 Pulses/\$1 | 1 Pulse/\$1 | *4 Pulses/\$1 |
| | | | | 5 Pulses/\$5 | 20 Pulses/\$5 |
| Switch #1: Open | Open | Switch #1: Open | Open | Open | Open |
| Switch #2: Open | Open | Switch #2: Open | Open | Open | Open |
| Switch #3: Open | Open | Switch #3: Open | Open | Closed | Open |
| Switch #4: Open | Closed | Switch #4: Open | Closed | Open | Closed |

* To utilize this setting, game pricing must be set at 25-25-25 (USA). This will give one credit/dollar.

III. Installation (To Coin Door):

- A. Remove and retain screws and washers **C, F, G, H,, I & J**; hex nuts **K & L**; and spacers on **K & L**.
- B. Remove bottom cover plate.
- C. Put a plastic spacer onto **K & L** as it was.
- D. Place the coin door cable under stacker in location shown.
- E. Mount up-stacker over studs **K & L**.
- F. Place ground wire coming from the up-stacker unit on stud **L** as shown.
- G. Place cable clamp using screws and washer from location **F** and secure stacker using screws **C & F** and hex nuts **K & L**.

IV. Cable Connection

A. Dixie-Narco Stacker w/9-pin connector (Williams P/N 09-76000)

- 1) Plug 9-pin connector from stacker into 9-pin connector located inside cabinet.
- 2) Plug the 3-pin connector, located inside the cabinet, into the 3-pin connector on the door.

B. Dixie-Narco Stacker w/12-pin connector

- 1) Take jumper cable H-19130 (9-pin to 12-pin) supplied with the game and mate the 9-pin connector with the 9-pin plug in the game, located by the coin door opening.
- 2) Take the 12-pin from the jumper cable and mate with the 12-pin connector on the stacker cable, and connect 4-pin connector from jumper cable to 4-pin connector on the stacker cable.
- 3) Dress the cable from the stacker away from the cash box area.
- 4) Plug the 3-pin connector, located inside cabinet, into the 3-pin connector on the coin door.