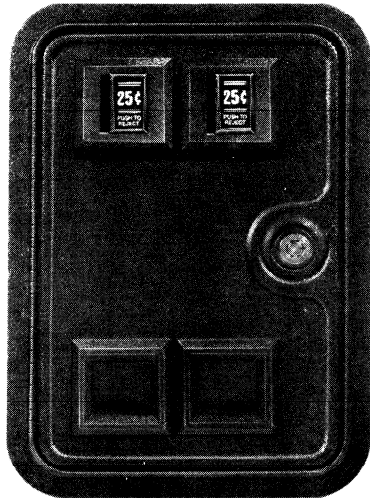




2812 SERIES GAME DOOR



FRONT VIEW

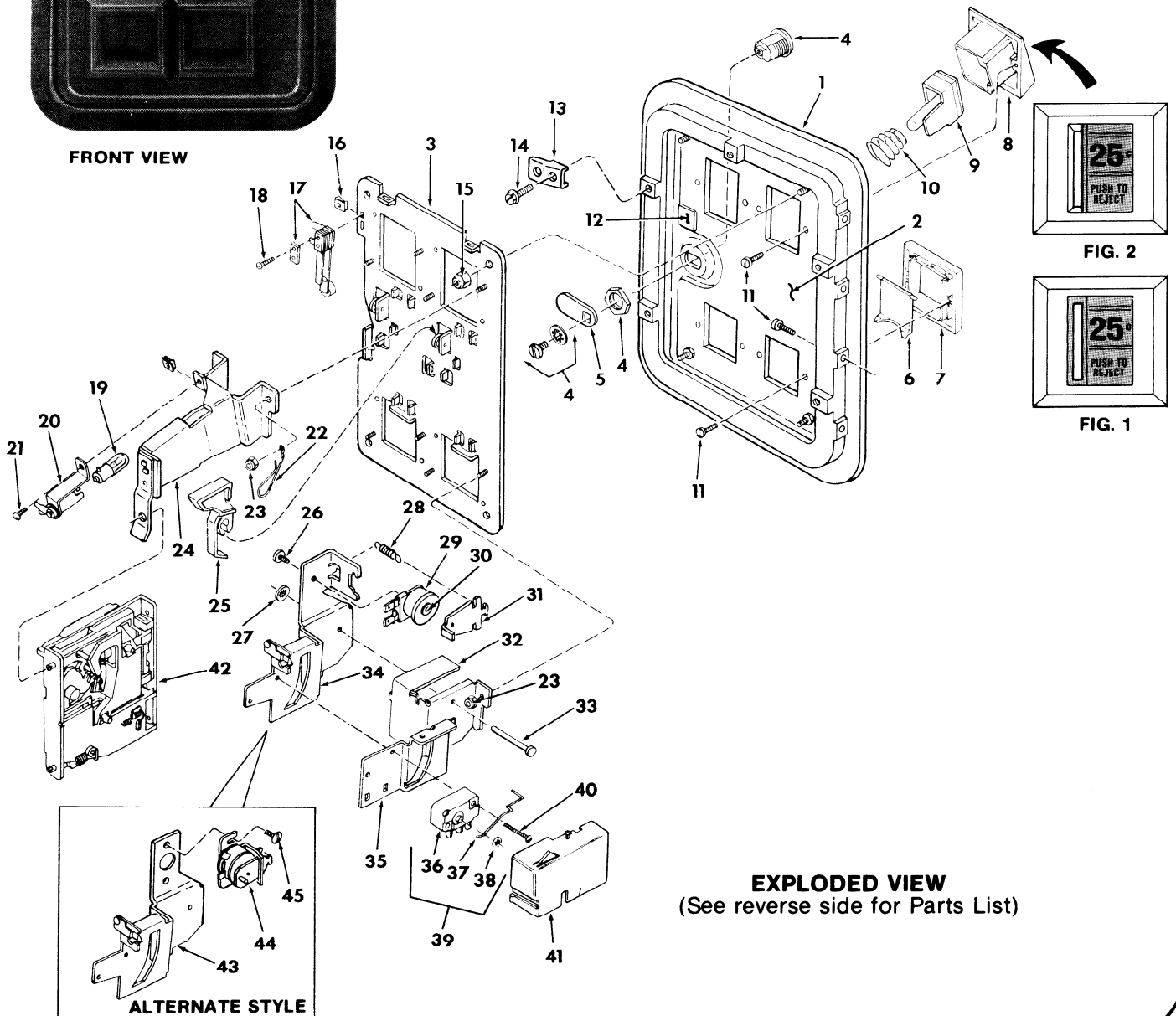
OVERALL DIMENSIONS

Height 10-15/16-Inches
 Width 7-7/8-Inches
 Depth 4-1/2-Inches

RECOMMENDED CABINET OPENING

Height 10-1/16-Inches
 Width 7-1/4-Inches
 Corner Radius 1-Inch

SHIPPING WEIGHT 8 Pounds



EXPLODED VIEW
 (See reverse side for Parts List)

2812 SERIES GAME DOOR PARTS LIST

Index No.	Part No.	Description	Index No.	Part No.	Description
1	905682	Coin Door Frame	22	904722	Wire Key Holder
2	404696-2	Coin Door	23	400-4	Nut
3	404697-1	Coin Door Inner Panel	24	404645	Coin Inlet Chute
4	404897	5/8-Inch Tubular Key Lock	25	904583	Coin Return Lever
	404765	5/8-Inch Flat Key Lock	26	108B5-4	Screw
	404767	7/8-Inch Flat Key Lock	27	904936	A.P.F. Bar Keeper
	404768	15/16-Inch Tubular Key Lock	28	905928	Spring
5	905651-4	CAM (Used with 404897)	* 29	404603	C.R.E.M. Coil (10/12vdc)
	905651-3	CAM (Used with 404765)		404603-1	C.R.E.M. Coil (6vdc)
	905651-2	CAM (Used with 404767)		404603-2	C.R.E.M. Coil (24vdc)
	905651-1	CAM (Used with 404768)		404603-3	C.R.E.M. Coil (24 vac)
6	905484	Coin Return Door		404603-5	C.R.E.M. Coil (28 vdc)
7	904590-2	Coin Return Bezel		404603-4	C.R.E.M. Coil (48vac)
8	904588-2	Coin Inlet Bezel (Used with Figure 1)		404603-7	C.R.E.M. Coil (12vac)
	905425-4	Coin Inlet Bezel (Used with Figure 2)	30	905927-2	C.R.E.M. Core (D.C. Only)
	905425-5	Coin Inlet Bezel (1.213 Coin Diameter)		406104	C.R.E.M. Core (A.C. Only)
	905425-6	Coin Inlet Bezel (1.312 Coin Diameter)	31	404602	Armature Assembly
9	404734	Button Assembly (Used with Figure 1)	32	904598-1	Coin Return Box
	404604	Button Assembly (Used with Figure 2)	33	904935	A.P.F. Bar
10	903494	Spring	34	404601	Switch and C.R.E.M. Bracket
11	325-4-4	Screw	35	904701	Coin Chute
12	904822	Slam Switch Insulation	36	904845	Coin Switch
13	905658	Mounting Clip	37	904710	25¢ Switch Wire
	905658-1	Mounting Clip Slide	38	900651	Switch Wire Retainer
14	328-10-8	Screw	39	404353	25¢ Coin Switch Assembly
15	400-8	Nut	40	100-4-12	Screw
16	904712	"U" Type Fastener	41	904762-1	Switch Cover
17	904704	Slam Switch Assembly	42	5301-13	25¢ NORYL Acceptor
18	116-4-8	Screw		563-20	25¢ Metal Acceptor
19	904716	Lamp (6.3 volt)	43	404428	Switch and C.R.E.M. Bracket
	904716-1	Lamp (12/14 volt)	* 44	404354	C.R.E.M. Assembly (10/12vdc)
	904716-2	Lamp (24 volt)		404354-1	C.R.E.M. Assembly (6vdc)
	904716-9	Lamp (120 volt)		404354-2	C.R.E.M. Assembly (24vdc)
20	904717	Lamp Socket		404354-3	C.R.E.M. Assembly (24vac)
21	110-4-6	Screw		404354-5	C.R.E.M. Assembly (28 vdc)
				404354-4	C.R.E.M. Assembly (48vac)
				404354-7	C.R.E.M. Assembly (12vac)
				404354-9	C.R.E.M. Assembly (117vac)
			45	100-6-4	Screw

* Index No. 29 used with Index No. 34 only.

Index No. 44 (Alternate Style) used with Index No. 43 only.



COIN ACCEPTORS, INC
300 HUNTER AVE.
ST. LOUIS, MISSOURI 63105
800-325-2646

COIN ACCEPTORS, CANADA
868 PROGRESS AVE.
SCARBOROUGH (TORONTO), ONTARIO M1H 2X7
416-438-6314

COINCO PUBLICATION NO. 906126 Rev. 1 10/83
Printed in U.S.A.