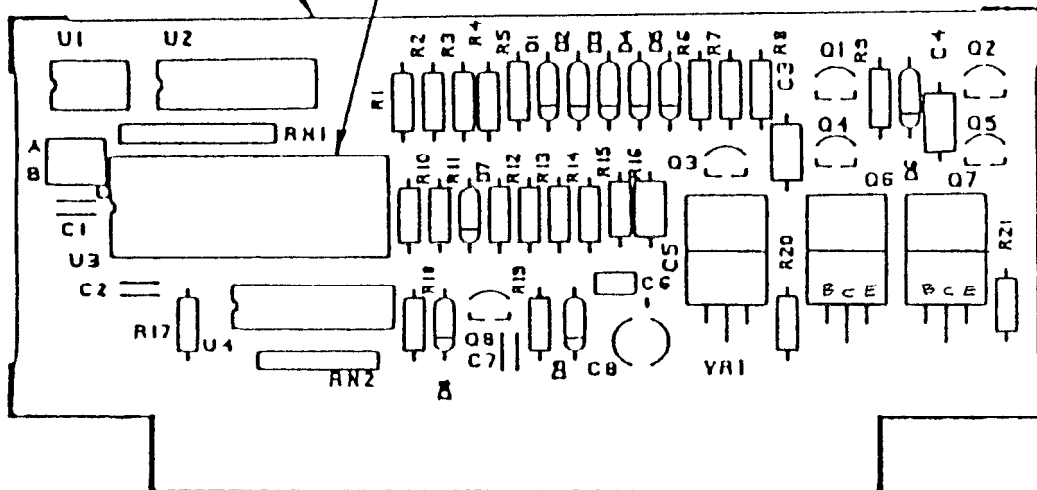


2X4557
HOPPER CONTROL
CARD

1

2

57x 214-7
MICRO CONTROLLER



02X 4557 HOPPER CONTROL BOARD

2X4557 Hopper Control Board Parts List

ITEM NUMBER	PART NUMBER	DESCRIPTION
C1, C2	53x77	Capacitor, 0.1 uf 50 v Mono
C5	53x103	Capacitor, 0.1 uf 50 v
C6	53x111	Capacitor, .047 uf 50 v
C7	53x110	Capacitor, .33 uf 50 v
C8	53x79	Capacitor, 10 uf 25 v Electrolytic
D1, D2, D3, D4, D5, D6, D9	56x53	Diode, 1N4148
D7	56x9	Diode, 1N4004
D8	56x87	Diode, Zener, 1N5240B 10v 1/2w
Q1, Q2, Q3, Q4, Q5	56x17	Transistor, 2N4401 NPN
Q6, Q7	56x28	Transistor, TIP31A NPN
Q8	56x258	Transistor, 2N4403 PNP
U1	56x312	IC, DS1232
U2, U4	56x313	IC, CMOS, CD4050B
VR1	56x143	Regulator, 5 v, 7805
U3	57x214-7	Microcontroller, MC6870SP3
R1, R2, R7	54x159-332	Resistor, 3.3k 1/4w 5%
R3, R4	54x159-473	Resistor, 47k 1/4w 5%
R5	54x159-475	Resistor, 4.7meg 1/4w 5%
R6	54x159-562	Resistor, 5.6k 1/4w 5%
R8, R18	54x159-103	Resistor, 10k 1/4w 5%
R9	54x159-472	Resistor, 4.7k 1/4w 5%
R10, R13	54x159-272	Resistor, 2.7k 1/4w 5%
R11, R12	54x159-242	Resistor, 2.4k 1/4w 5%
R14, R15	54x159-101	Resistor, 100 ohm 1/4w 5%
R16	54x159-102	Resistor, 1 k 1/4w 5%
R19	54x159-681	Resistor, 680 ohm 1/4w 5%
R20, R21	54x159-271	Resistor, 270 ohm 1/4w 5%
R17	54x131-1002	Resistor, 10k 1/8 w 1%
RN1	54x166-103	Resistor Network, 10k
RN2	54x180-473	Resistor Network, 47k
MISC	35x238-28	IC Socket, 28 pin

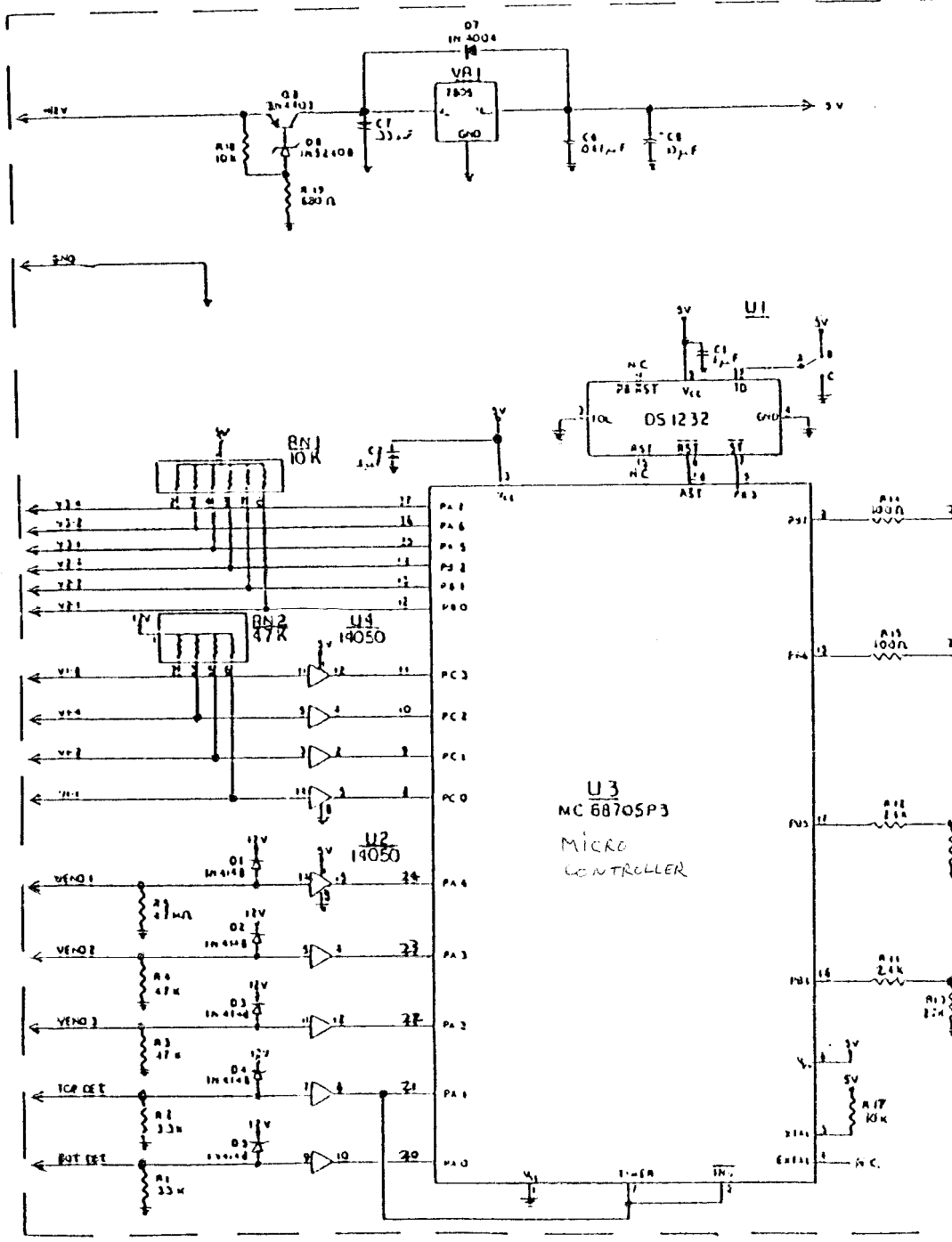
ARDAC

CHANGERS

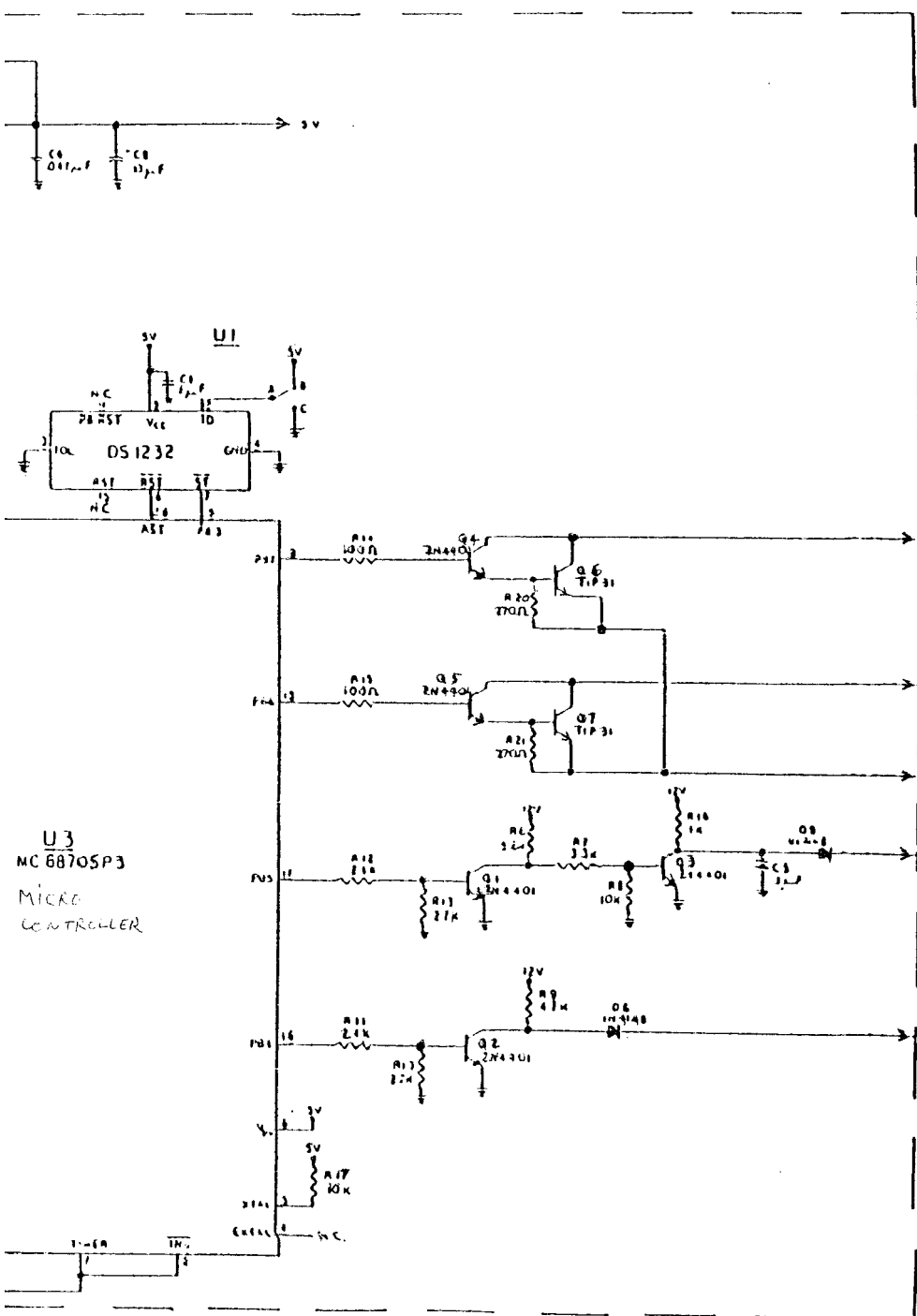
2x4557
Microprocessor Custom
I.C. Replacement
PC Board

EDGE CONNECTOR
 PIN #

- 9 +12VDC
- 16 V_{SS} ZEROV
- 10
- 6
- 3
- 8
- 5
- 2
- 21
- 7
- 4
- 1
- 11 VEND 1
- 12 50⁺ VEND 2
- 13 254 VEND SIGNAL VEND 3
- 15 UNCOVERED TOP DET.
- 22 UNCOVERED BOT. DET.



2x4557
 Microprocessor Custom
 I.C. Replacement
 PC Board



- 18 MOTOR ON
- 20 SOLENOID ON
- 19 AC-DC GROUND
- 14 LATCHING SIGNAL
- 17 INHIBIT