

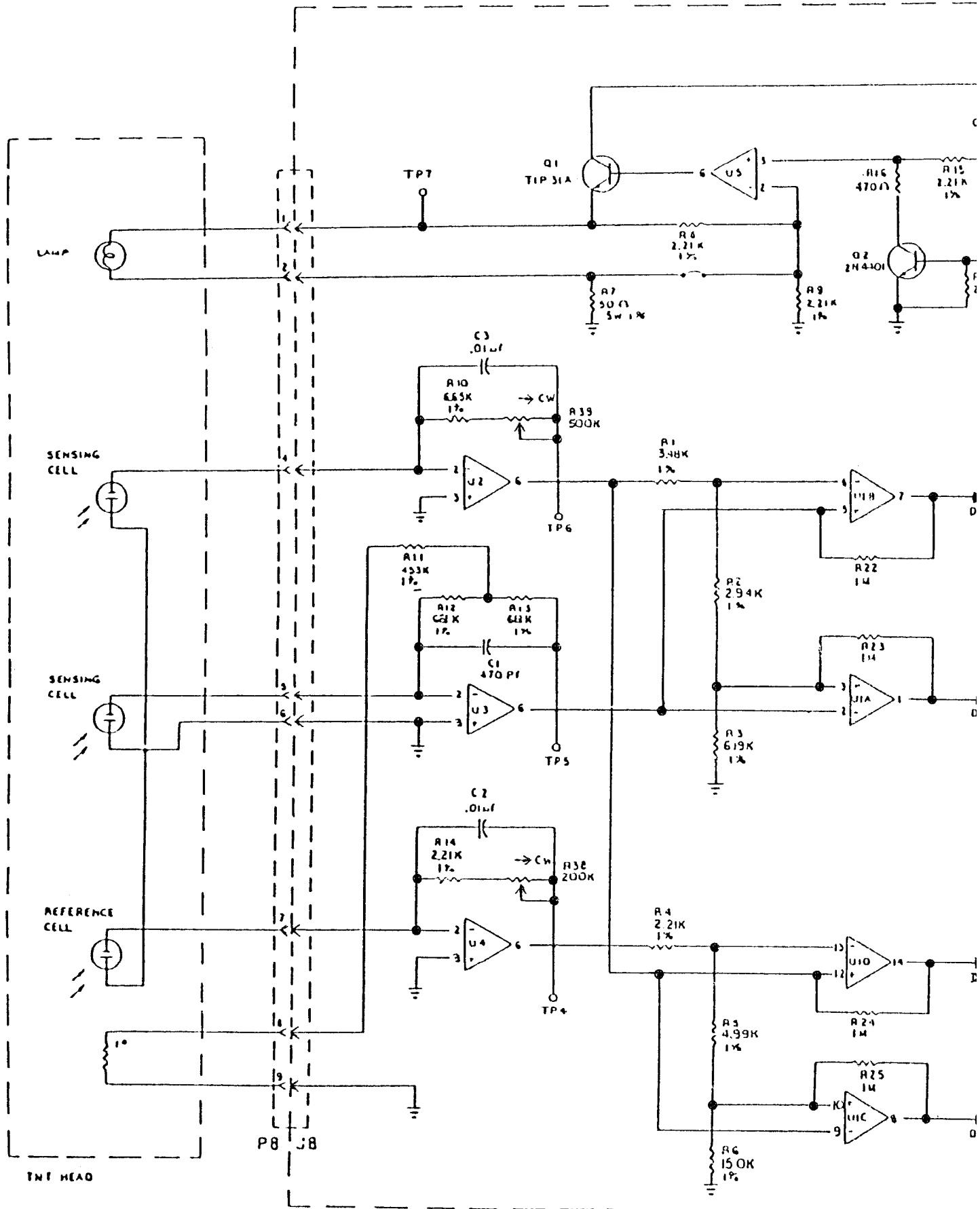
COMPONENT LAYOUT

2X2498 S.A. TNT P.C. BD.

\$1 AND \$5 NOTE ACCEPTOR

<u>ITEM NUMBER</u>	<u>PART NUMBER</u>	<u>DESCRIPTION</u>
C2, C3	53x21	Capacitor .01 uf
C4	53x39	Capacitor .68 uf Tantalum
C1	53x50	Capacitor 470 pf.
R19	54x38-821	Resistor 820 $\frac{1}{2}$ W 5%
R21, R22, R23, R24	54x43-105	Resistor 1M $\frac{1}{2}$ W 10%
R20	54x43-222	Resistor 2.2K $\frac{1}{2}$ W 10%
R17	54x43-333	Resistor 33K $\frac{1}{2}$ W 10%
R16	54x43-471	Resistor 470 $\frac{1}{2}$ W 10%
R34	54x43-682	Resistor 6.8K $\frac{1}{2}$ W 10%
R26	54x43-823	Resistor 82K $\frac{1}{2}$ W 10%
R40	54x65	Potentiometer 1K
R38	54x80	Potentiometer 200K
R39	54x132-501	Potentiometer 500K
R4, R8, R9, R14, R15	54x131-2211	Resistor 2.21K 1/8 W 1%
R2	54x131-2941	Resistor 2.92K 1/8 W 1%
R1	54x131-3461	Resistor 3.48K 1/8 W 1%
R11	54x131-4533	Resistor 453K 1/8 W 1%
R18	54x131-4990	Resistor 499K 1/8 W 1%
R12, R13	54x131-6813	Resistor 681K 1/8 W 1%
R10	54x1316051	Resistor 6.65K 1/8 W 1%
R3	54x131-6191	Resistor 6.19K 1/8 W 1%
R5	54x131-4991	Resistor 4.99K 1/8 W 1%
R6	54x140-500	Resistor 50K 5 W 1%
D7	56x9	Diode 1N4004
Q2	56x17	Transistor 2N4401
Q1	56x28	Transistor Tip 31A
D1, D2, D3, D4, D5	56x53	Diode, Signal 1N4148
D6	56x77	Diode, Zener
U1	56x78	IC LM324
U2, U3, U4, U5	56x123	IC CA 3140F, Selected

Schematic, TNT



2x2498

schematic, TNT

