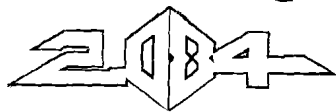
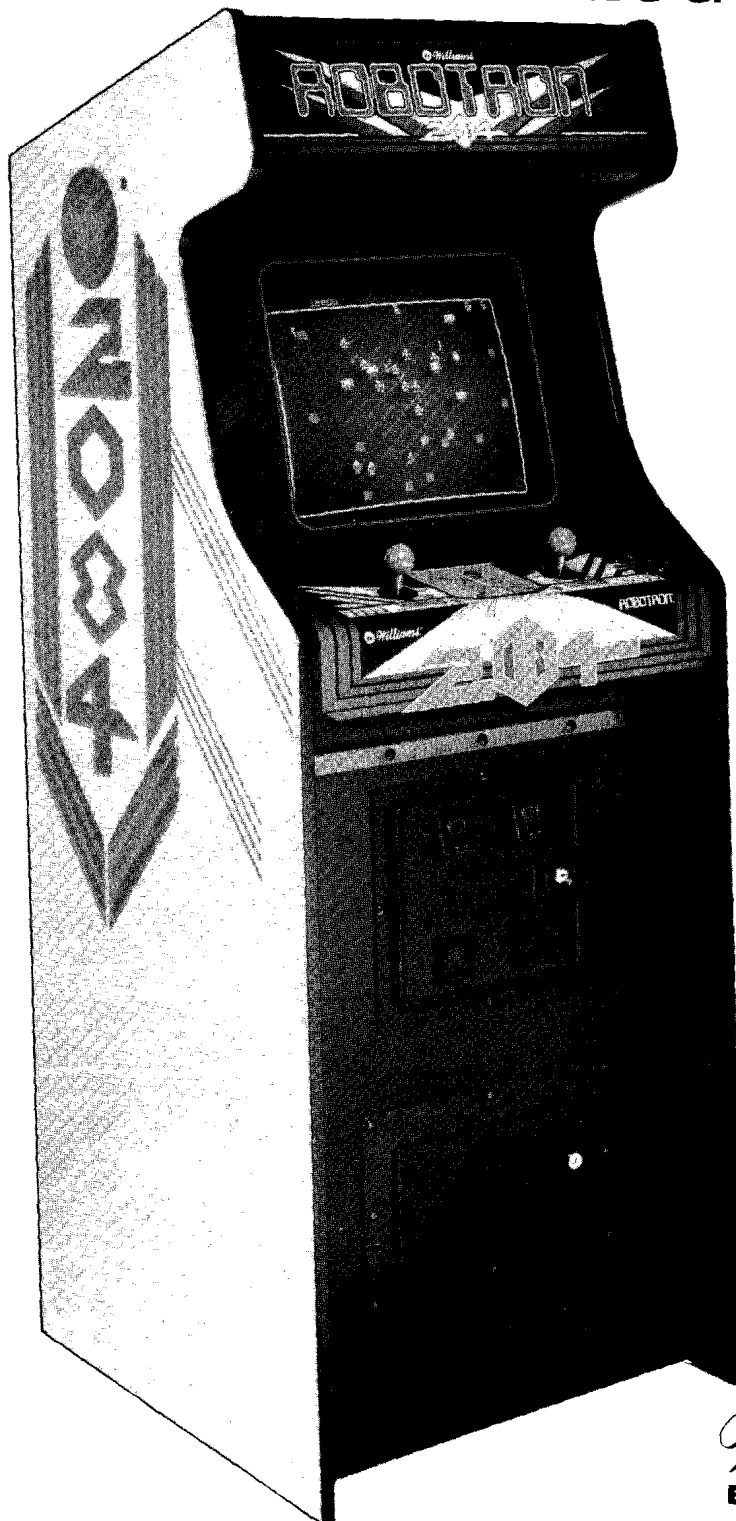


# ROBOTRON:

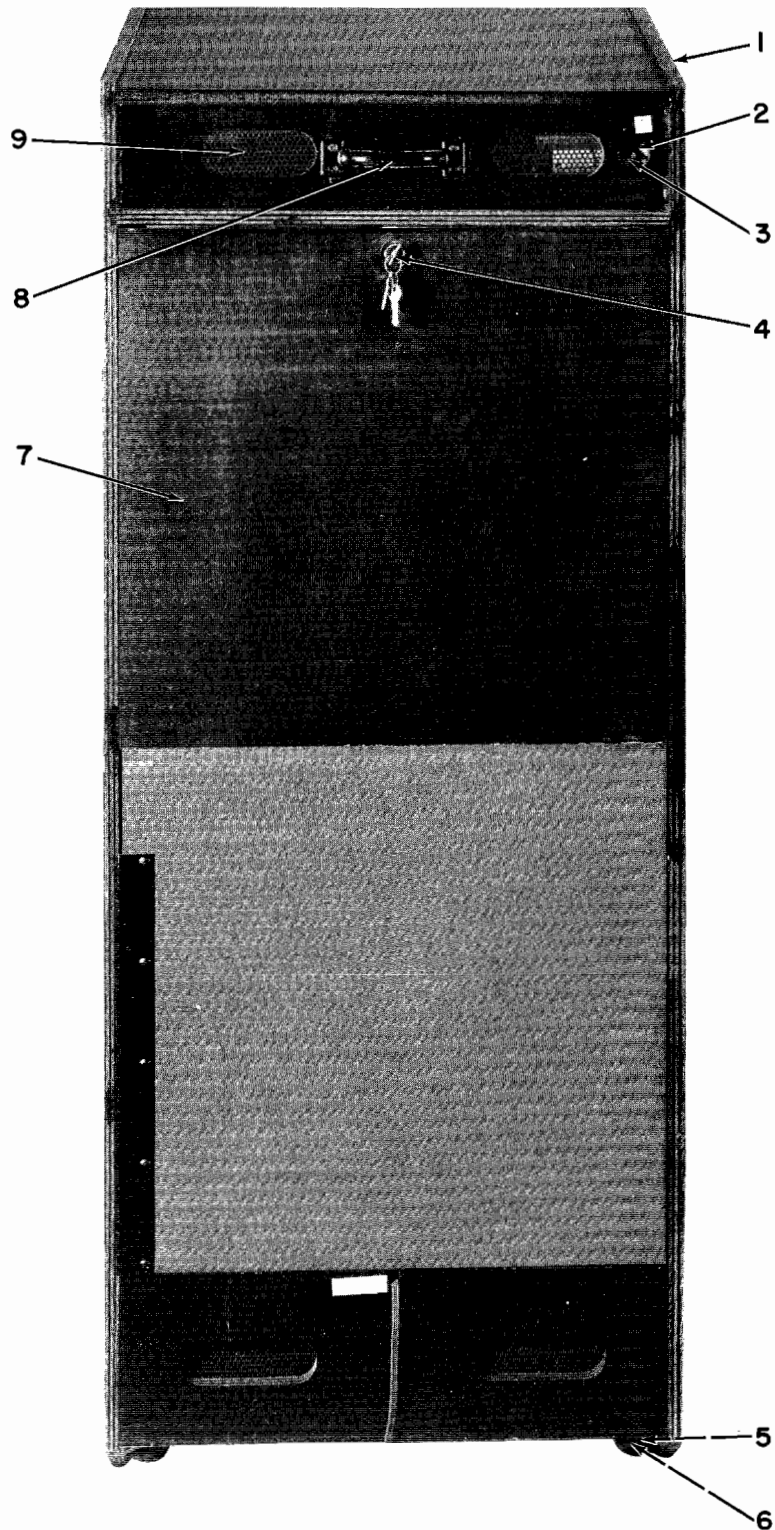


## PARTS CATALOG

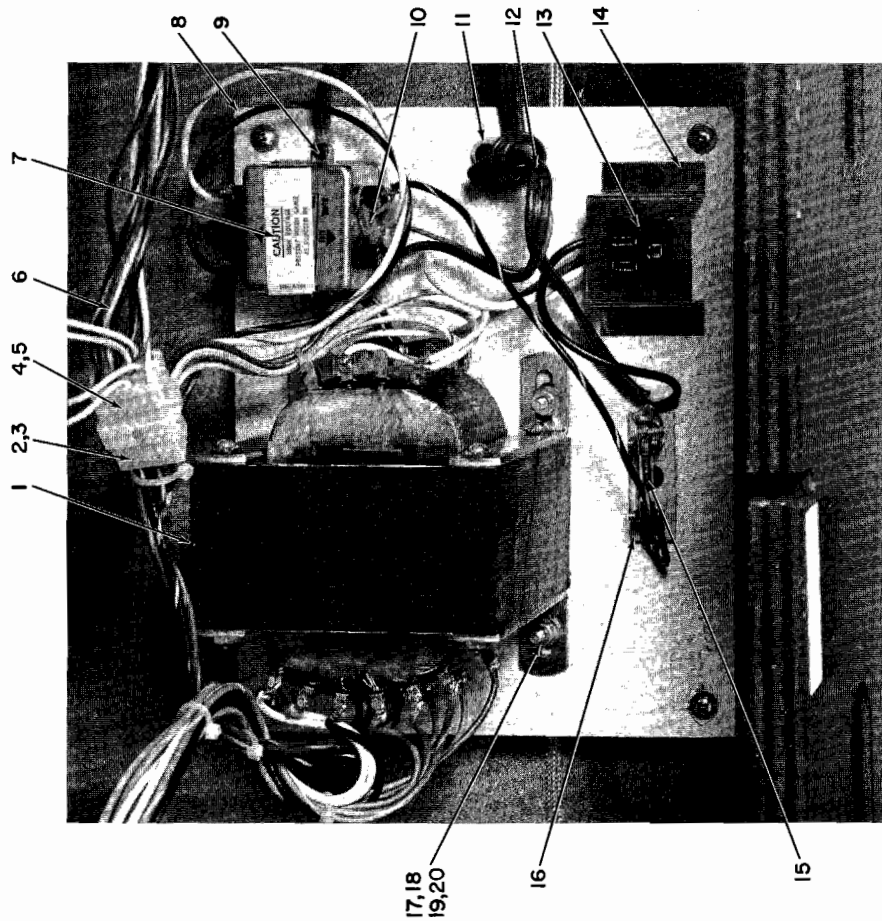
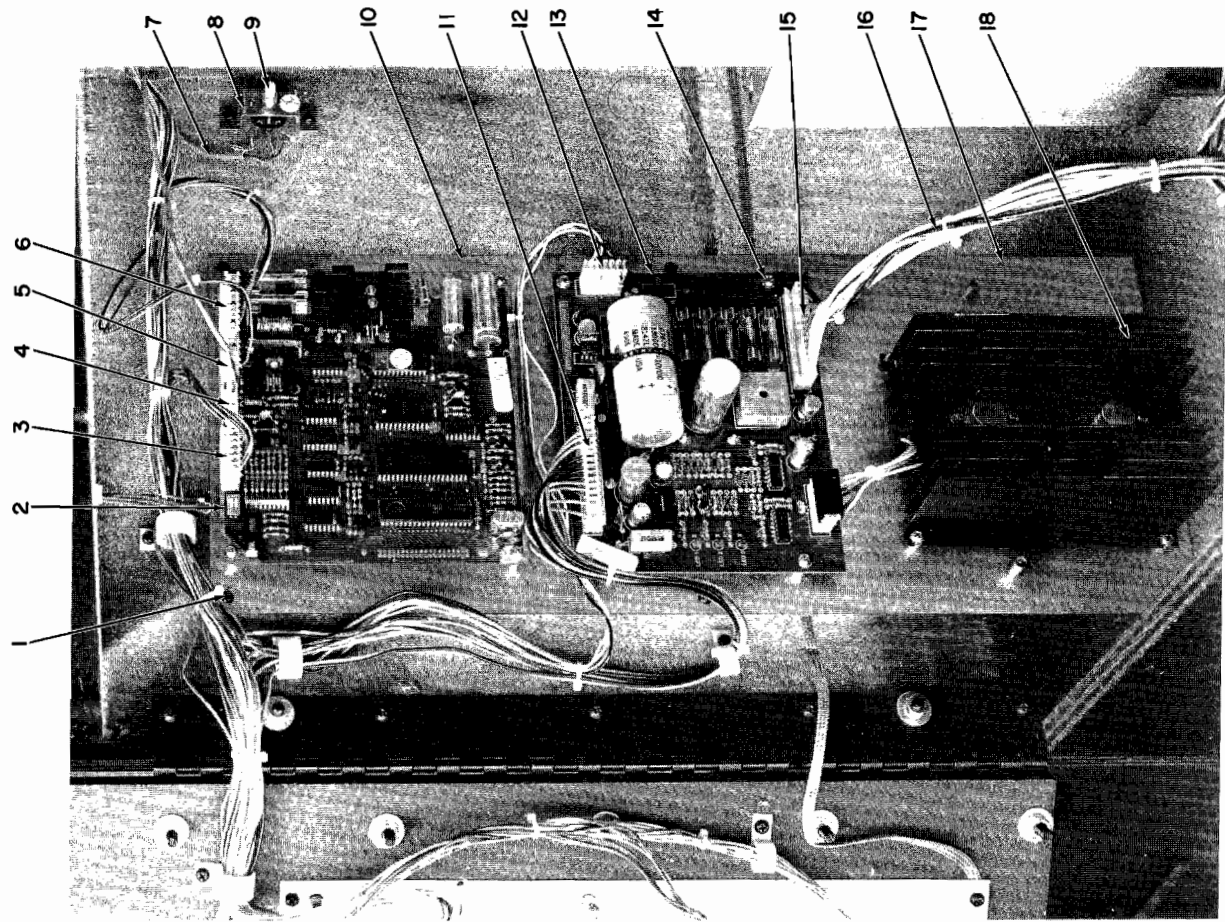


# ROM SUMMARY

ROM	PART NO.	DESCRIPTION
ROBOTRON 1B	A-5343-09898	PROM, 4Kx8, RED or YELLOW LABEL
	A-5343-09945	PROM, 4Kx8, BLUE LABEL
ROBOTRON 2B	A-5343-09899	PROM, 4Kx8, RED or YELLOW LABEL
	A-5343-09946	PROM, 4Kx8, BLUE LABEL
ROBOTRON 3B	A-5343-09900	PROM, 4Kx8, RED or YELLOW LABEL
	A-5343-09947	PROM, 4Kx8, BLUE LABEL
ROBOTRON 4B	A-5343-09901	PROM, 4Kx8, RED or YELLOW LABEL
	A-5343-09948	PROM, 4Kx8, BLUE LABEL
ROBOTRON 5B	A-5343-09902	PROM, 4Kx8, RED or YELLOW LABEL
	A-5343-09949	PROM, 4Kx8, BLUE LABEL
ROBOTRON 6B	A-5343-09903	PROM, 4Kx8, RED or YELLOW LABEL
	A-5343-09950	PROM, 4Kx8, BLUE LABEL
ROBOTRON 7B	A-5343-09904	PROM, 4Kx8, RED or YELLOW LABEL
	A-5343-09951	PROM, 4Kx8, BLUE LABEL
ROBOTRON 8B	A-5343-09905	PROM, 4Kx8, RED or YELLOW LABEL
	A-5343-09952	PROM, 4Kx8, BLUE LABEL
ROBOTRON 9B	A-5343-09906	PROM, 4Kx8, RED or YELLOW LABEL
	A-5343-09953	PROM, 4Kx8, BLUE LABEL
ROBOTRON 10B	A-5343-09907	PROM, 4Kx8, RED or YELLOW LABEL
	A-5343-09954	PROM, 4Kx8, BLUE LABEL
ROBOTRON 11B	A-5343-09908	PROM, 4Kx8, RED or YELLOW LABEL
	A-5343-09955	PROM, 4Kx8, BLUE LABEL
ROBOTRON 12B	A-5343-09909	PROM, 4Kx8, RED or YELLOW LABEL
	A-5343-09956	PROM, 4Kx8, BLUE LABEL
Decoder ROM 4 (Horizontal)	A-5342-09694	PROM, 512x8
Decoder ROM 6 (Vertical)	A-5342-09821	PROM, 512x8
Video Sound ROM 3	A-5343-09910	ROM, 4Kx8
Special Chip 1	A-5410-09911	Special Chip

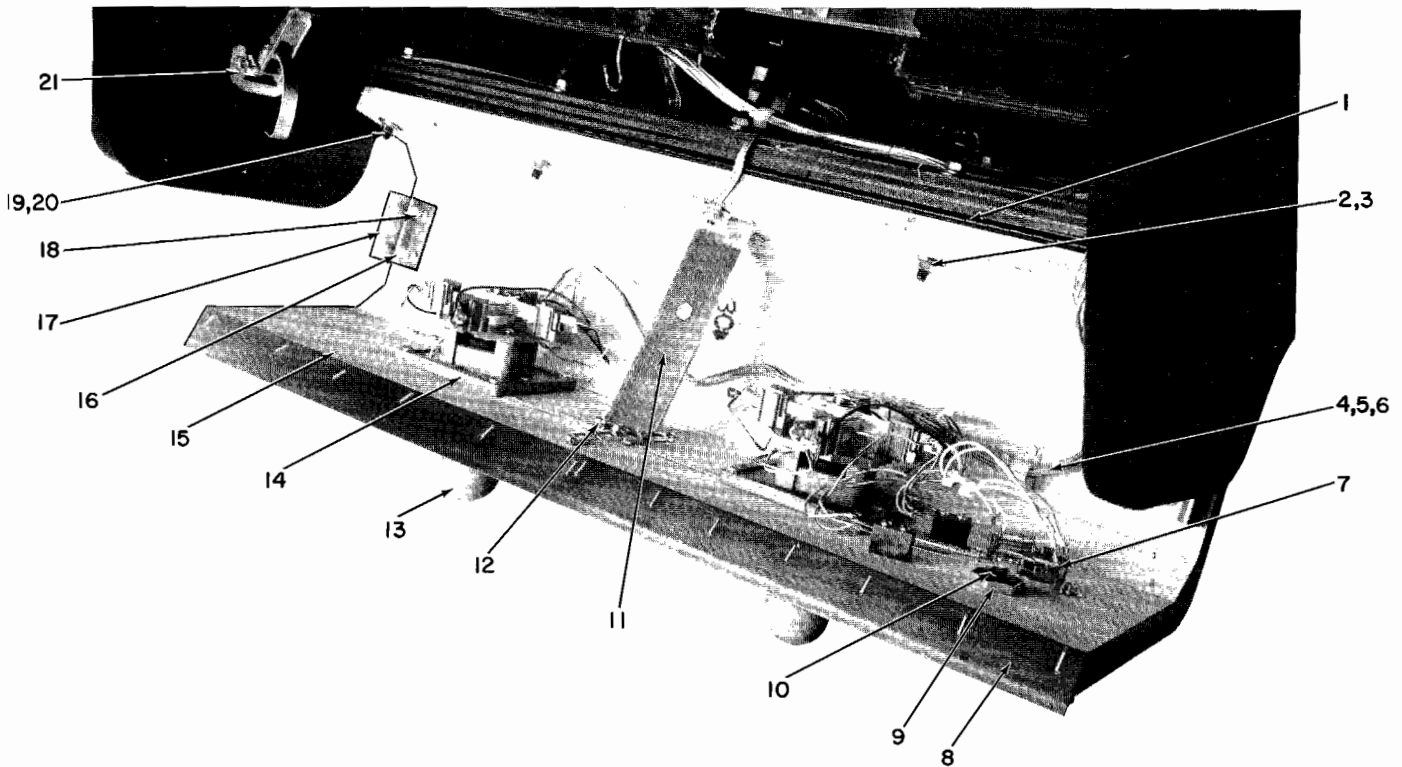


ITEM	PART NO.	DESCRIPTION
1	11-674	ROBOTRON (2084) Cabinet
2	01-7228	Toggle Switch Mounting Plate
3	5640-06137	Toggle Switch, SPST, 6A, 125V
4	20-6542-TB	Lock and Keys
5	08-7391	Leg Adjuster, 2-1/2" (Not Shown)
6	08-7025-B	Nut, Leg Adjuster (Not Shown)
7	11-616	Upper Rear Door
8	20-9267	Handle, 6-1/2"
9	03-7602	Vent Hole Cover



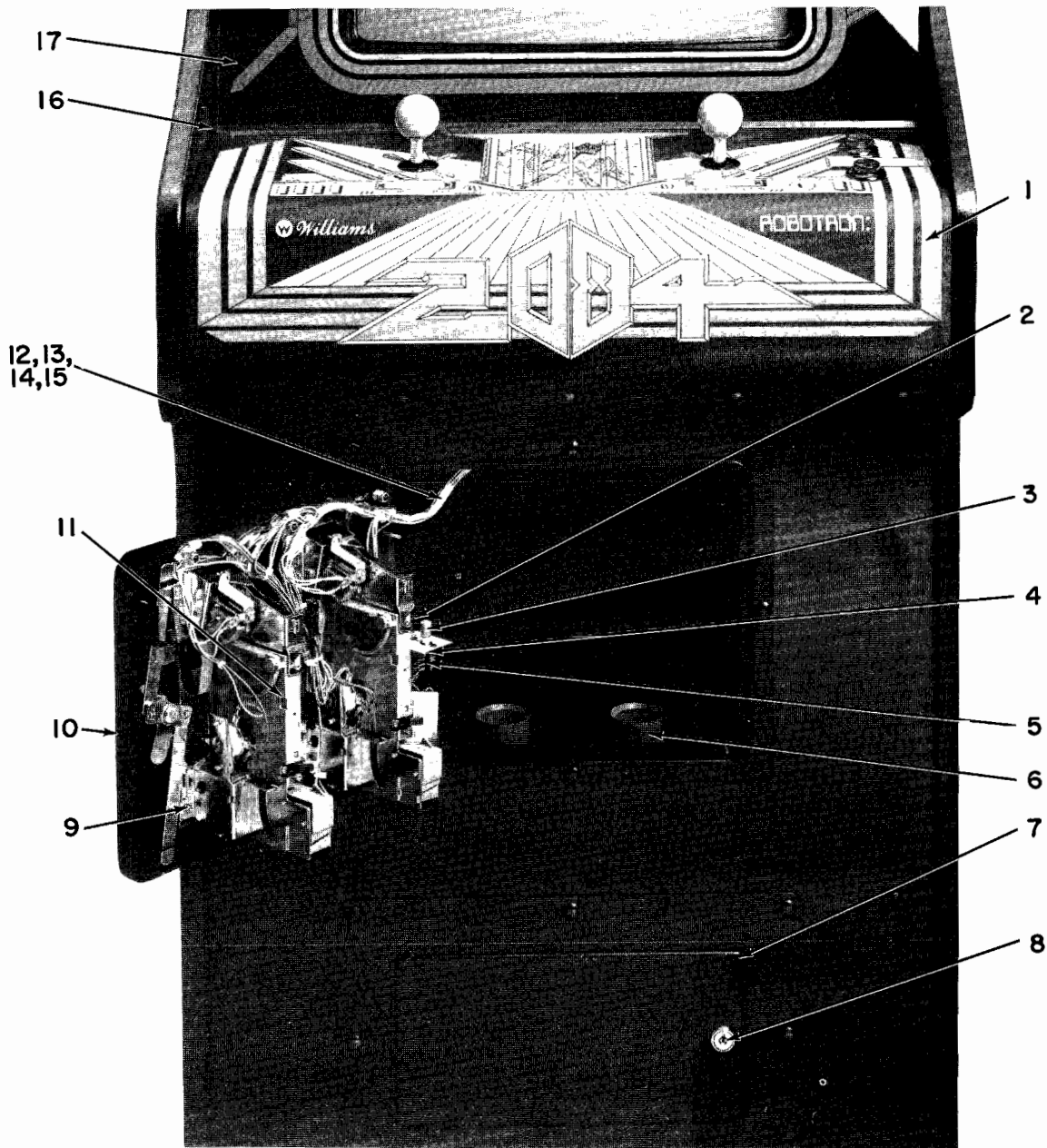
D-9187 Power Pack Assembly  
(System 3)

ITEM	PART NO.	DESCRIPTION
1	AB-5610-09658	Video Transformer W/Brackets
2	5791-09572	Connector, 12 Pin, Male
3	5820-09080	Pin, Male (Not Shown)
4	5792-09109	Connector, 12 Pin, Female
5	5821-09081	Pin, Female (Not Shown)
6	H-8818	Line Voltage Cable Sub-Assembly
7	5102-08895	Line Filter, 5A
8	11-613	Power Pack Mounting Board
9	4106-01115-08	Sheet Metal Screw, #6x1/2"
10	5017-09044	Varistor, 130V, 10A
11	03-6408-6	Cable Clamp, 3/8"
12	5850-08728	Line Cord, 15 Ft., U.S.
13	5851-09184	Snap-in Service Outlet
14	01-6948	Service Outlet Mounting Bracket
15	5731-08633	Fuse, Slo-Blo, 3A, 115V
16	B-6448-1	Fuse Clip Assembly
17	4701-00005	Lock Washer, Split, 1/4"
18	4700-00033	Flat Washer, 17/64" I.D.x 3/4" O.D., 15 Gauge
19	4420-01117	Hex Nut, 1/4"-20
20	4320-01123-20	Bolt, 1/4"-20x1-1/4"
ITEM	PART NO.	DESCRIPTION
1	4008-01017-08	Machine Screw, #8-32x1/2"
2	D-8224-3005	ROBOTRON Sound Board Assembly
3	5792-09290	Connector, 9 Pin, Female
*4	5792-09103	Connector, 4 Pin, Female
5	5792-09288	Connector, 4 Pin, Female
6	5792-09336	Connector, 9 Pin, Female
7	H-8866	Volume Control/Cable Assembly
8	01-6858	Pot Mounting Bracket
9	5014-09170	Pot, 5K, 1W, 10%
10	D-9220	Printed Circuit Boards & Mounting Plate Assembly
11	5792-09567	Connector, 15 Pin, Female
12	5792-09517	Connector, 6 Pin, Female
13	D-8784	Power Supply Board Assembly
14	4008-01017-04	Machine Screw, #8-32x1/4"
*15	5792-09107	Connector, 15 Pin, Female
16	H-9100	Transformer Secondary Harness Assembly
17	D-8824	Mounting Plate Assembly
18	C-8809	Heat Sink Assembly
	*5822-09076	Pin, Female (Not Shown)
	5823-09082	Polarizing Key (Not Shown)



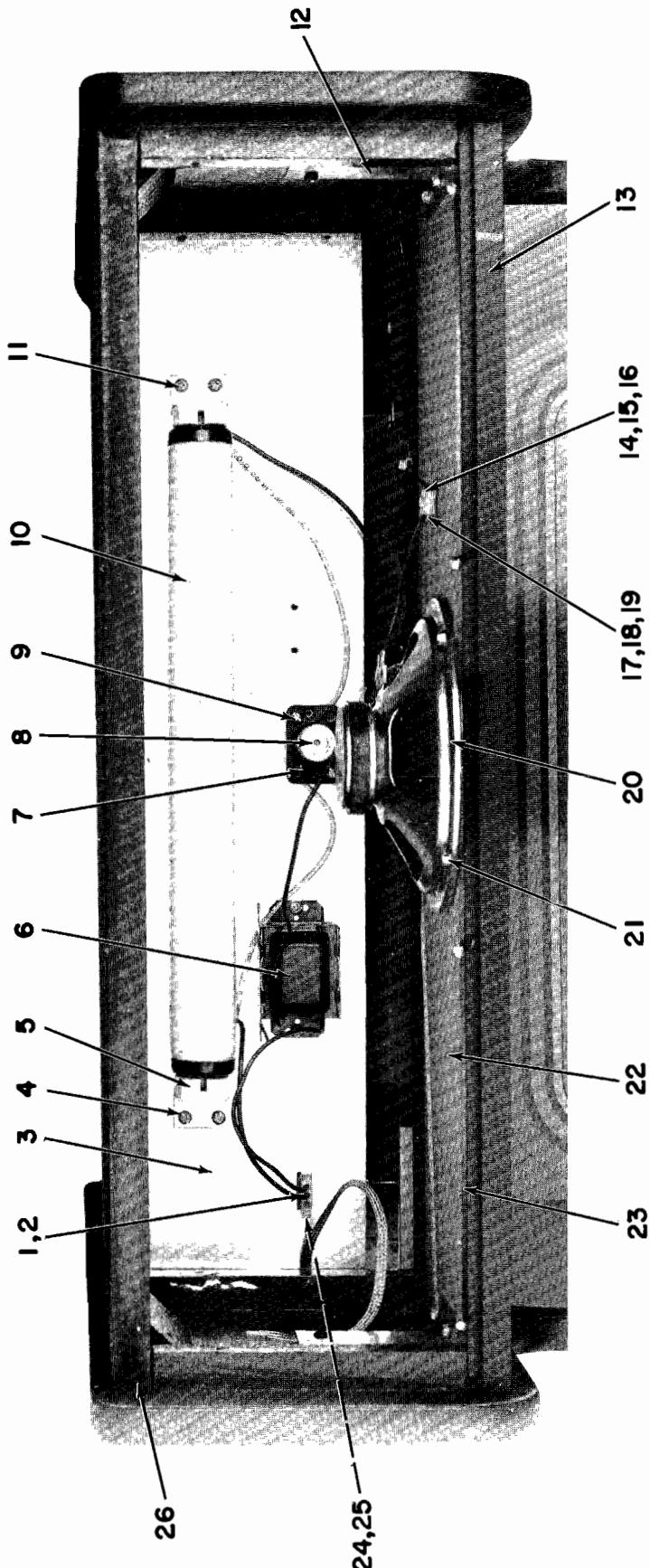
R-9178 Control Panel & Switch Assy

ITEM	PART NO.	DESCRIPTION
1	01-7170	Control Panel Hinge
2	4701-00005	Lock Washer, Split, 1/4"
3	4420-01117	Hex Nut, 1/4"-20
4	H-9208	Control Panel Cable Assembly
5	5791-09095	Connector, 15 Pin, Male
6	5820-09078	Pin, Male
7	A-8639	Light Socket Assembly
8	03-7654-1	Control Panel Molding
9	20-9222	Palnut, 5/8"
10	B-9214-14	Blue Button Assembly
11	01-7271	Control Panel Brace
12	4610-01080-10	High-Low Screw, #10x5/8"
13	20-9319	8-Way WICO Joystick
14	03-7614	Molded Universal Switch
15	AB-11-674-1	Robotron Control Panel
16	4608-01080-10	High-Low Screw, #8x5/8"
17	01-6994	Trunk Latch Bracket
18	4008-01003-12	Machine Screw, #8-32x3/4"
19	4320-01123-20	Bolt, 1/4"-20x1-1/4"
20	4700-00033	Flat Washer, 17/64" I.D. x 3/4" O.D., 15 Gauge
21	20-9266	Trunk Latch



D-8745 Coin Door Assembly

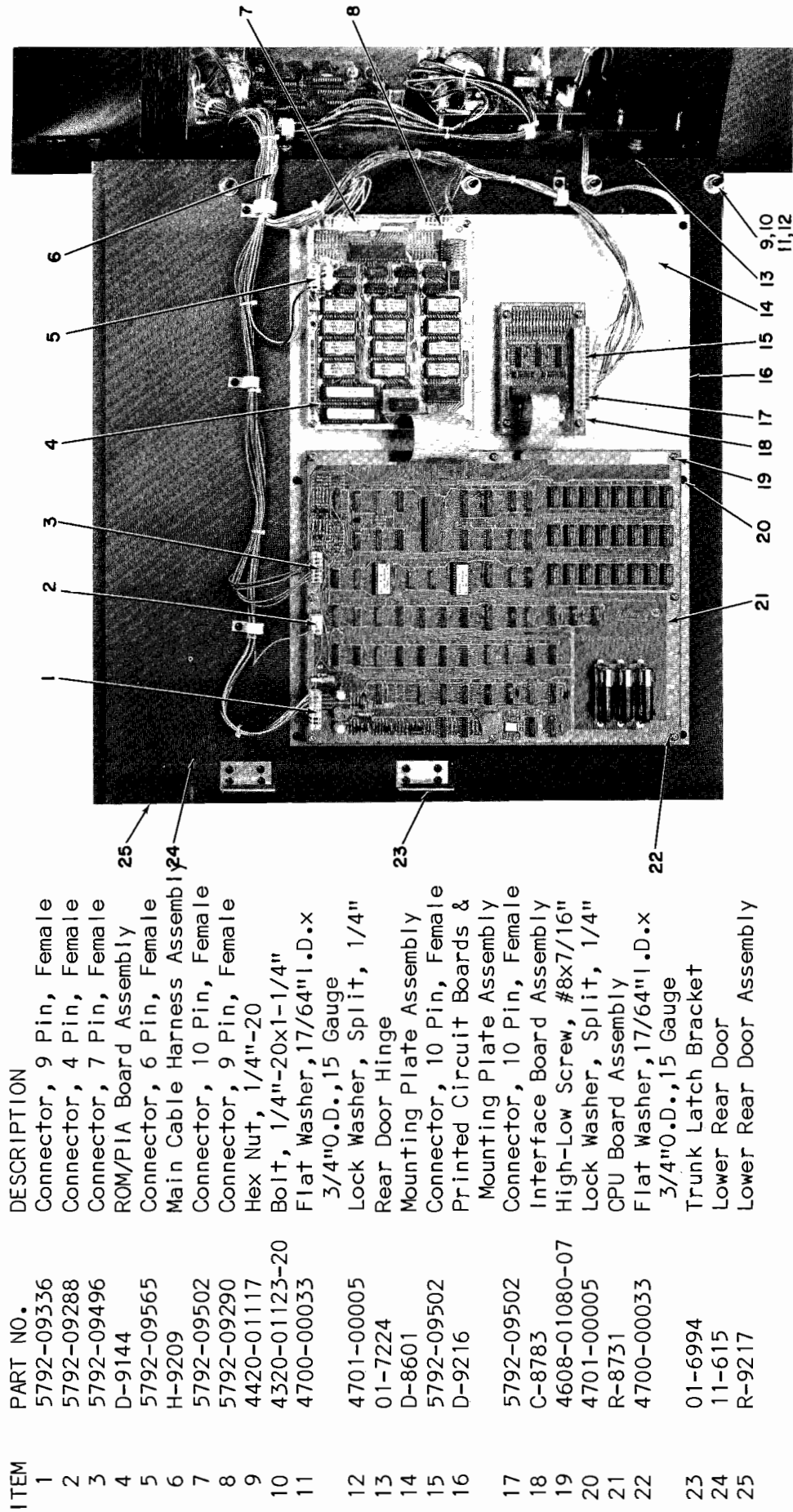
ITEM	PART NO.	DESCRIPTION
1	31-1043-3005-U	Screened Robotron Control Panel
2	03-7601-7	Black Switch Button
3	03-7601-4	Red Switch Button
4	01-7174	Diagonal Switch Bracket
5	5641-09369	Switch, DPDT, 30V, 0.3A
6	03-7653	Coin Chute Tube
7	C-8832	Cashbox Door Assembly
8	20-8995	Cashbox Lock & Keys
9	4404-01119	Elastic Stop Nut
10	D-8745	Coin Door Complete Assembly
11	09-12000-1	Coin Door USA Quarter Mechanism
12	H-8751	Coin Door Cable Assembly
13	5791-09093	Connector, 15 Pin, Male
14	5820-09078	Pin, Male
15	5826-09672	Fastener Lug
16	31-1044-3005-U	Screened CRT Cover
17	03-7594	CRT Bezel



ITEM	PART NO.	DESCRIPTION
1	5792-09395	Connector, 3 Pin, Female
2	5821-09081	Pin, Female
3	01-7005	Light Deflector Panel
4	01-3827	Light Mounting Bracket
5	20-8746	Flourescent Light Holder
6	20-8749-8	Ballast
7	20-8747	Fluorescent Starter Fixture
8	20-8748-1	Starter
9	4003-01051-06	Machine Screw, #3-48x3/8"
10	24-6597-5	Fluorescent Lamp
11	4008-01005-04	Machine Screw, #8-32x1/4"
12	01-7446	Speaker Panel Mounting Bracket
13	01-7267	Bottom Marquee Molding
14	5791-09111	Connector, 3 Pin, Male
15	5820-09080	Pin, Male
16	5823-09360	Polarizing Key
17	H-8836	Speaker Cable Assembly
18	5792-09110	Connector, 3 Pin, Female
19	5821-09081	Pin, Female
20	5555-09382-01	Speaker, 6", 4 Ohm, 3 Watt
21	4608-01080-10	High-Low Screw, #8x5/8"
22	11-618	Speaker Panel
23	03-7650	Speaker Panel Cover
24	5791-09111	Connector, 3 Pin, Male
25	5820-09080	Pin, Male
26	01-7266	Top Marquee Molding
	31-1045-3005-U	Screened ROBOTRON Marquee (Not Shown)







ITEM	PART NO.	DESCRIPTION
1	5792-09336	Connector, 9 Pin, Female
2	5792-09288	Connector, 4 Pin, Female
3	5792-09496	Connector, 7 Pin, Female
4	D-9144	ROM/PIA Board Assembly
5	5792-09565	Connector, 6 Pin, Female
6	H-9209	Main Cable Harness Assembly
7	5792-09502	Connector, 10 Pin, Female
8	5792-09290	Connector, 9 Pin, Female
9	4420-01117	Hex Nut, 1/4"-20
10	4320-01123-20	Bolt, 1/4"-20x1-1/4"
11	4700-00033	Flat Washer, 17/64" I.D.x 3/4" O.D., 15 Gauge
12	4701-00005	Lock Washer, Split, 1/4"
13	01-7224	Rear Door Hinge
14	D-8601	Mounting Plate Assembly
15	5792-09502	Connector, 10 Pin, Female
16	D-9216	Printed Circuit Boards & Mounting Plate Assembly
17	5792-09502	Connector, 10 Pin, Female
18	C-8783	Interface Board Assembly
19	4608-01080-07	High-Low Screw, #8x7/16"
20	4701-00005	Lock Washer, Split, 1/4"
21	R-8731	CPU Board Assembly
22	4700-00033	Flat Washer, 17/64" I.D.x 3/4" O.D., 15 Gauge
23	01-6994	Trunk Latch Bracket
24	11-615	Lower Rear Door
25	R-9217	Lower Rear Door Assembly