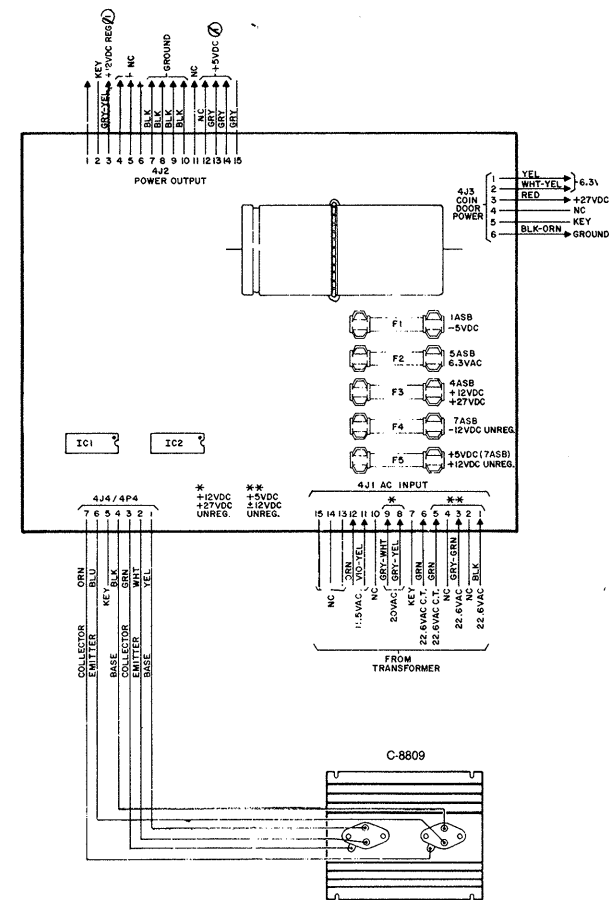
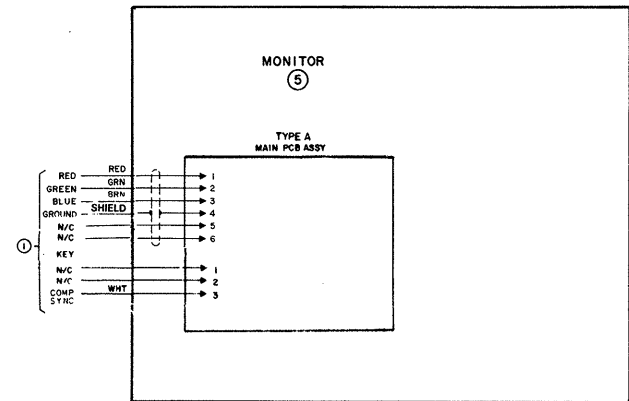
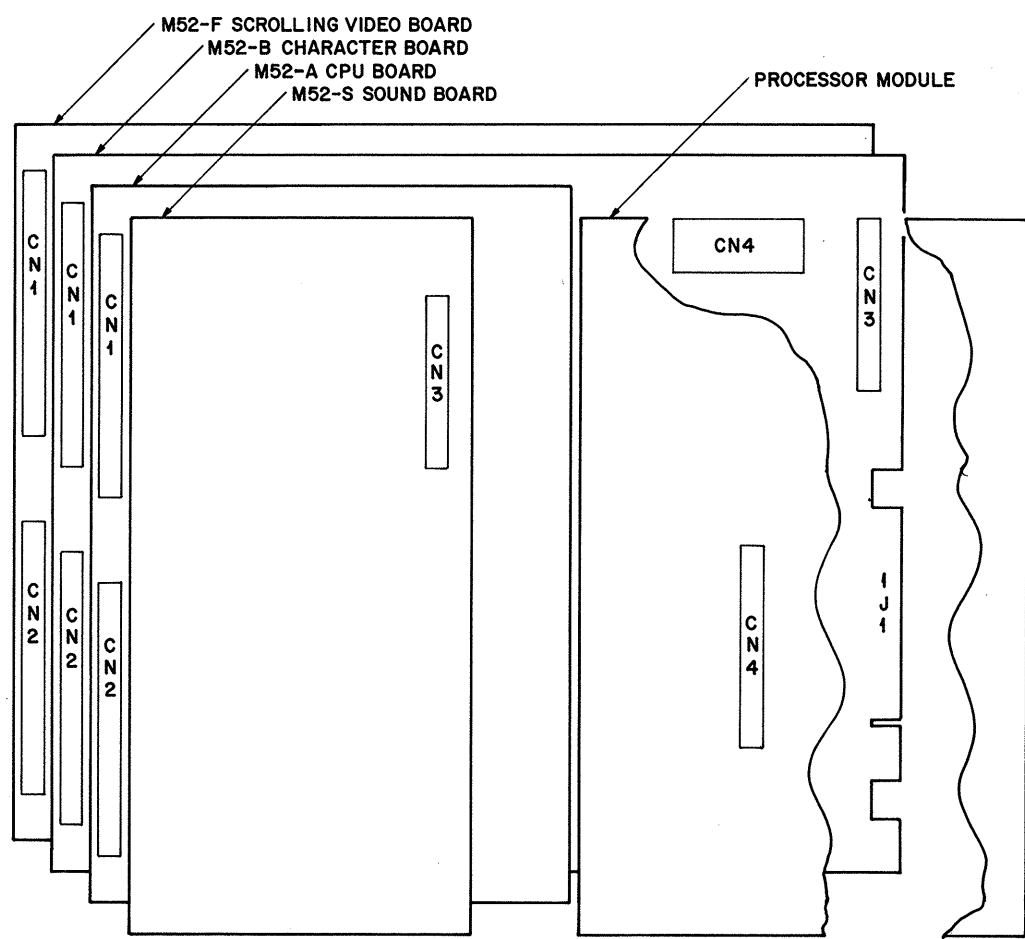
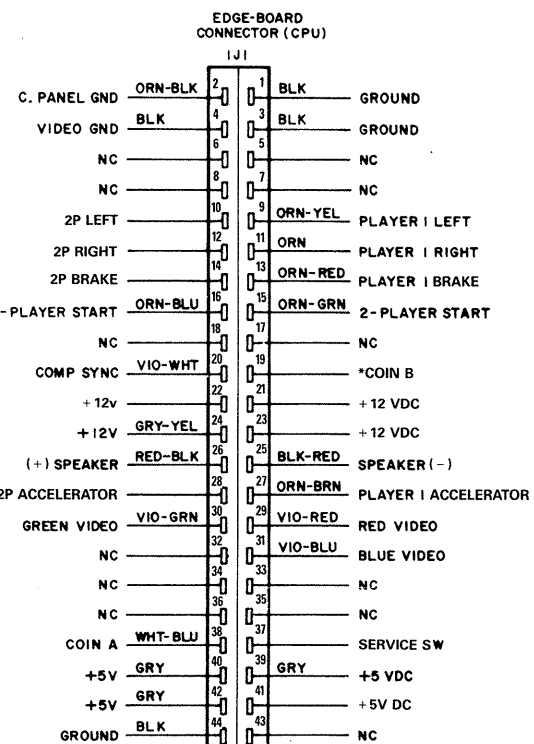


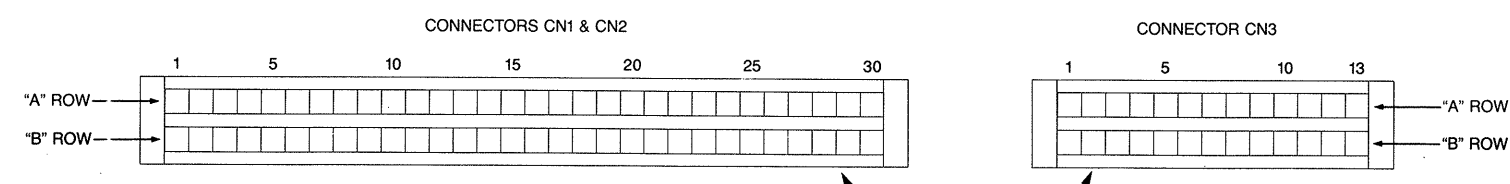
INTERBOARD WIRING



C-8809 heat sink assembly
 Part No. Description
 6162-09425 2N6057 Transistor, NPN
 5181-09522 2N3055 Transistor, NPN
 5705-09664 Heat Sink
 5700-09445 Socket, TO3
 5701-09562 Thermal Pad
 4006-01003-10 Machine Screw 6-32x5/8"



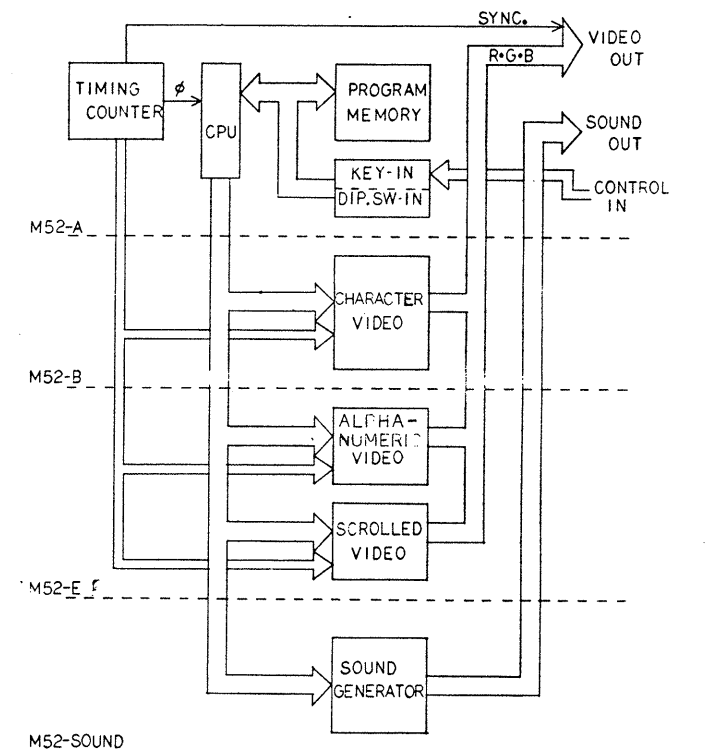
* ON GAMES USING 2 TYPES OF COIN METERS, PIN 19 HAS A BLU WIRE FROM COIN B.



Connector CN1			Connector CN2			Connector CN3		
PIN NO.	DESCRIPTION	PIN NO.	DESC.	PIN NO.	DESC.	PIN NO.	DESCRIPTION	PIN NO.
1A	6 MHz	16A	VE2	1A	MB1	16A	MB5	1A
1B	TMRP	16B	GND	1B	MB4	16B	+5V	1B
2A	6 MHz	17A	VE4	2A	MB2	17A	MB6	2A
2B	N/C	17B	GND	2B	MB3	17B	+5V	2B
3A	7 HB	18A	VEB	3A	MB4	18A	MB7	3A
3B	N/C	18B	GND	3B	MB1	18B	+5V	3B
4A	7 HB	19A	VE16	4A	MB8	19A	MB8	4A
4B	ICPR	19B	GND	4B	MB10	19B	+5V	4B
5A	MBUS	20A	VE32	5A	MB16	20A	MB9	5A
5B	BLUE	20B	GND	5B	MB12	20B	+5V	5B
6A	MBUS	21A	VE54	6A	MB32	21A	GND	6A
6B	RED	21B	GND	6B	MB15	21B	+5V	6B
7A	VBUS	22A	VE128	7A	MB64	22A	COORD	7A
7B	GND	22B	GND	7B	+5V	22B	+5V	7B
8A	VBUS	23A	DB0	8A	MB128	23A	COORDS	8A
8B	GND	23B	HE1	8B	+5V	23B	V256	8B
9A	VB1	24A	DB1	9A	MB256	24A	RESET	9A
9B	GND	24B	HE2	9B	+5V	24B	DMT	9B
10A	GND	25A	DB2	10A	MB1	25A	MSB	10A
10B	GND	25B	HE4	10B	+5V	25B	H30	10B
11A	GREEN	26A	DB3	11A	MB0	26A	109QB	11A
11B	GND	26B	HE8	11B	+5V	26B	ICPR*	11B
12A	C-FLIP 1	27A	DB4	12A	MB1	27A	HP5B	12A
12B	GND	27B	HE16	12B	+5V	27B	30IM	12B
13A	C-FLIP 2	28A	DB5	13A	MB2	28A	RGB	13A
13B	GND	28B	HE32	13B	+5V	28B	NOT USED	13B
14A	FLIP	29A	DB6	14A	MB3	29A	M1B	14A
14B	GND	29B	HE64	14B	+5V	29B	NOT USED	14B
15A	YE1	30A	DB7	15A	MB4	30A	MSOB	15A
15B	GND	30B	HE128	15B	+5V	30B	NOT USED	15B

TMRP = ALPHA NUMERIC PRIORITY
 ICPR = CHARACTER PRIORITY*

ICPR* = CHARACTER PRIORITY*



DIP SWITCH SETTINGS

DIP SWITCH NO. 1

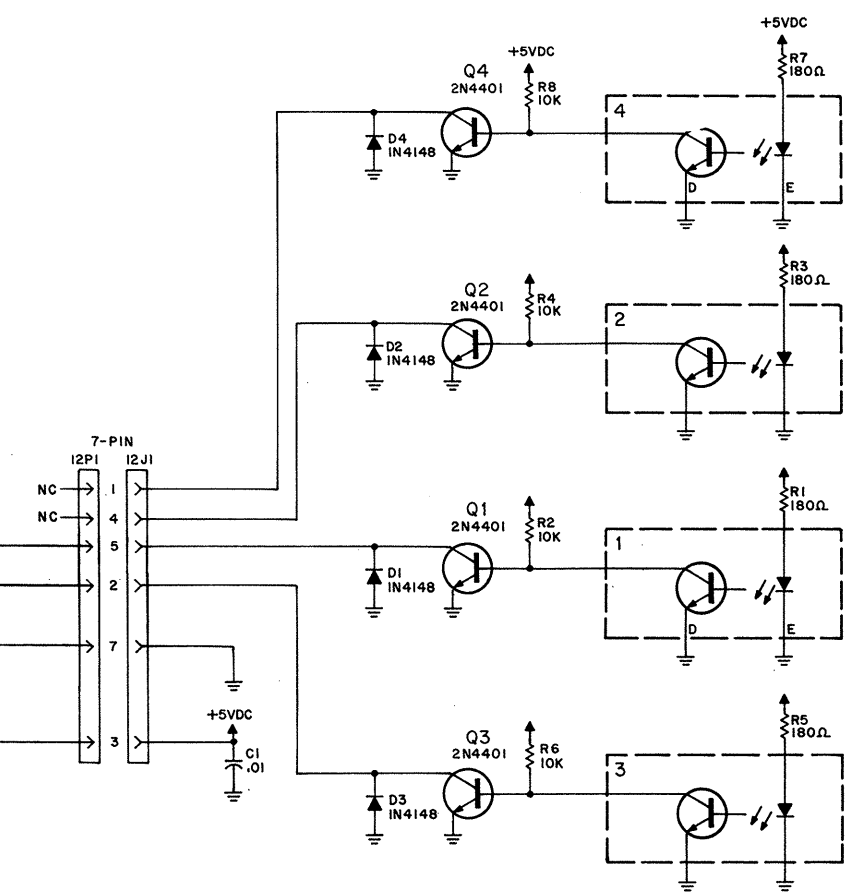
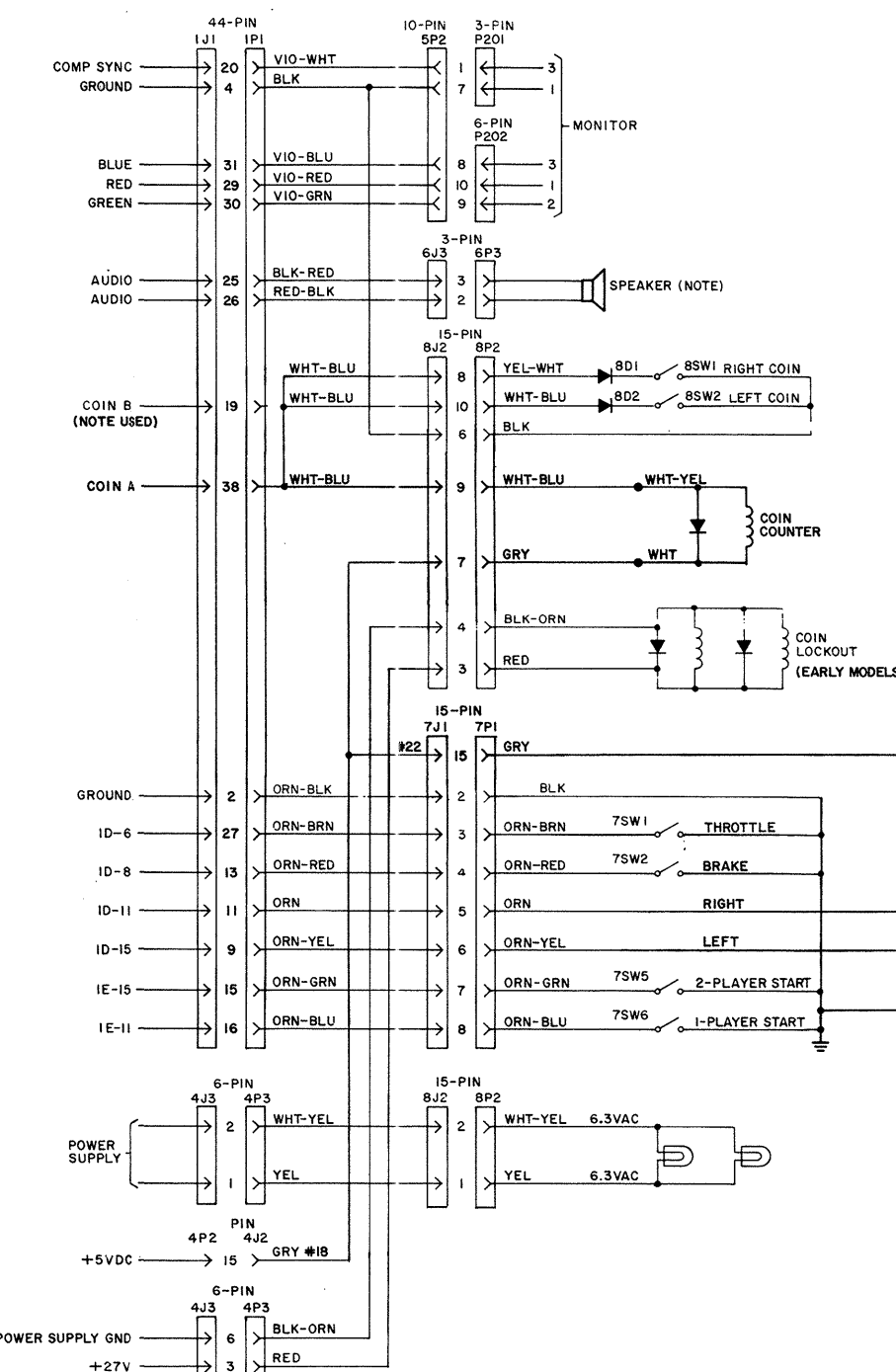
ADJUSTMENT	OPTIONS	SWITCH NUMBER							
		1	2	3	4	5	6	7	8
RECOMMENDED SETTINGS		ON	OFF	OFF	ON	OFF	OFF	ON	OFF
COIN MODE 1*	6 PLAYS/1 COIN	ON	OFF	OFF	ON	OFF	OFF	ON	OFF
	5 PLAYS/1 COIN	ON	OFF	OFF	ON	OFF	OFF	ON	OFF
	4 PLAYS/1 COIN	ON	OFF	OFF	ON	OFF	OFF	ON	OFF
	3 PLAYS/1 COIN	ON	OFF	OFF	ON	OFF	OFF	ON	OFF
	2 PLAYS/1 COIN	ON	OFF	OFF	ON	OFF	OFF	ON	OFF
COIN MODE 2	1 PLAY/1 COIN	ON	OFF	OFF	ON	OFF	OFF	ON	OFF
	1 PLAY/2 COINS	ON	OFF	OFF	ON	OFF	OFF	ON	OFF
	1 PLAY/4 COINS	ON	OFF	OFF	ON	OFF	OFF	ON	OFF
	1 PLAY/6 COINS	ON	OFF	OFF	ON	OFF	OFF	ON	OFF
	FREE PLAY	OFF	ON	ON	OFF	OFF	OFF	ON	ON
CHUTE MODE 2	1 PLAY/1 COIN	ON	OFF	OFF	ON	OFF	OFF	ON	OFF
	1 PLAY/3 COINS	ON	OFF	OFF	ON	OFF	OFF	ON	OFF
FREE PLAY	2 PLAYS/1 COIN	ON	OFF	OFF	ON	OFF	OFF	ON	OFF
	3 PLAYS/1 COIN	ON	OFF	OFF	ON	OFF	OFF	ON	OFF
PERCENT OF FUEL LOST IN COLLISION	8.3% Low	OFF	ON	ON	OFF	OFF	OFF	ON	ON
	11.7%	OFF	ON	ON	OFF	OFF	OFF	ON	ON
	15.0%	OFF	ON	ON	OFF	OFF	OFF	ON	ON
	18.3% Max	OFF	ON	ON	OFF	OFF	OFF	ON	ON
	LOW	OFF	ON	ON	OFF	OFF	OFF	ON	ON
FUEL CONSUMPTION	LOW	OFF	ON	ON	OFF	OFF	OFF	ON	ON
	HIGH	OFF	ON	ON	OFF	OFF	OFF	ON	ON
CONTINUED PLAY	NO	OFF	ON	ON	OFF	OFF	OFF	ON	ON
	YES	OFF	ON	ON	OFF	OFF	OFF	ON	ON

DIP SWITCH NO. 2

ADJUSTMENT	OPTIONS	SWITCH NUMBER							
		1	2	3	4	5	6	7	8
RECOMMENDED SETTINGS		OFF	ON	OFF	OFF	OFF	OFF	OFF	OFF
FLIP PICTURE	NO	OFF	ON						
	YES	OFF	ON						
CABINET TYPE	UPRIGHT	OFF	ON						
	TABLE	OFF	ON						
COIN MODE SETTINGS FOR DIP SWITCH 1	COIN MODE 1	OFF	ON						
	COIN MODE 2	OFF	ON						
UNIT OF DISTANCE	MILE	OFF	ON						
	KILOMETER	OFF	ON						
FREEZE PICTURE	NO	OFF	ON						
	YES	OFF	ON						
DEMO MODE	NO	OFF	ON						
	YES	OFF	ON						
TEST MODE	NO	OFF	ON						
	YES	OFF	ON						
SWITCH 6 (not used)	NO	OFF	ON						
	YES	OFF	ON						

*Recommended settings are indicated with bullets (•).
 *For games with a single coin selector or two selectors of the same value, switch 3 on Dip Switch 2 must be turned Off. For games with selectors for two different coin values, switch 3 must be turned ON.
 *Switches 4 and 5 of Dip Switch #2 MUST BE SET TO OFF.
 *Permits a player to continue a game at the same point where he left off (on the previous coin).

CABINET WIRING



POWER WIRING

