

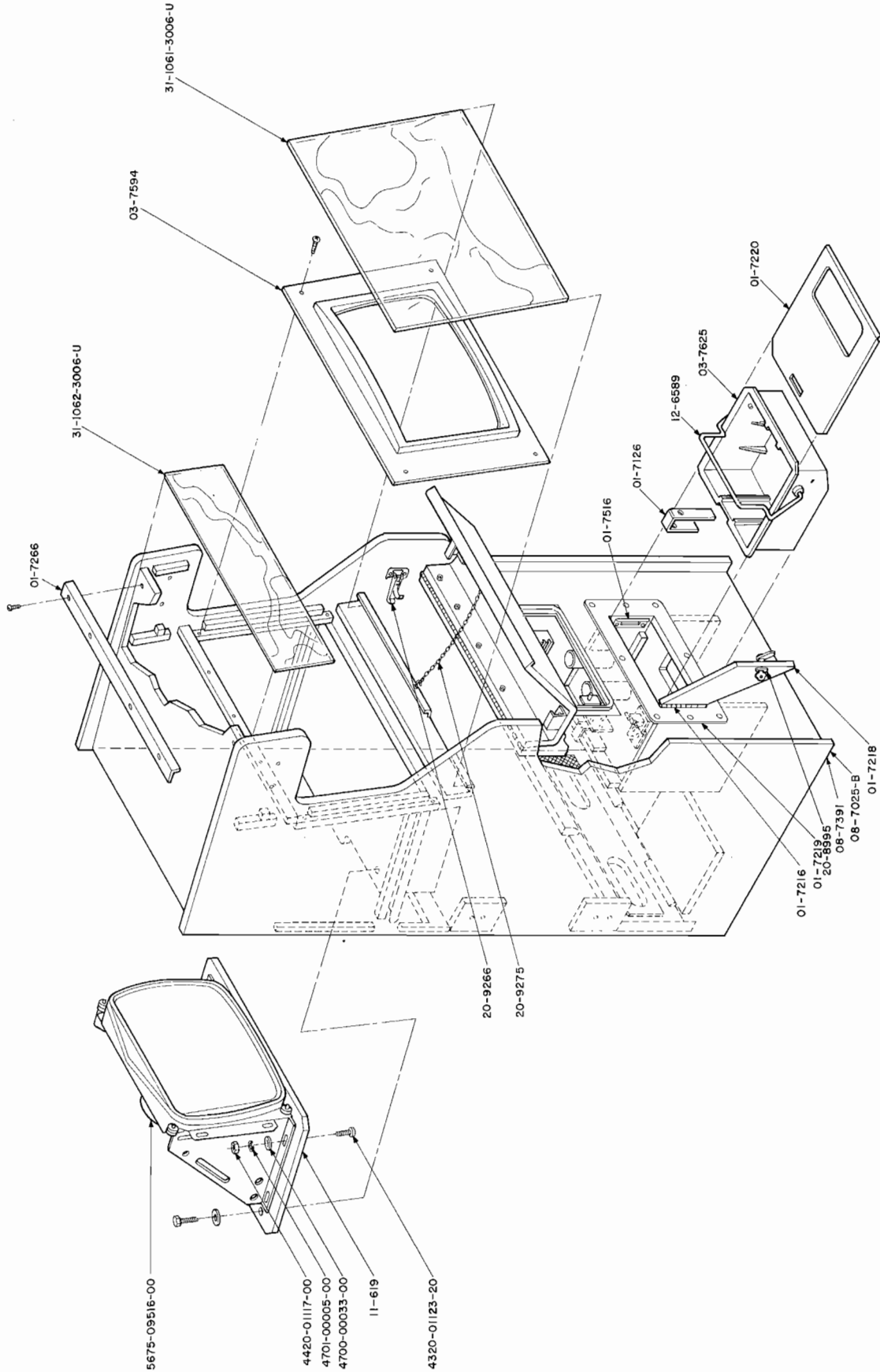


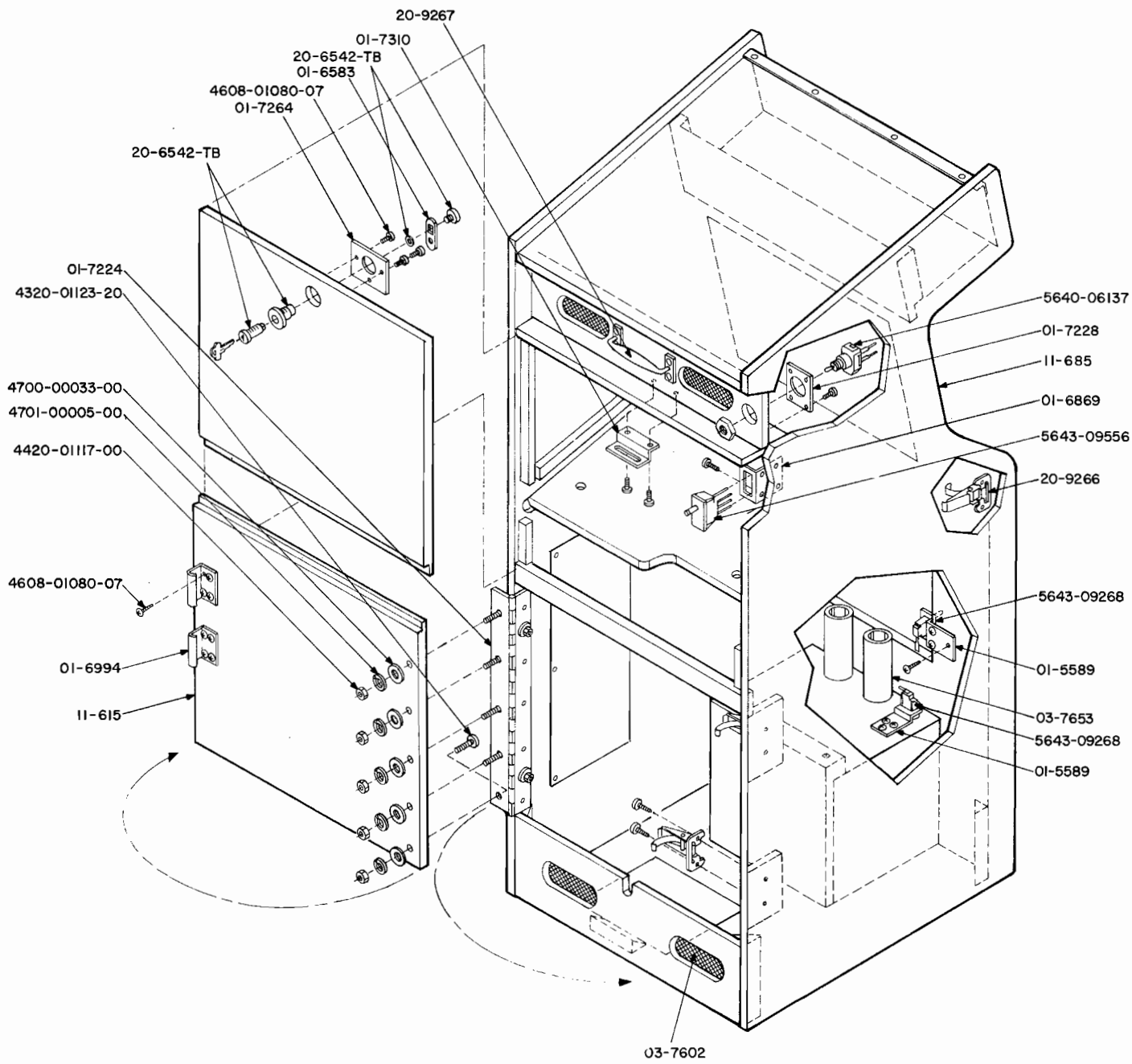
16-3006-110
November, 1982



UPRIGHT PARTS CATALOG

Williams® 
ELECTRONICS, INC.
3401 N. California Ave.
Chicago, IL 60618
Cable Address: WILCOIN, CHICAGO
(312) 267-2240





LIGHT REFLECTOR ASSY
D-8374

