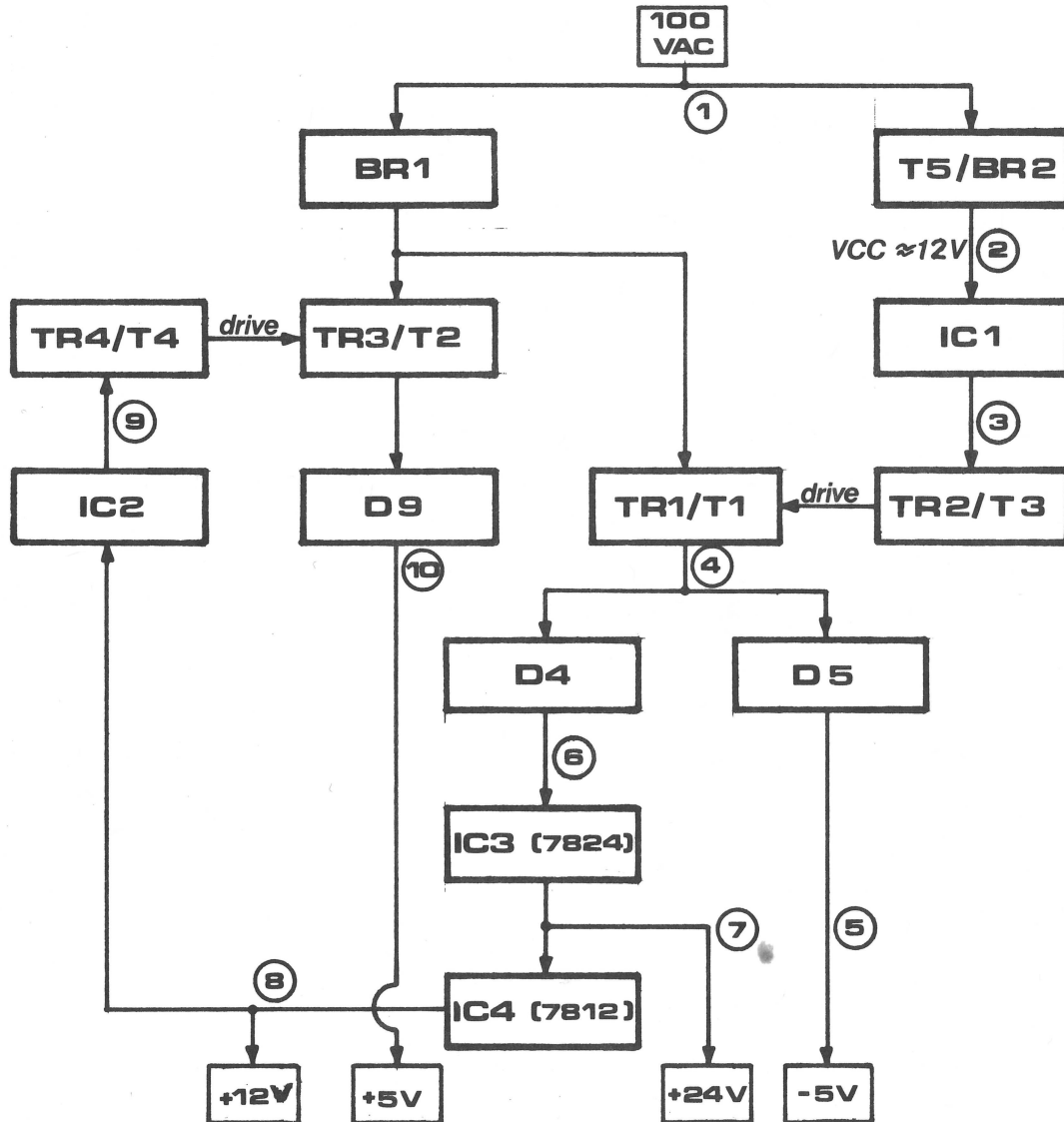
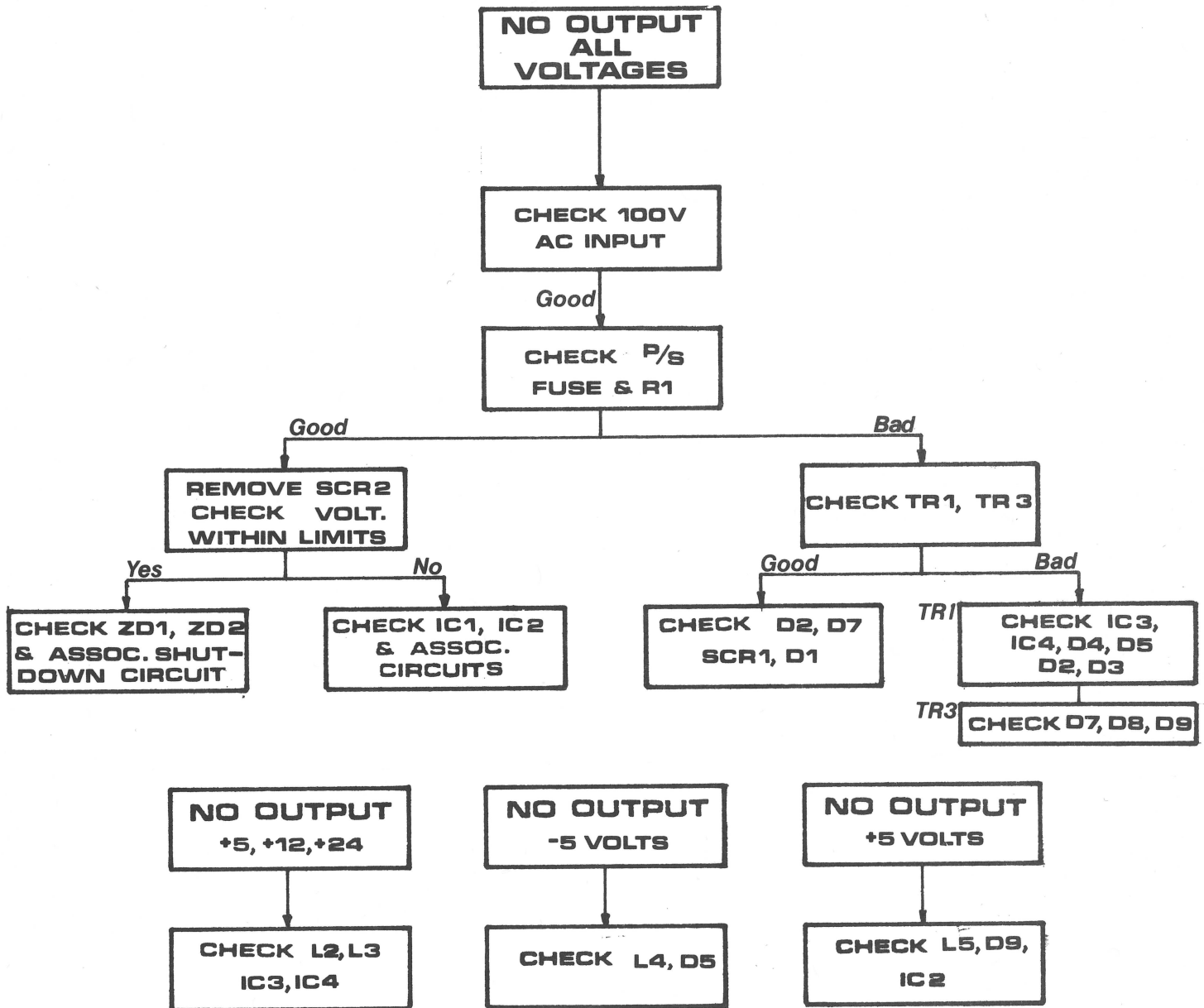


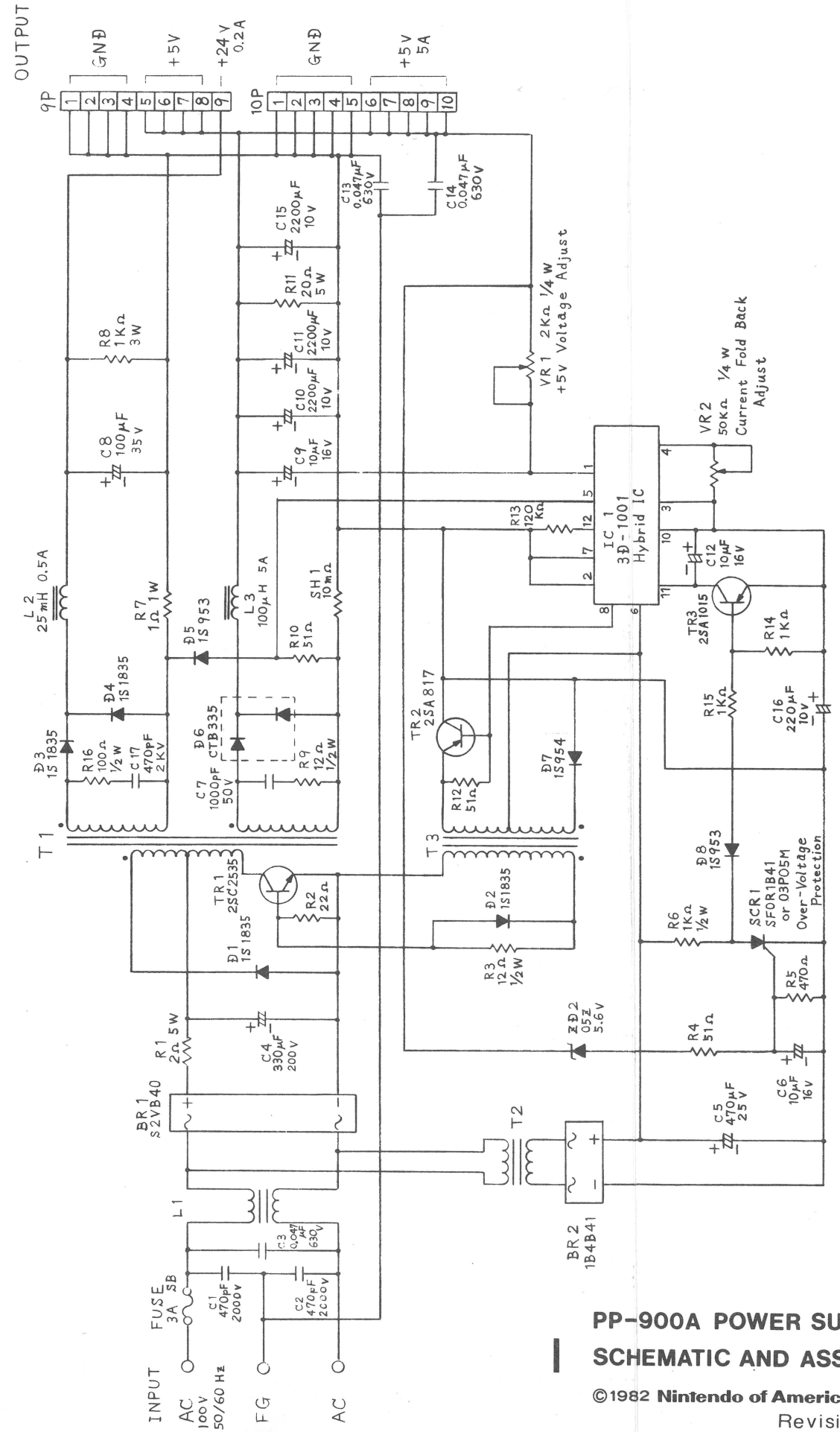
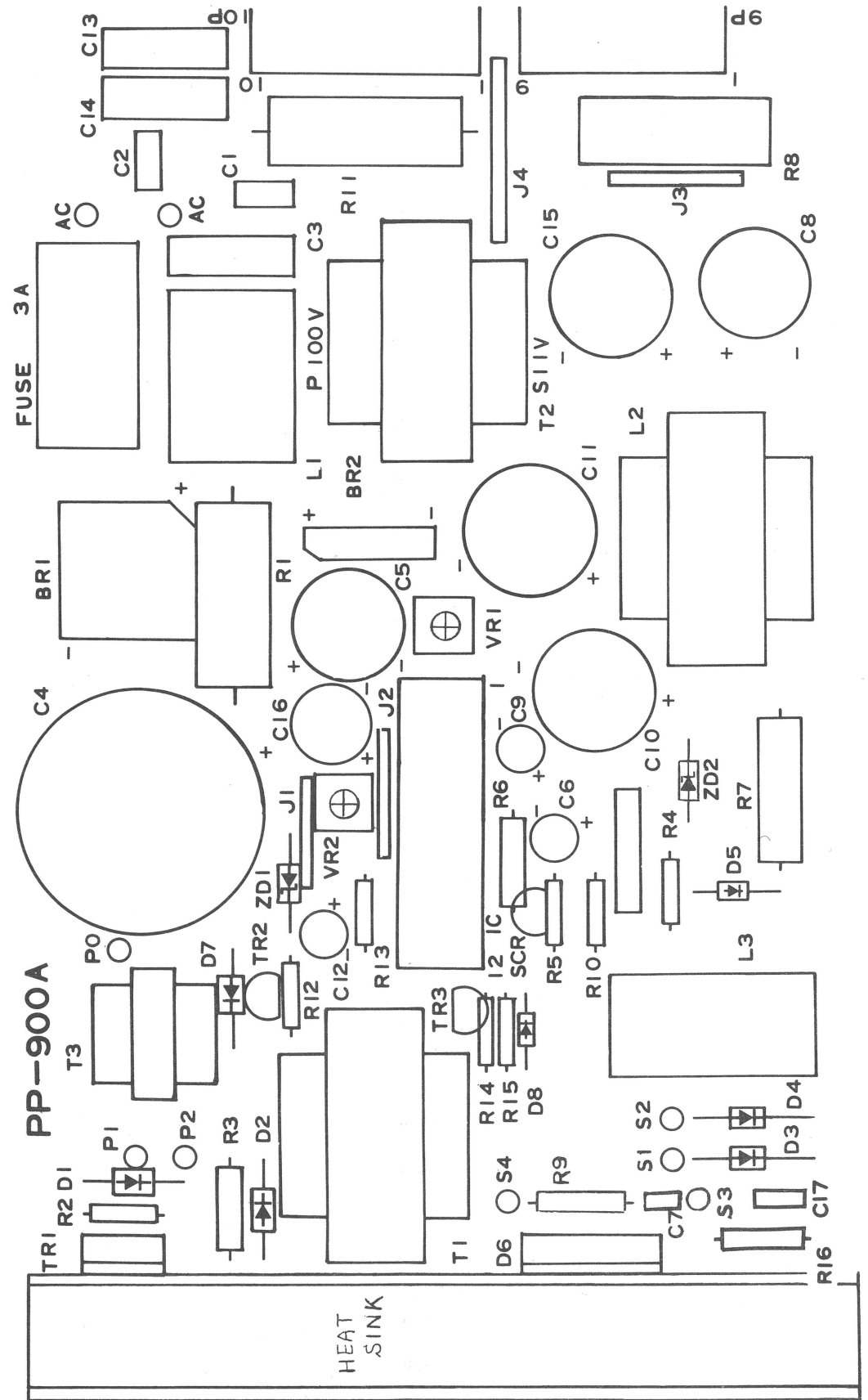
SWITCHING POWER SUPPLY Block Diagram



- ① 100VAC is stepped down and rectified
- ② VCC (12VDC) is applied to IC1; starts switching
- ③ IC1 switching drives TR2/T3, which in turn drives TR1/T1
- ④ Secondary of T1 output is rectified by D4 & D5
- ⑤ After filtering, D5 output is -5V
- ⑥ D4 output supplies 3 terminal regulator 7824
- ⑦ 7824 output is +24V; also drives 3 terminal regulator 7812
- ⑧ 7812 output is +12V; also VCC for IC2
- ⑨ IC2 switching drives TR4/T4; which in turn drives TR3/T2
- ⑩ D9 rectifies T2 output which becomes +5V

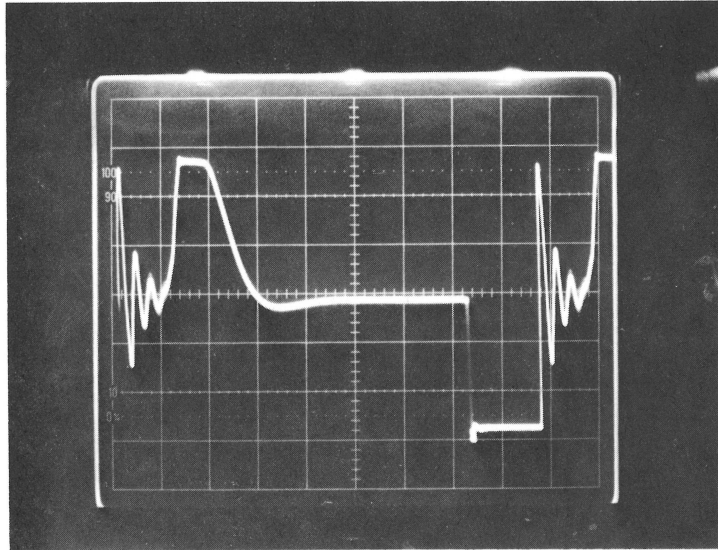
Trouble Shooting chart for PP-7B



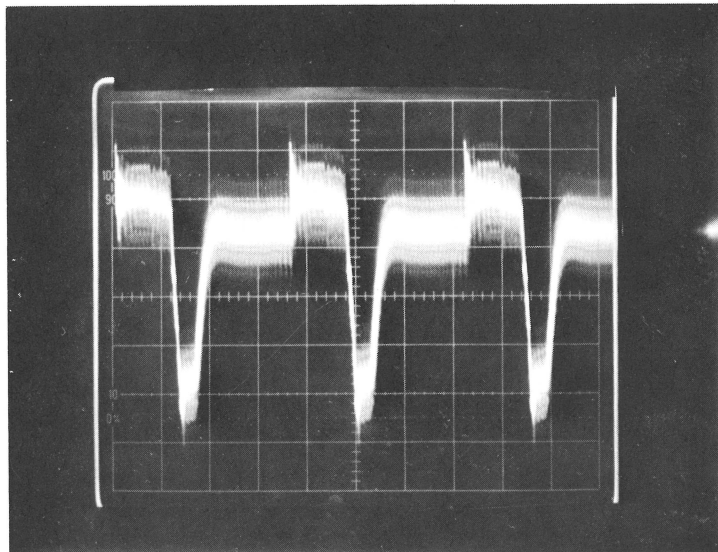


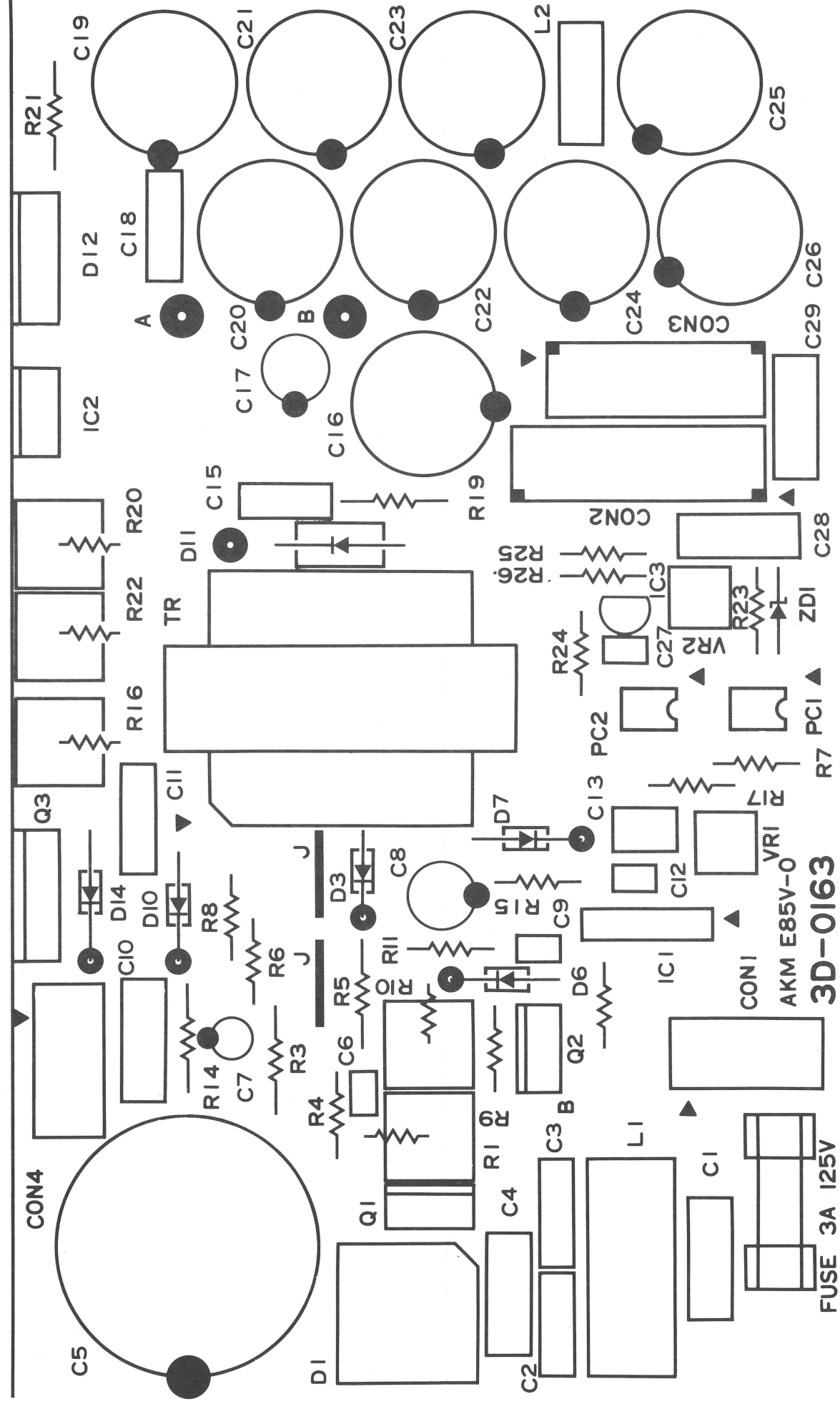
**PP-900A POWER SUPPLY
SCHEMATIC AND ASSEMBLY**
©1982 Nintendo of America Inc.
Revision 1

IC1/IC2 Pin 8 5V/div; 2uS



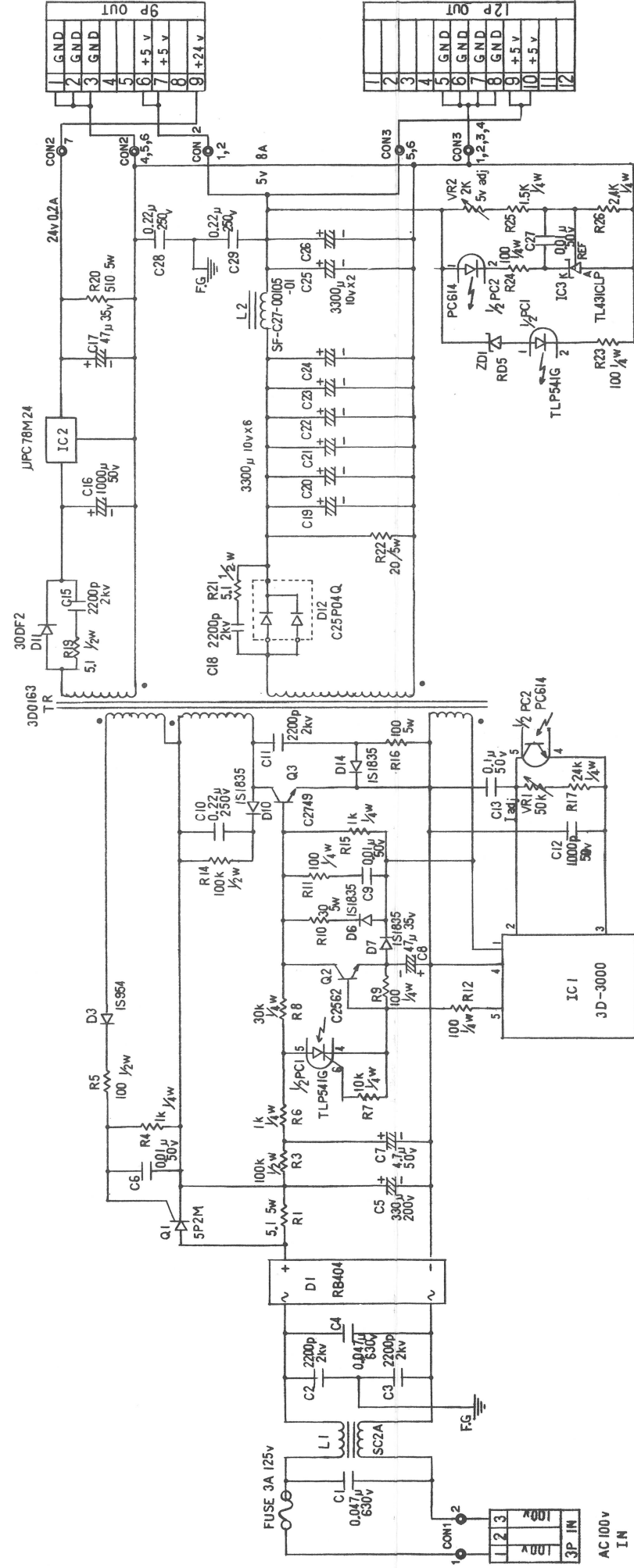
TR3/TR5 Base signal 1V/div; 5uS





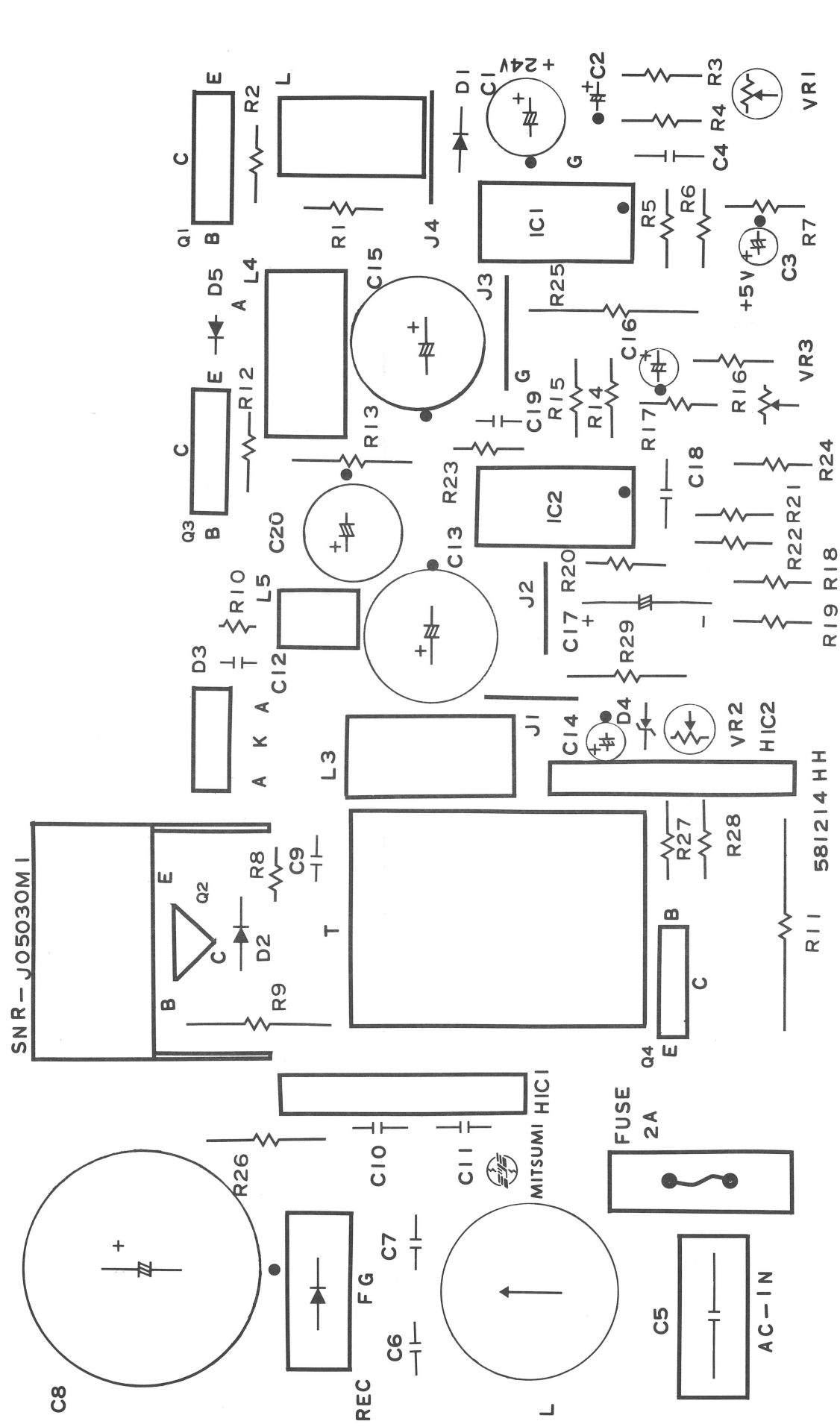
G PP-1000A POWER SUPPLY ASSEMBLY

©1983 Nintendo of America Inc.

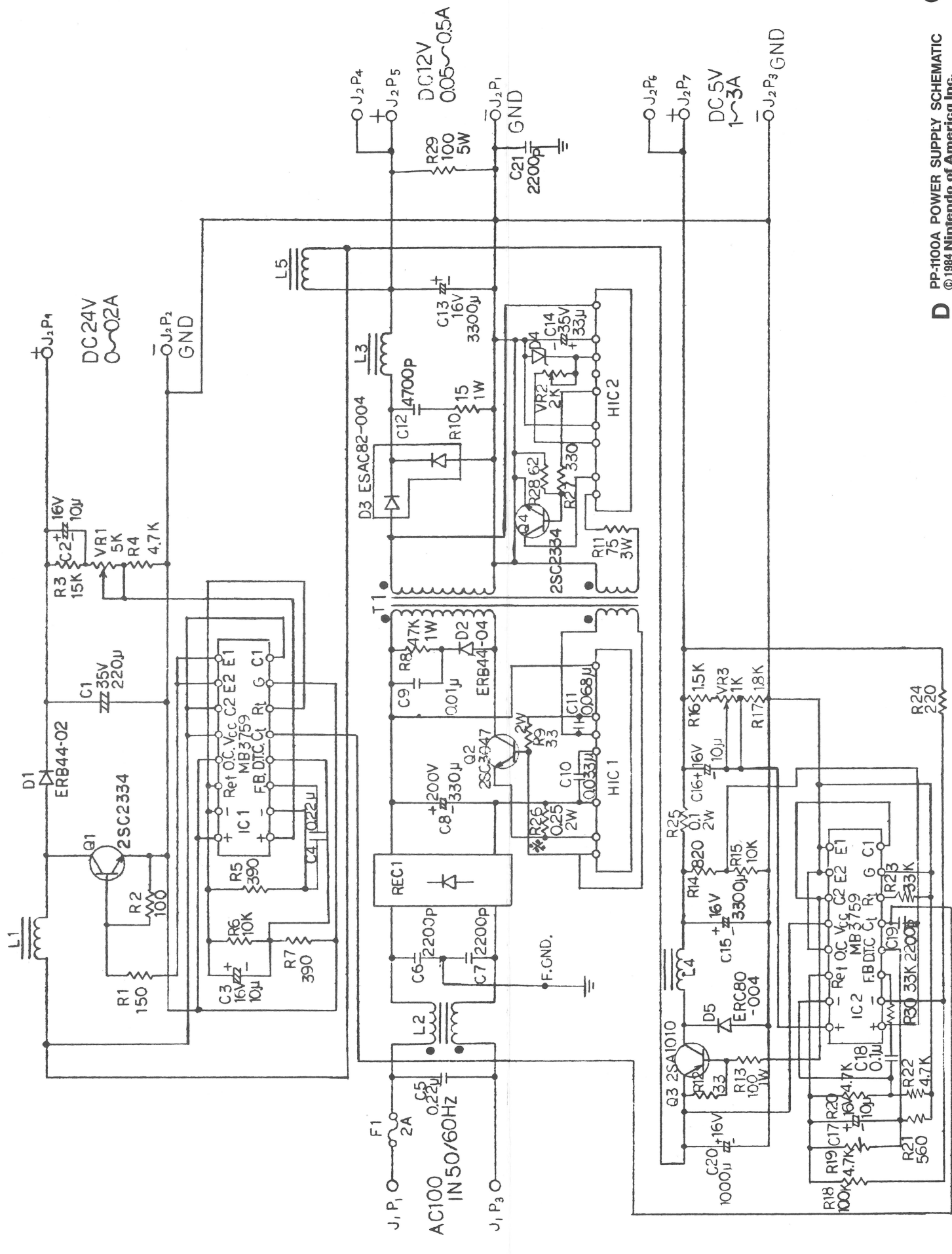


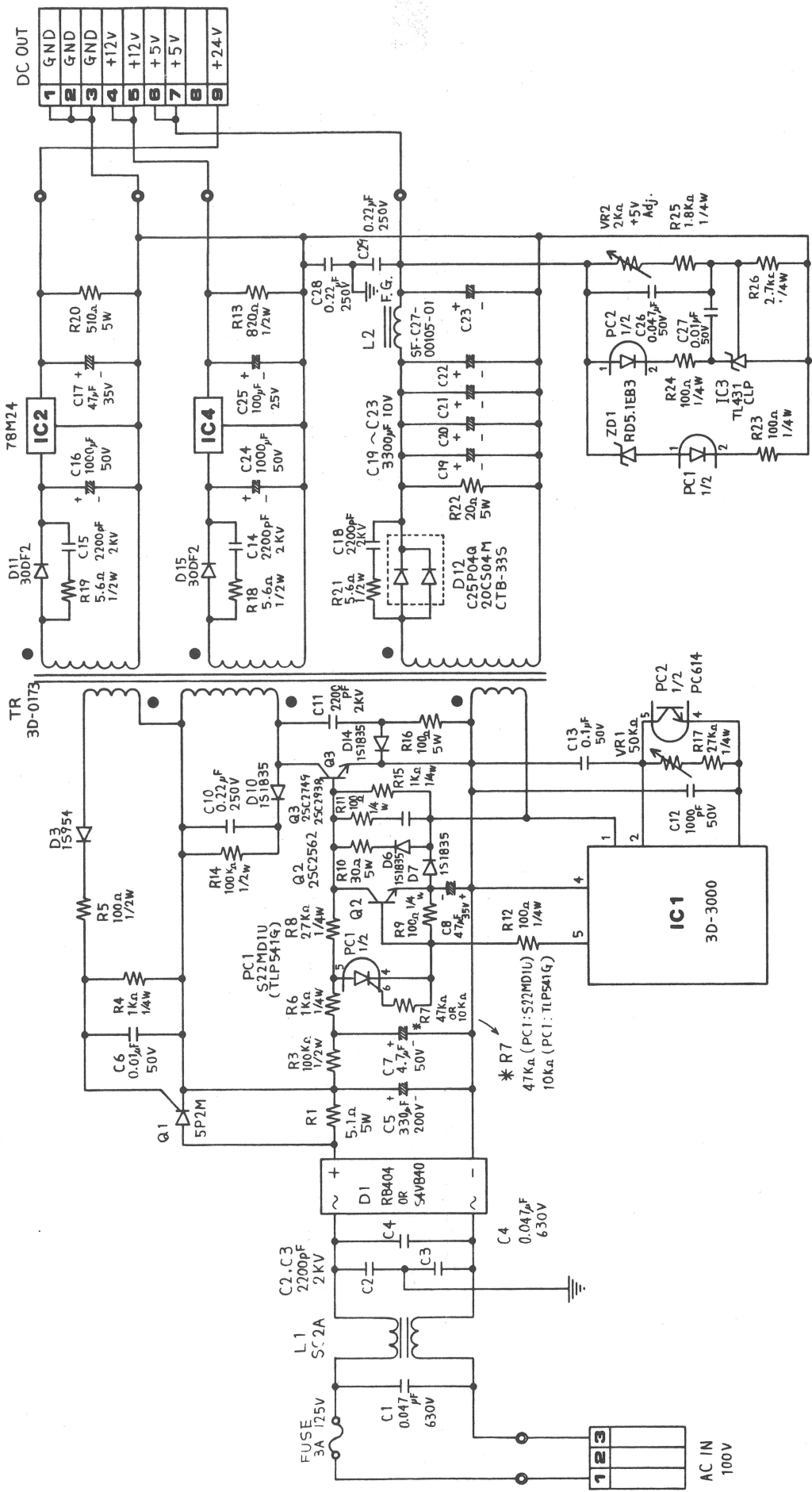
H PP-1000A POWER SUPPLY SCHEMATIC

©1983 Nintendo of America Inc.



C PP-100A POWER SUPPLY ASSEMBLY
© 1984 Nintendo of America Inc.





SCHEMATIC

APPROVED BY: _____

SCALE: _____

DATE: 3-9-8x

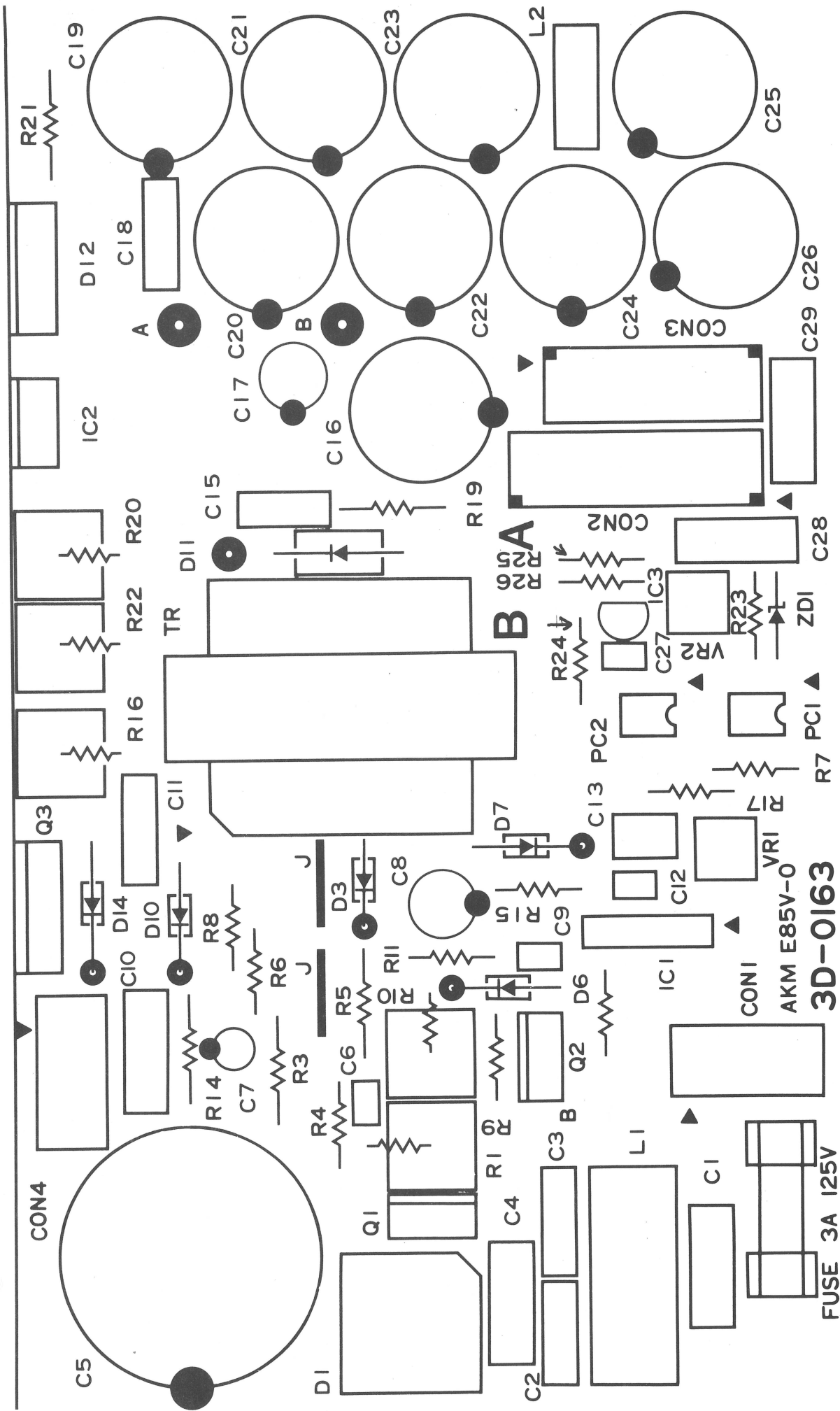
POWERED BY: _____

REVIEWED: _____

Power Supply PP-1200A

DRAWING NUMBER: _____

Nintendo of America Inc.



G PP-1000A POWER SUPPLY ASSEMBLY

G

©1983 Nintendo of America Inc.

NOTES