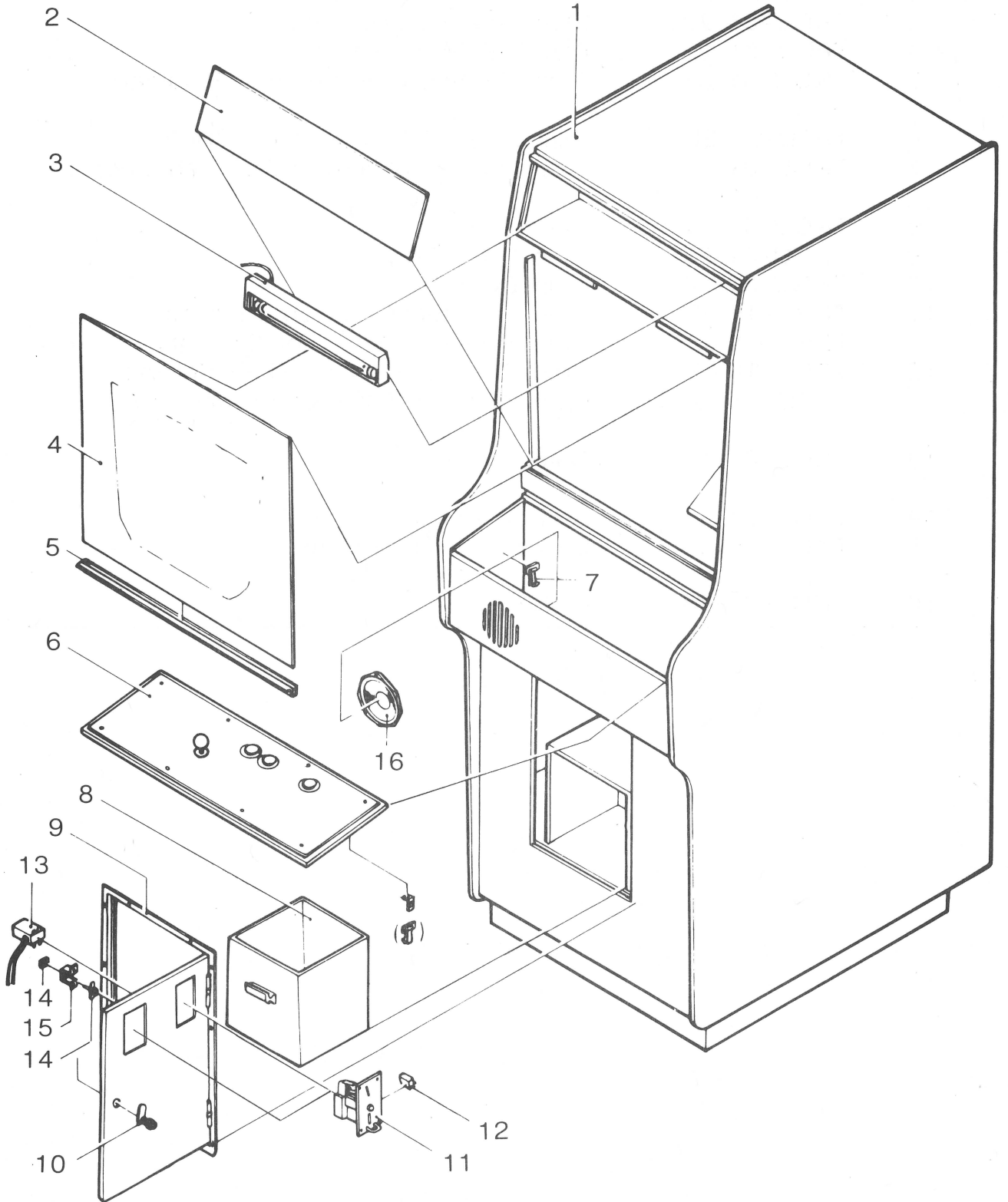


Name of each part and Parts List

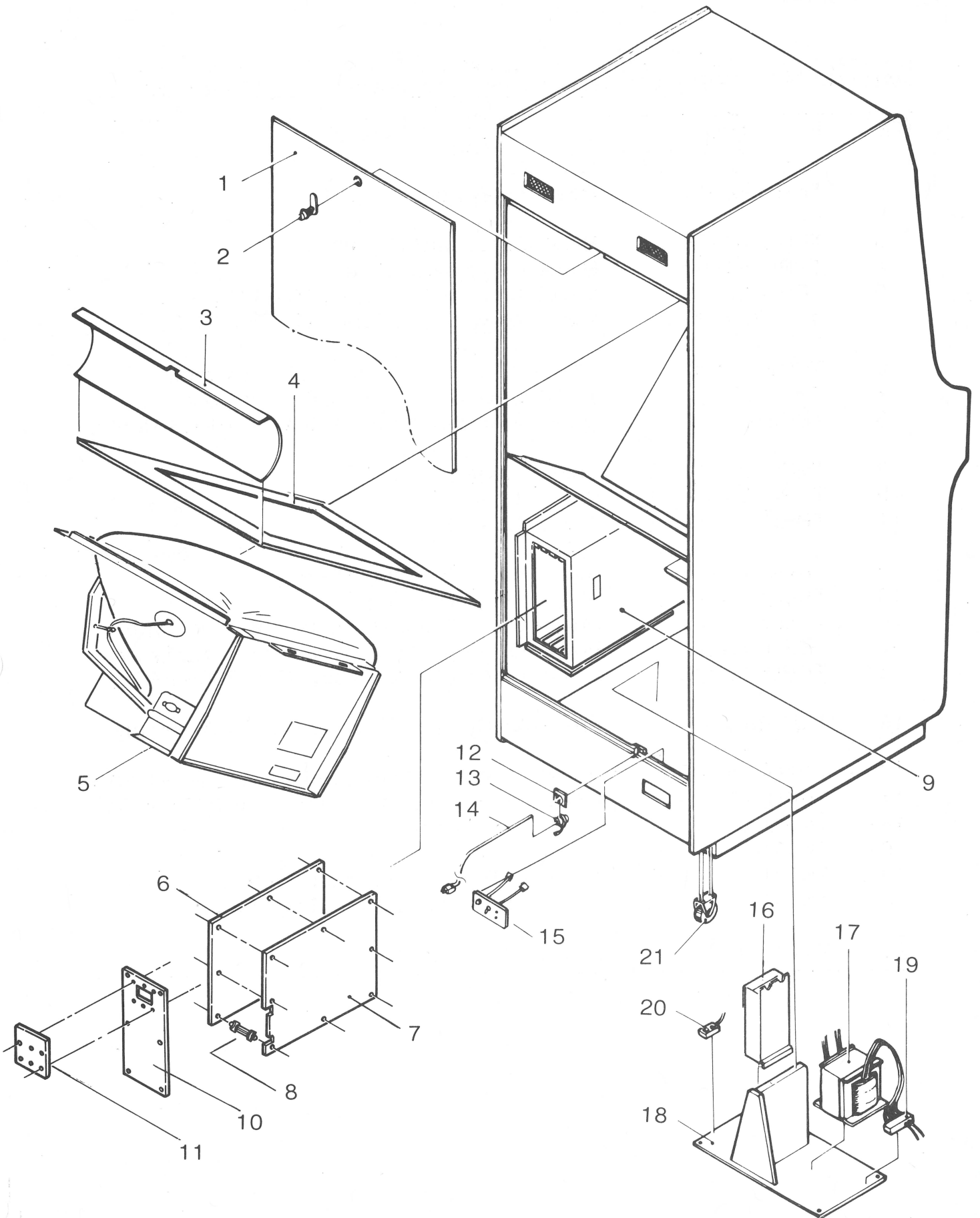


Front View of Game Cabinet

PARTS LIST : TPP2-UP Game Cabinet Assembly

Continued

ITEM	PART No.	DESCRIPTION
1	TPPU-01-01-01	Body (Wooden Game Cabinet)
2	TPPU-01-24	POPEYE Display Panel
3	TKGU-01-29	Fluorescent Lamp Assy.
4	TPPU-01-23	POPEYE Front Screen
5	TKGU-01-53	Front Screen Frame (Lower Retainer)
6	TPPU-01-22	Plastic POPEYE Operation Panel
7	TKGU-01-31	Operation Panel Clamp A (2 Required)
8	TKGU-01-01-03	Cash Box
9	TKGU-01-28	Coin Door Assy.
10	TKGU-01-04	Coin Door Lock
11	TPPU-01-02	Coin Selector : Order By Currency
	TPPU-01-02	Coin Selector 730A (For 25 cent)
12	TPPU-01-02-01	Coin Switch : Order By Coin Selector
	TPPU-01-02-01	Coin Switch D2MC-01F1 (For 730A)
13	TKGU-01-11	Game Counter
14	TKGU-01-33	Service Switch
15	TKGU-01-64	Service Switch Bracket
16	TKGU-01-43	Speaker

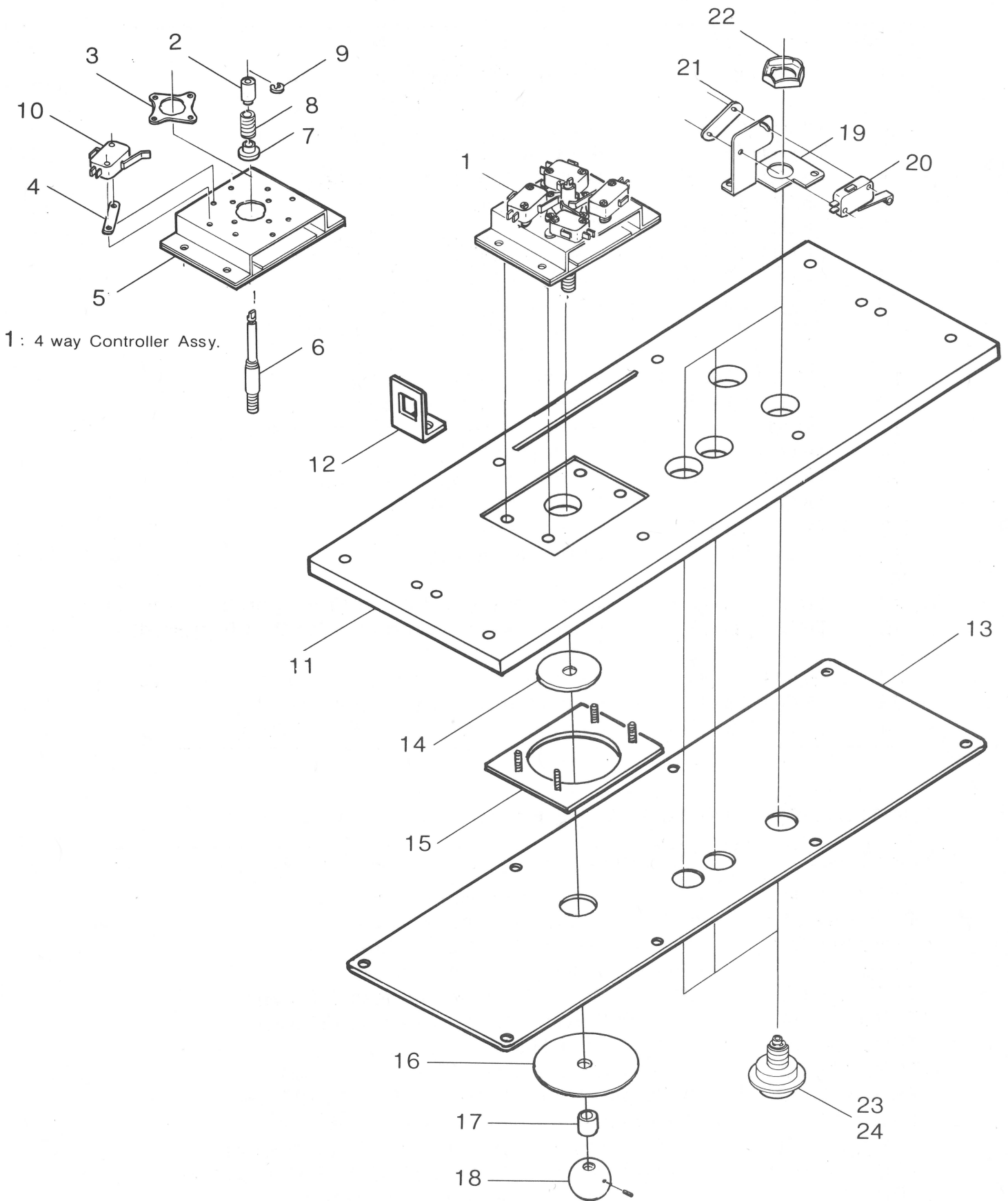


Rear View of Game Cabinet

PARTS LIST : TPP2-UP Game Cabinet Assembly

Continued

ITEM	PART No.	DESCRIPTION
1	TKGU-01-01-05	Rear Panel
2	TKGU-01-03	Rear Panel Lock
3	TPPU-01-68	Blind Cardboard (Small)
4	TPPU-01-67	Black Cardboard Bezel
5	TPPU-20-00 or TKGU-20-00	Video Monitor [32 Type] 20-EZV (R-C) Video Monitor [31 Type] 20-EZV (R-B)
6	TPP2-06-00	TPP2-VIDEO Complete PCB Assembly
7	TPP2-07-00	TPP2-CPU Complete PCB Assembly
8	TPP2-01-20	Dual Locking-head PCB Spacer 10N(8 Req'd)
9	TPPU-01-01-10	Shield Cage
10	TPPU-01-01-11	Shield Cover
11	TPPU-01-01-12	031-FCC PCB
12	TKGU-01-65	Strain Relief Bushing Plate
13	TKGU-01-10	Strain Relief Bushing
14	TKGU-01-08	Power Cord: Order By Voltage & Plug Type
15	TPPU-10-00	Power On/Off Switch Assy. (For 90~120V)
15	TPPU-11-00	Power On/Off Switch Assy. (For 200~240V)
16	TPP-08-00	PP-900A Complete Power Supply Assembly
17	TPPU-09-01-01	PT-921A Power Transformer (For 90~120V)
17	TPPU-19-01-01	PT-922A Power Transformer (For 200~240V)
18	TKGU-01-01-02	Transformer Base
19	TKGU-09-01-03	Terminal Block 6-Position Type
19	TKGU-19-01-03	Terminal Block 4-Position Type
20	TKGU-09-01-02	Outlet Through Isolation Transformer
21	TKGU-01-30	Caster (2 Required)



1: 4 way Controller Assy.

Operation Panel Assembly

PARTS LIST: TPP2-UP Operation Panel Assembly

ITEM	PART No.	DESCRIPTION
1	TKGU-23-50	Complete 4 way Controller Assy.
2	TKGU-23-21	Switch Collar
3	TKGU-23-51	4 way Guide Plate
4	TKGU-23-17	Switch Spacer (4 Required)
5	TKGU-23-16	Bearing Bracket
6	TKGU-23-19	Shaft
7	TKGU-23-20	Spring Stopper
8	TKGU-23-22	Lever Spring
9	TKGU-23-23	E Ring 4
10	TKGU-23-13	Control Switch (4 Required)
11	TKGU-01-01-04	Wooden Operation Base
12	TKGU-01-55	Operation Panel Clamp B
13	TPPU-01-22	Plastic POPEYE Operation Panel
14	TKGU-23-14	Blind Plate
15	TKGU-01-39	Controller Assy. Mounting Plate
16	TKGU-01-70	Controller Knob Plate
17	TKGU-23-29	Controller Knob Collar
18	TKGU-01-41	Controller Knob
19	TKGU-23-12	Switch Button Bracket (3 Required)
20	TKGU-23-10	Button Micro-switch VL105L2 (3 Required)
21	TKGU-23-26	Nut Plate (3 Required)
22	TKGU-23-34	Pal Nut (3 Required)
23	TKGU-23-31	Blue Button Assy. (For 1P, 2P)
24	TKGU-23-32	Orange Button Assy. (For Punch)

PARTS LIST: TPP2-UP Wiring Harness

PART No.	DESCRIPTION	See Fig. 19
TPPU-93-01	UP 44P Edge Connecting Harness	
TPPU-93-31	44P 031-FCC PCB Harness	
TPPU-93-02	2P-400 Audio Harness (400mm)	
TPPU-93-07	6P-600 Video Harness (600mm)	
TPPU-93-03	3P-260 Game Counter Harness (260mm)	
TPPU-93-04	4P-300 Service Switch Harness (300mm)	
TPPU-93-05	4P-270 Coin Harness (270mm)	
TPPU-93-06	4P-270 Double Coin Harness (270mm)	
TKGU-13-06	2P Speaker TV Harness [2P-370] (370mm)	
TKGU-13-17	2P Speaker Harness [2P-860] (860mm)	
TPPU-93-08	9P 031 Power Harness (9P-9P Connector)	
TPPU-93-09	12P 031 Power Harness (10P-12P Connector)	
TPPU-93-10	UP 42 Type Operation Panel Harness	
DJRU-13-12	50P Flat Cable [50P-40] (2 Required)	
TPPU-93-11	10P-130 Power Harness (130mm)	
or DJR-89-11	10P Power Harness [10P-180] (180mm)	

PARTS LIST : TPP2-CPU PCB Assembly

Continued

No.	DESCRIPTION (Reference Designations and Locations)
TPP2-07-00	TPP2-CPU Complete PCB Assembly
TPP2-07-01	Z80A Microprocessor (5J)
TPP2-07-02	AY-3-8910 Audio I/O MOS LSI with Heat Sink (7L)
TPP2-07-03	2764 8K byte EPROM 300 nsec. : TPP2-C-7A (7A)
TPP2-07-04	2764 8K byte EPROM 300 nsec. : TPP2-C-7B (7B)
TPP2-07-05	2764 8K byte EPROM 300 nsec. : TPP2-C-7C (7C)
TPP2-07-06	2764 8K byte EPROM 300 nsec. : TPP2-C-7E (7E)
TPP2-07-07	MB7051 32 X 8 bit Bipolar ROM : TPP2-C-3A (3A)
TPP2-07-08	MB7051 32 X 8 bit Bipolar ROM : TPP2-C-4A (4A)
TPP2-07-09	MB7052 256 X 4 bit Bipolar ROM : TPP2-C-5A (5A)
TPP2-07-10	MB7052 256 X 4 bit Bipolar ROM : TPP2-C-5B (5B)
TPP2-07-11	Selected Decoder : TPP2-C-7J (7J)
TPP2-07-12	PLA : TPP2-C-3E (3E)
TPP2-07-13	PLA : TPP2-C-4E (4E)
TPP2-07-14	PLA : TPP2-C-6E (6E)
TPP2-07-15	PLA : TPP2-C-6F (6F)
TPP2-07-16	PLA : TPP2-C-6H (6H)
TPP2-07-17	TMM2016 2K byte RAM 200 nsec. (7H)
TPP2-07-18	28 Pin ALU Custom Chip (7K)
TPP2-07-19	75471 Dual 2-input NAND Driver (1P)
TPP2-07-20	7437 Quad 2-input NAND Buffer (5H)
TPP2-07-21	74123 Dual Retriggerable Monostable (3M)
TPP2-67-01	74LS00 Quad 2-input NAND (1B, 1D, 4L, 8D)
TPP2-07-22	74LS02 Quad 2-input NOR (2K, 3L, 5E, 6C, 8E)
TPP2-67-02	74LS04 Hex Inverter (1A, 4H, 4K)
TPP2-67-03	74LS08 Quad 2-input AND (3J)
TPP2-07-23	74LS14 Hex Schmitt-Trigger Inverter (3N)
TPP2-67-04	74LS20 Dual 4-input NAND (5D)
TPP2-67-05	74LS74 Dual D Type Flip-Flop (1C, 1L, 2D, 3K, 6D)
TPP2-07-24	74LS109 Dual J-K Flip-Flop (5F)
TPP2-07-25	74LS138 Single 3 to 8 Line Decoder (1E)
TPP2-67-06	74LS139 Dual 2 to 4 Line Decoder (8C, 8F)
TPP2-07-26	74LS151 8 to 1 Line Data Selector (5N)
TPP2-67-07	74LS161 Synchronous 4 bit Counter (1F, 2F, 2E, 2L)
TPP2-07-27	74LS240 Octal Inverted Buffer (2P, 3P, 4M)
TPP2-07-28	74LS245 Octal Bus Transceiver (6N)
TPP2-67-08	74LS367 Hex Bus Driver (2H, 3H)
TPP2-07-29	2SC1815 Silicon NPN Transistor (Q1, 2, 4, 6, 8)
TPP2-07-30	2SA1015 Silicon PNP Transistor (Q3, 5, 7, 9)
TPP2-67-09	1S1595 Diode (D1, 2, 6)
TPP2-07-31	1S2076 Diode (D3, 4, 5, 13)
TPP2-07-32	1S5277B Diode (D7)
TPP2-07-33	DAN401 Quad Cathode-common Diode Array (DA1~6)

No.	DESCRIPTION (Reference Designations and Locations)
TPP2-67-10	330 pF 50V Ceramic-Disc Capacitor (C5, 6)
TPP2-07-34	680 pF 50V Ceramic-Disc Cap. (C40)
TPP2-67-11	1000 pF 50V Ceramic-Disc Cap. (C1)
TPP2-07-35	.01 uF 50V Ceramic-Disc Cap. (C14, 19)
TPP2-67-12	.01 uF 50V Ceramic-Disc Cap. (C50 ~ 113)
TPP2-07-36	.047 uF 25V $\pm 20\%$ Ceramic-Disc Cap. (C4)
TPP2-07-37	.068 uF 25V Ceramic-Disc Cap. (C17, 20,21)
TPP2-07-38	3.3 uF 16V Al. Electrolytic Radial Cap. (C7, 18)
TPP2-07-39	33 uF 16V Al. Electrolytic Axial Cap. (C3, 15)
TPP2-07-40	47 uF 16V Al. Electrolytic Axial Cap. (C13)
TPP2-67-13	220 uF 16V Al. Electrolytic Axial Cap. (C12)
TPP2-07-41	10 uF 10V Tantalum Radial Cap. (C16)
TPP2-07-42	0 Ohm Shunt Lead (R84, 85)
All discrete R are Carbon Resistors	
TPP2-07-43	51 Ohm 1/4W $\pm 5\%$ Resistor (R35, 39,43, 47, 67)
TPP2-07-44	100 Ohm 1/4W $\pm 5\%$ Resistor (R36, 40, 44, 51, 63)
TPP2-07-45	110 Ohm 1/4W $\pm 5\%$ Resistor (R3)
TPP2-07-46	220 Ohm 1/4W $\pm 5\%$ Resistor (R18, 21, 23, 26, 29,31)
TPP2-67-14	330 Ohm 1/4W $\pm 5\%$ Resistor (R34, 38, 42, 46, 66, 82)
TPP2-07-47	360 Ohm 1/4W $\pm 5\%$ Resistor (R37, 41, 45)
TPP2-07-48	470 Ohm 1/4W $\pm 5\%$ Resistor (R10, 13, 15, 17, 20, 22, 25, 28, 30, 49,50)
TPP2-07-49	680 Ohm 1/4W $\pm 5\%$ Resistor (R9, 12, 14,48)
TPP2-07-50	820 Ohm 1/4W $\pm 5\%$ Resistor (R1, 2)
TPP2-67-15	1K Ohm 1/4W $\pm 5\%$ Resistor (R16, 19, 24, 27,73, 74, R90 ~ 98)
TPP2-07-51	1.2K Ohm 1/4W $\pm 5\%$ Resistor (R8, 11)
TPP2-07-52	2K Ohm 1/4W $\pm 5\%$ Resistor (R32, 53, 56,59)
TPP2-07-53	3.3K Ohm 1/4W $\pm 5\%$ Resistor (R81)
TPP2-07-54	5.1K Ohm 1/4W $\pm 5\%$ Resistor (R4 ~ 7, 52,55,58, 65,75)
TPP2-07-55	7.5K Ohm 1/4W $\pm 5\%$ Resistor (R33)
TPP2-07-56	10K Ohm 1/4W $\pm 5\%$ Resistor (R80)
TPP2-07-57	20K Ohm 1/4W $\pm 5\%$ Resistor (R54)
TPP2-07-58	30K Ohm 1/4W $\pm 5\%$ Resistor (R57, 60)
TPP2-07-59	33K Ohm 1/4W $\pm 5\%$ Resistor (R71,72)
TPP2-07-60	120K Ohm 1/4W $\pm 5\%$ Resistor (R61)
TPP2-07-61	510K Ohm 1/4W $\pm 5\%$ Resistor (R62, 64)
TPP2-07-62	Hex 5.1K Ohm Series Resistor Array (RM11)
TPP2-07-63	Octal 1K Ohm Series Resistor Array (RM7 ~ 10)
TPP2-07-64	Quad 68 Ohm Parallel Resistor Array (RM1 ~ 6)
TPP2-07-65	8.00 MHz Crystal (X1)
TPP2-07-66	4-Station, Single-Throw, DIP Bit Switch (SW1)
TPP2-07-67	8-Station, Single-Throw, DIP Bit Switch (SW2)
TPP2-67-16	16 Pin DIP IC Socket (3A, 4A, 5A, 5B)
TPP2-67-17	28 Pin DIP IC Socket (7A, 7B, 7C, 7E)
TPP2-07-68	40 Pin DIP IC Socket (5J, 7L)
TPP2-67-18	10 Pin Connector Receptacle (P12)
TPP2-67-19	50 Pin Flat Cable Header (P1, 2)

PARTS LIST : TPP2-VIDEO PCB Assembly

Continued

No.	DESCRIPTION (Reference Designations and Locations)
TPP2-06-00	TPP2-VIDEO Complete PCB Assembly
TPP2-06-01	2764 8K byte EPROM 450 nsec. : TPP2-V-1E (1E)
TPP2-06-02	2764 8K byte EPROM 450 nsec. : TPP2-V-1F (1F)
TPP2-06-03	2764 8K byte EPROM 450 nsec. : TPP2-V-1J (1J)
TPP2-06-04	2764 8K byte EPROM 450 nsec. : TPP2-V-1K (1K)
TPP2-06-05	2716 2K byte EPROM 450 nsec.
or TPP2-06-06	2732 4K byte EPROM 450 nsec. : TPP2-V-5N (5N)
TPP2-06-07	MB7052 256 X 4 bit Bipolar ROM : TPP2-V-7J (7J)
TPP2-06-08	PLA : TPP2-V-5U (5U)
TPP2-06-09	PLA : TPP2-V-7H (7H)
TPP2-06-10	TMM2016 2K byte RAM 120 nsec. (8P, 8S)
TPP2-06-11	2114 1K X 4 bit RAM 300 nsec. (5P, 5R, 5S)
TPP2-06-12	Special Ordered 256 X 4 bit RAM 300 nsec. (1S, 2S, 1T, 2T, 2U)
TPP2-06-13	Selected 5501 256 X 4 bit CMOS RAM 350 nsec. (1R, 2R, 1U)
TPP2-06-14	MB7063 64 X 9 bit Bipolar RAM (1M, 3M, 1P, 3P)
TPP2-06-15	TC40H004 CMOS Hex Inverter (8L)
TPP2-06-16	74S04 Schottky Hex Inverter (7D)
TPP2-67-01	74LS00 Quad 2-input NAND (3A, 4D, 4S, 5B, 6L, 7L)
TPP2-67-02	74LS04 Hex Inverter (5A, 5L, 6A, 6T)
TPP2-67-03	74LS08 Quad 2-input AND (2C, 2D)
TPP2-06-17	74LS10 Triple 3-input NAND (3D)
TPP2-06-18	74LS11 Triple 3-input AND (4A, 7C)
TPP2-67-04	74LS20 Dual 4-input NAND (7B)
TPP2-06-19	74LS32 Quad 2-input OR (1D)
TPP2-67-05	74LS74 Dual D Type Flip-Flop (4B, 5C, 6B, 8B, 8E, 8M)
TPP2-06-20	74LS86 Quad 2-input EXOR (2A, 5D, 6F, 6H, 6J, 7K, 8C)
TPP2-67-06	74LS139 Dual 2 to 4 Line Decoder (4R)
TPP2-06-21	74LS157 Quad 2 to 1 Line Data Selector (4M, 4N, 4P, 5J, 6K, 6P, 6R, 6S, 6U, 7P, 7R, 7S, 8T)
TPP2-67-07	74LS161 Synchronous 4 bit Counter (5E, 6E, 7E, 7F, 8F, 8H, 7M, 7N)
TPP2-06-22	74LS174 Hex D Type Flip-Flop (1L, 2L, 3C, 3L, 5T, 8U)
TPP2-06-23	74LS175 Quad D Type Flip-Flop (3U, 4C)
TPP2-06-24	74LS194 4 bit Shift Register (4E, 4F, 4H, 4J, 4K, 4L, 5F, 5K, 6M, 6N)
TPP2-06-25	74LS257 Quad Data Selector (7T, 7U)
TPP2-06-26	74LS273 Octal D Type Flip-Flop (8N)
TPP2-06-27	74LS283 4 bit Full Adder (3R, 3S, 3T)
TPP2-67-08	74LS367 Hex Bus Driver (4T, 4U, 6D)
TPP2-06-28	74LS368 Hex Bus Driver (6C)
TPP2-06-29	74LS377 Octal D Type Flip-Flop (3E, 3F, 3J, 3K)
TPP2-67-09	1S1595 Diode (D1)

No.	DESCRIPTION (Reference Designations and Locations)		
TPP2-06-30	33 pF	50V Ceramic-Disc Capacitor	(C8)
TPP2-06-31	180 pF	50V Ceramic-Disc Cap.	(C1)
TPP2-67-10	330 pF	50V Ceramic-Disc Cap.	(C2, 3, 4, 6, 7, 10, 41)
TPP2-67-11	1000 pF	50V Ceramic-Disc Cap.	(C5)
TPP2-67-12	.01 uF	50V Ceramic-Disc Cap.	(C50~139)
TPP2-67-13	220 uF	16V Al. Electrolytic Axial Cap.	(C9)
All discrete R are Carbon Resistors			
TPP2-67-14	330	Ohm 1/4W $\pm 5\%$ Resistor	(R1, 2)
TPP2-67-15	1K	Ohm 1/4W $\pm 5\%$ Resistor	(R90~101)
TPP2-06-32	1K	Ohm $\times 9$ Parallel Resistor Array	(RM1, 2)
TPP2-06-33	20.160 MHz	Crystal	(X1)
TPP2-67-16	16 Pin	DIP IC Socket	(7J)
TPP2-06-34	24 Pin	DIP IC Socket	(5N)
TPP2-06-35	22 Pin	DIP IC Socket	(1R, 2R, 1U)
TPP2-67-17	28 Pin	DIP IC Socket	(1E, 1F, 1J, 1K, 1M, 1P, 3M, 3P)
TPP2-67-18	10 Pin	Connector Receptacle	(P4)
TPP2-67-19	50 Pin	Flat Cable Header	(P1, 2)

PARTS LIST : PP-900A Power Supply Assembly

Continued

No.	DESCRIPTION (Reference Designations)		
TPP-08-00	PP-900A Complete Power Supply Assembly		
TPP-08-01	3D-0086 Complete Power Supply PCB Assembly		
TPP-08-02	3D-1001	Custom Hybrid IC	(IC1)
TPP-08-03	2SA817	Silicon PNP Switching Transistor	(TR2)
TPP-08-04	2SA1015	Silicon PNP Transistor	(TR3)
TPP-08-05	2SC2535	Silicon NPN Transistor	(TR1)
TPP-08-06	SF0R1B41 or 03P05M	SCR	(SCR1)
TPP-08-07	S4VB40 or 4G4B41	Diode Bridge	(BR1)
TPP-08-08	1B4B41	Diode Bridge	(BR2)
TPP-08-09	CTB-33S or S10	Schottky Barrier Diode	(D6)
TPP-08-10	1S1835	Fast-Recovery Diode	(D1, 2, 3, 4)
TPP-08-11	1S953 or 1S1588	Diode	(D5, 8)
TPP-08-12	1S954	Diode	(D7)
TPP-08-13	05Z	5.6V Zener Diode	(ZD2)
TPP-08-14	470 pF	2KV Ceramic-Disc Capacitor	(C1, 2, 17)
TPP-08-15	10 uF	16V Al. Electrolytic Radial Cap.	(C6, 9, 12)
TPP-08-16	100 uF	35V Al. Electrolytic Radial Cap.	(C8)
TPP-08-17	220 uF	25V Al. Electrolytic Radial Cap.	(C16)
TPP-08-18	330 uF	200V Al. Electrolytic Switching Radial Cap.	(C4)
TPP-08-19	470 uF	25V Al. Electrolytic Radial Cap.	(C5)
TPP-08-20	2200 uF	10V Al. Electrolytic Radial Cap.	(C10, 11, 15)
TPP-08-21	1000 pF	50V Film Cap.	(C7)
TPP-08-22	.047 uF	630V Film Cap.	(C3, 13, 14)

No.	DESCRIPTION (Reference Designations)	
TPP-08-23	22 Ohm 1/4W Carbon Resistor	(R2)
TPP-08-24	51 Ohm 1/4W Carbon Resistor	(R4, 10, 12)
TPP-08-25	470 Ohm 1/4W Carbon Resistor	(R5)
TPP-08-26	1K Ohm 1/4W Carbon Resistor	(R14, 15)
TPP-08-27	20K Ohm 1/4W Carbon Resistor	(R13)
TPP-08-28	12 Ohm 1/2W Carbon Resistor	(R3, 9)
TPP-08-29	100 Ohm 1/2W Carbon Resistor	(R16)
TPP-08-30	1K Ohm 1/2W Carbon Resistor	(R6)
TPP-08-31	2 Ohm 5W Cement Resistor	(R1)
TPP-08-32	20 Ohm 5W Cement Resistor	(R11)
TPP-08-33	1 Ohm 1W $\pm 5\%$ Metal Oxide Film Resistor	(R7)
TPP-08-34	1K Ohm 3W $\pm 5\%$ Metal Oxide Film Resistor	(R8)
TPP-08-35	.01 Ohm Shunt Resistor	(SH1)
TPP-08-36	2K Ohm 1/4W Vertical Cermet Trimpot	(VR1)
TPP-08-37	50K Ohm 1/4W Vertical Cermet Trimpot	(VR2)
TPP-08-38	EI-30 Type SD-0086T Switching Transformer	(T1)
TPP-08-39	28 Type 3D-1000 Transformer	(T2)
TPP-08-40	EE-16 Type 3D-1000 Oscillator Transformer	(T3)
TPP-08-41	SC02-100 SC Coil	(L1)
TPP-08-42	EI-30 Type SD-0086L 25 mH 0.5A Choke Coil	(L2)
TPP-08-43	SFT12-50 100 uH 5A SF Coil	(L3)
TPP-08-44	9 Pin DC Output Connector Receptacle	(9P)
TPP-08-45	10 Pin DC Output Connector Receptacle	(10P)
TPP-08-46	3A SB FGMB NR Type Fuse	
TPP-08-47	F-6 Fuse Holder	
TPP-08-48	3D-0086 Type Heat Sink	
TPP-08-49	Heat Sink Clip	(2 per assembly)
TPP-08-50	Thermally Conductive Rubber	(2 per assembly)
TPP-08-51	Nylon PCB Retainer	(2 per assembly)
TPP-08-52	3D-0086 Type Metal Frame	
TPP-08-53	3D-0086 Type Metal Cover	
TPP-08-54	3 Pin AC Input Connector Receptacle on Metal Frame	

NOTES

