




THE MAIN EVENT

INSTRUCTION MANUAL

MAIN EVENT™ is a registered trademark of Konami Inc. © 1988 Konami Inc.

 KONAMI® is a trademark of Konami Industry Co., Ltd.

MAIN EVENT: WIRING HARNESS

WIRE COLOR KEY:		Solder Side ←		→ Parts Side	
BLACK	GND	A	1	GND	BLACK
BLACK	GND	B	2	GND	BLACK
RED	+ 5V DC	C	3	+ 5V DC	RED
RED	+ 5V DC	D	4	+ 5V DC	RED
	NOT USED	E	5	NOT USED	
ORANGE	+ 12V DC	F	6	+ 12V DC	ORANGE
	*KEY	H	7	*KEY	
	(EMPTY)	J	8	COIN COUNTER	GREEN/GRAY
	(EMPTY)	K	9	(EMPTY)	
YELLOW	SPEAKER (-)	L	10	SPEAKER (+)	BLUE
	(EMPTY)	M	11	(EMPTY)	
WHITE/GREEN	VIDEO GREEN	N	12	VIDEO RED	RED/WHITE
WHITE	VIDEO SYNC	P	13	VIDEO BLUE	BLUE/WHITE
	(EMPTY)	R	14	VIDEO GROUND	BLACK
	(EMPTY)	S	15	(EMPTY)	
VIOLET/WHITE	COIN 2	T	16	COIN 1	BLUE/BROWN
RED/GREEN	2P START	U	17	1P START	PINK/YELLOW
BLUE/YELLOW	2P UP	V	18	1P UP	ORANGE/WHITE
VIOLET/YELLOW	2P DOWN	W	19	1P DOWN	BLACK/WHITE
ORANGE/GREEN	2P LEFT	X	20	1P LEFT	RED/GRAY
ORANGE/YELLOW	2P RIGHT	Y	21	1P RIGHT	GRAY/WHITE
BLACK/YELLOW	2P TAG	Z	22	1P TAG	RED/WHITE
ORANGE/GRAY	2P ACTION	a	23	1P ACTION	GREEN/BROWN
	NOT USED	b	24	NOT USED	
	NOT USED	c	25	NOT USED	
	NOT USED	d	26	NOT USED	
BLACK	GND	e	27	GND	BLACK
BLACK	GND	f	28	GND	BLACK

(BASE COLOR/LINE COLOR)

MAIN EVENT: SUB HARNESS

CN3 3P CONTROLS	1	Coin 3	White/Violet
	2	Empty	
	3	3P Left	White/Red
	4	3P Right	White/Yellow
	5	3P Up	White/Black
	6	3P Down	White/Blue
	7	3P Tag	White/Brown
	8	3P Action	White/Orange
	9	Empty	
	10	Empty	
	11	Empty	
	12	Empty	
	13	Empty	
	14	Empty	
	15	Ground	Black

CN4 4P CONTROLS	1	Coin 4	Blue
	2	Empty	
	3	4P Left	Yellow/Black
	4	4P Right	Brown/Black
	5	4P Up	Green/Yellow
	6	4P Down	Yellow/Red
	7	4P Tag	Yellow/White
	8	4P Action	Yellow/Blue
	9	Empty	
	10	Empty	
	11	Empty	
	12	Empty	
	13	Empty	
	14	Empty	
	15	Ground	Black

CN2 ACTION LAMP OUTPUTS	1	Lamp 1	Violet
	2	Lamp 2	Blue
	3	Lamp 3	Green
	4	Lamp 4	Yellow
	5	Empty	
	6	+ 12 Volts	Black

DIP SWITCH SETTINGS

DIP SWITCH NO. 1 SETTINGS

1. COIN 1

SW	1	2	3	4	COIN	CREDIT
•	OFF	OFF	OFF	OFF	1	1
	ON				1	2
	OFF	ON			1	3
	ON				1	4
	OFF	OFF	ON	OFF	1	5
	ON				1	6
	OFF	ON			1	7
	ON				2	1
	OFF	OFF	OFF	ON	2	3
	ON				2	5
	OFF	ON			3	1
	ON				3	2
	OFF	OFF	ON	ON	3	4
	ON				4	1
	OFF	ON			4	3
	ON				4	5

SW5 through SW8 are not used.

DIP SWITCH NO. 2 SETTINGS

1. BONUS ENERGY

SW	1	2	ENERGY
•	OFF	OFF	90
	ON		80
	OFF	ON	70
	ON		60

2. DIFFICULTY OF THE GAME

SW	6	7	DIFFICULTY
•	OFF	OFF	EASY
	ON		NORMAL
	OFF	ON	DIFFICULT
	ON		VERY DIFFICULT

3. SOUND IN ATTRACTIVE MODE

SW	8	SOUND
•	OFF	OFF
	ON	ON

SW 1, SW2 and SW3 are not used.

DIP SWITCH NO.3 SETTINGS

1. VIDEO SCREEN FLIP

SW	1	
•	OFF	NORMAL
	ON	UPSIDE DOWN

2. CHANGE OF MODE

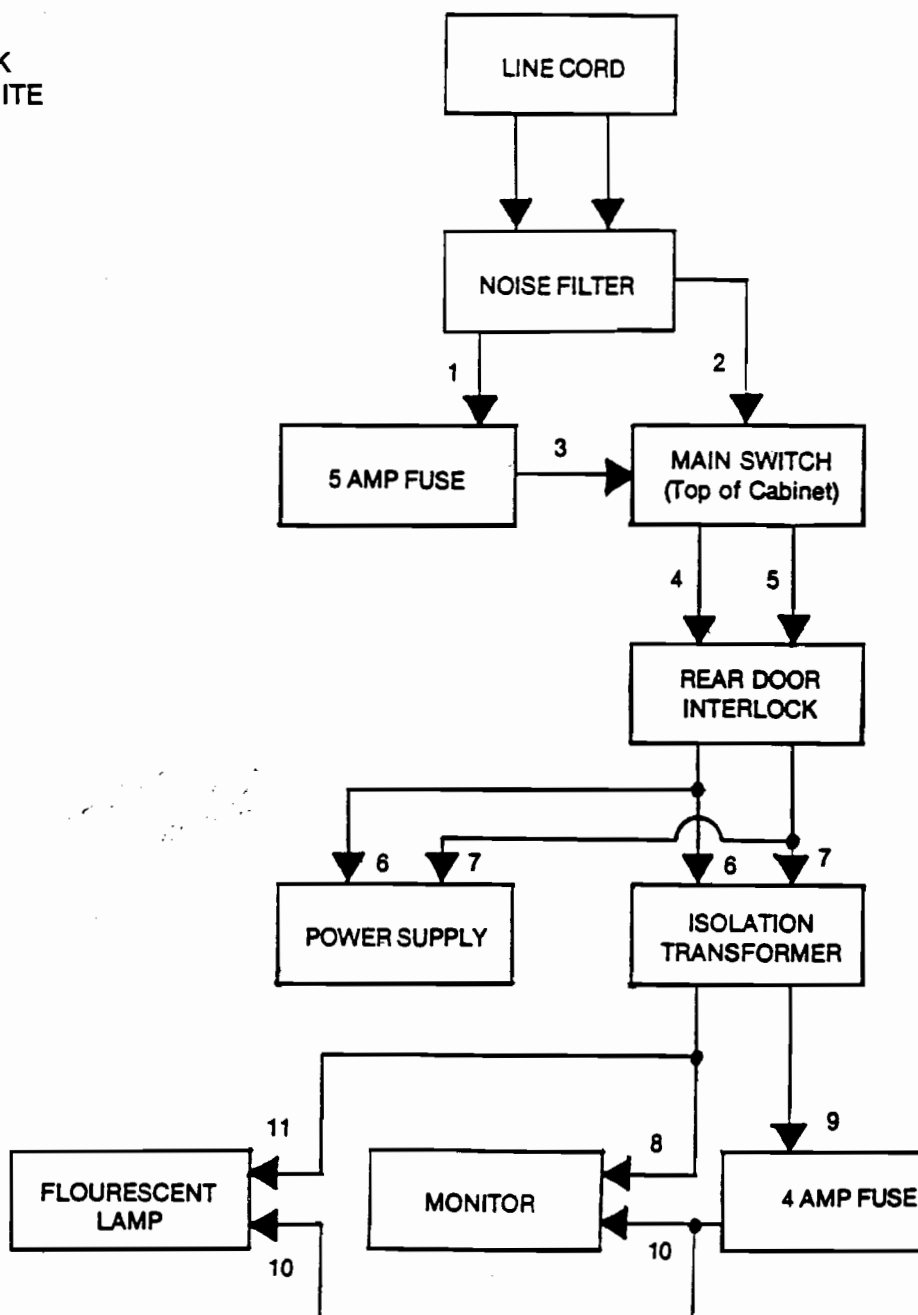
SW	3	MODE
•	OFF	GAME
	ON	TEST

SW2 and SW4 are not used.

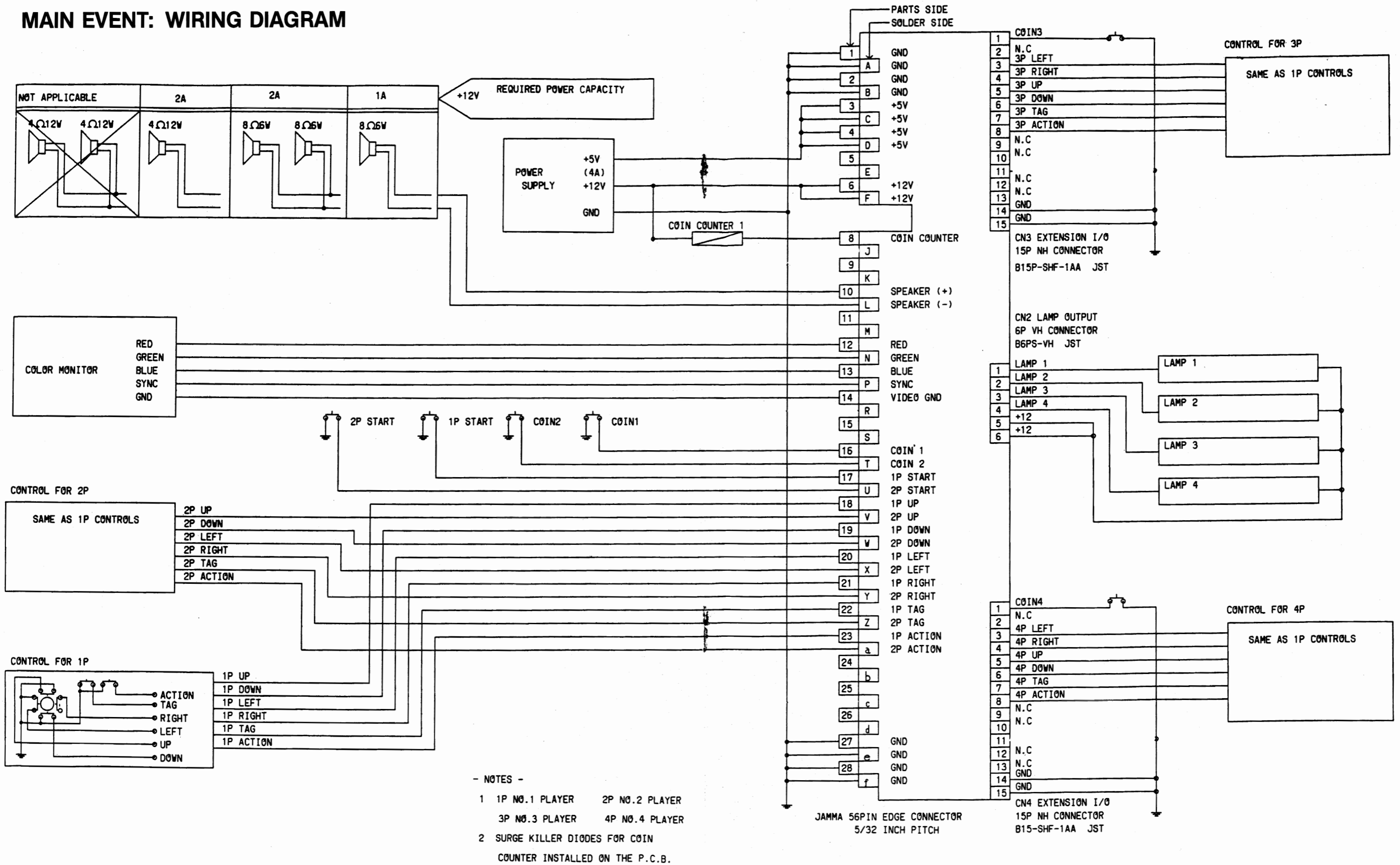
- Shows recommended settings

MAIN EVENT: AC FLOW CHART

- 1. GREEN/YELLOW
- 2. BLACK
- 3. RED
- 4. BLUE
- 5. BROWN
- 6. RED/BLACK
- 7. BLACK/WHITE
- 8. WHITE
- 9. GREEN
- 10. VIOLET
- 11. ORANGE



MAIN EVENT: WIRING DIAGRAM

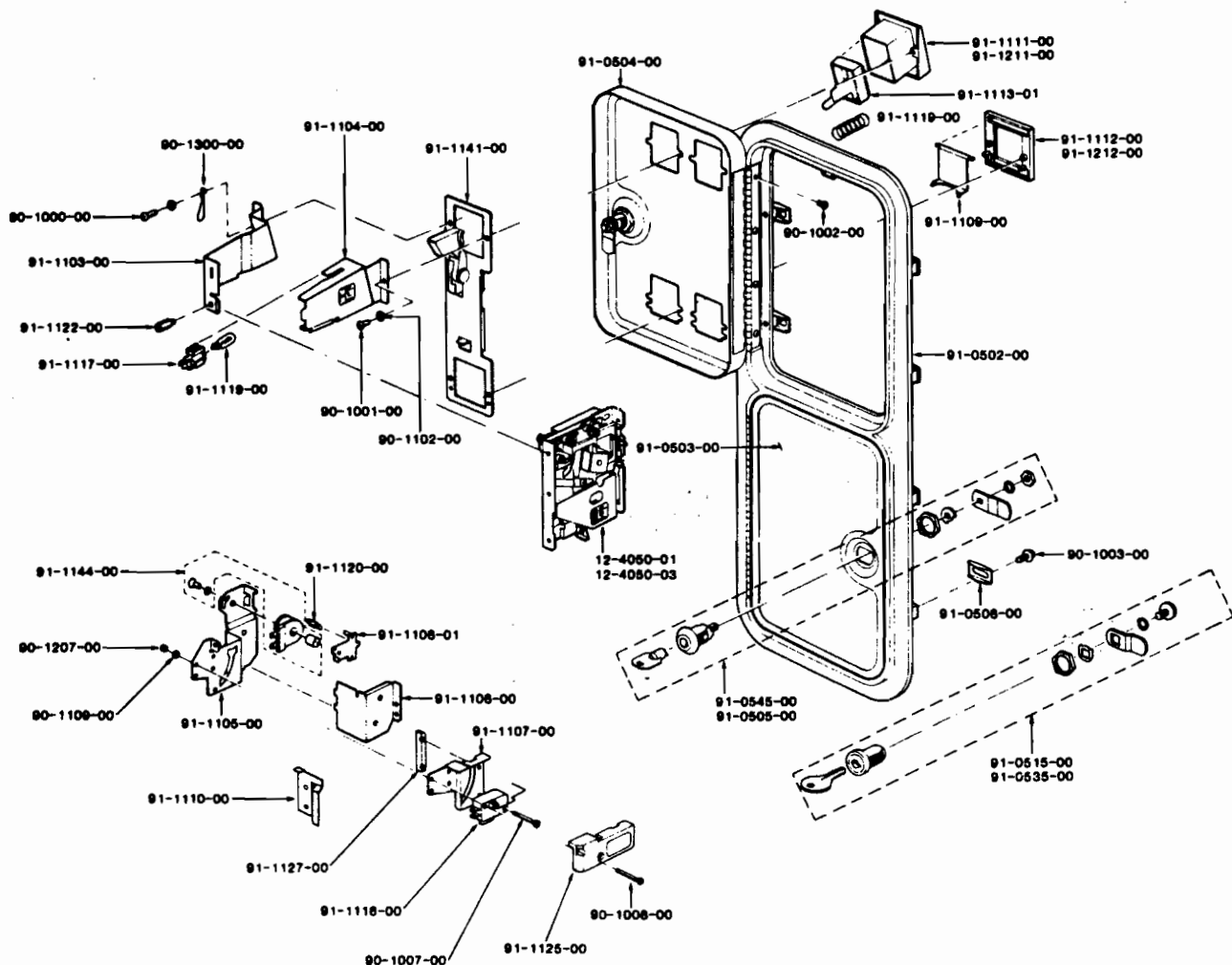


- NOTES -

1 1P NO.1 PLAYER 2P NO.2 PLAYER
 3P NO.3 PLAYER 4P NO.4 PLAYER

2 SURGE KILLER DIODES FOR COIN COUNTER INSTALLED ON THE P.C.B.

COMPLETE COIN DOOR ASSEMBLY EXPLODED VIEW

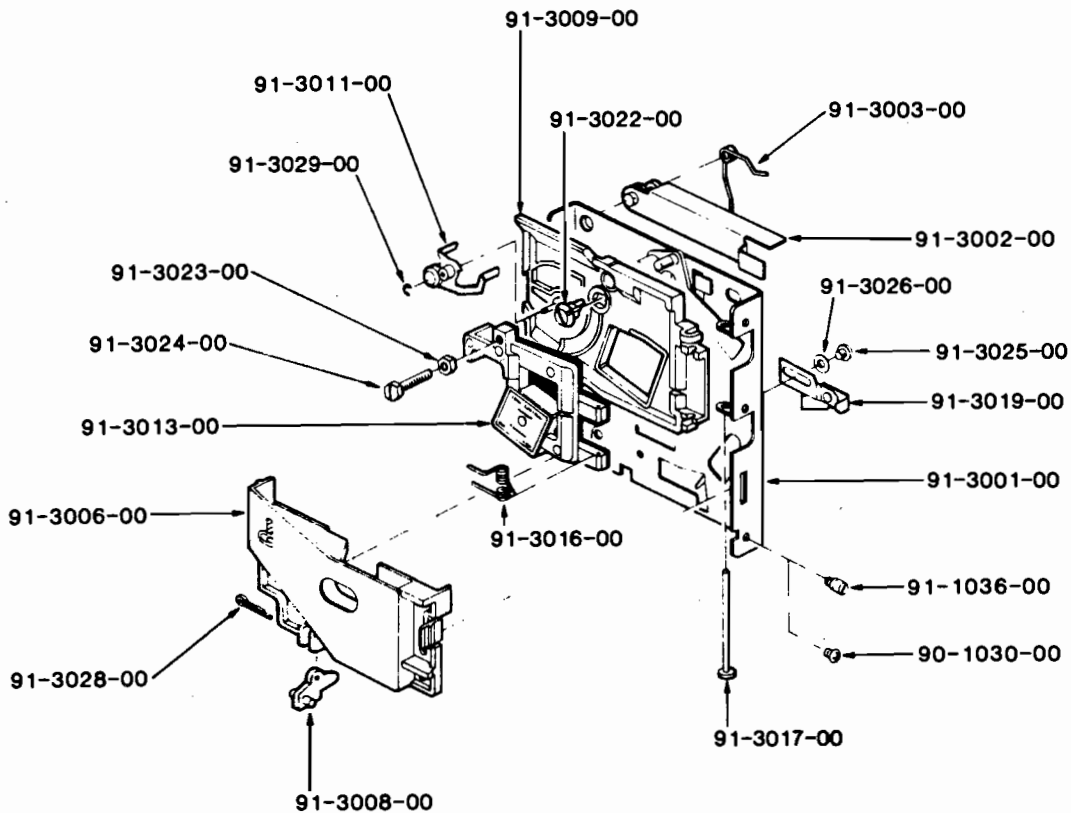


PARTS LIST

12-4050-01	S-10 Acceptor Body U.S. 25*	90-1102-00	Washer for Bezel Screw	91-1103-00	Coin Inlet Lamp Side	91-1119-00	Button Spring
12-4050-03	S-10 Acceptor Body Canadian 25*	90-1207-00	Nut for Microswitch Mounting Screw	91-1104-00	Coin Inlet Cover Side	91-1120-00	Lockout Spring
20-4177-00	Plastic Cash Box	90-1300-00	Keyhook	91-1105-00	Reject Cup Side Plate	91-1122-00	Retaining Screw for Acceptor Body
20-4179-00	Steel Enclosure	91-0502-00	Zinc Die Cast Frame	91-1106-00	Reject Cup Base Plate	91-1125-00	Clear Plastic Cover for Microswitch
22-1400-00	Locking Bar	91-0503-00	Lower Door	91-1107-00	Microswitch Bracket	91-1127-00	Plastic Switch Adjuster
24-1150-00	Wire Harness	91-0504-00	Upper Door	91-1108-01	Lockout Flap U.S. 25*	91-1141-00	Base Plate With Pivot and Stud
90-1000-00	Keyhook Bezel Screw	91-0505-00	Round Lock and Cam Assembly	91-1109-00	Reject Flap	91-1144-00	6 Volt DC Lockout Coil Assembly
90-1001-00	Bezel Screw	91-0506-00	Clamp	91-1110-00	Metal Switch Adjuster	91-1211-00	Zinc Plated Button Bezel
90-1002-00	Hinge Screw	91-0515-00	Flat Lock and Cam Assembly	91-1111-00	Black Button Bezel	91-1212-00	Zinc Plated Reject Bezel
90-1003-00	Clamp Screw	91-0535-00	Flat Lock and Cam Assembly	91-1112-00	Black Reject Bezel		
90-1007-00	Flat Head Microswitch Mounting Screw	91-0545-00	Round Lock and Cam Assembly	91-1113-01	Entry/Reject Button U.S. 25*		
90-1008-00	Panhead Microswitch Mounting Screw	91-0545-00	Round Lock and Cam Assembly	91-1113-01	Entry/Reject Button U.S. 25*		
				91-1116-00	Microswitch (Black End Arm)		
				91-1117-00	Lampholder		
				91-1118-00	6 V Wedge Base Lamp		

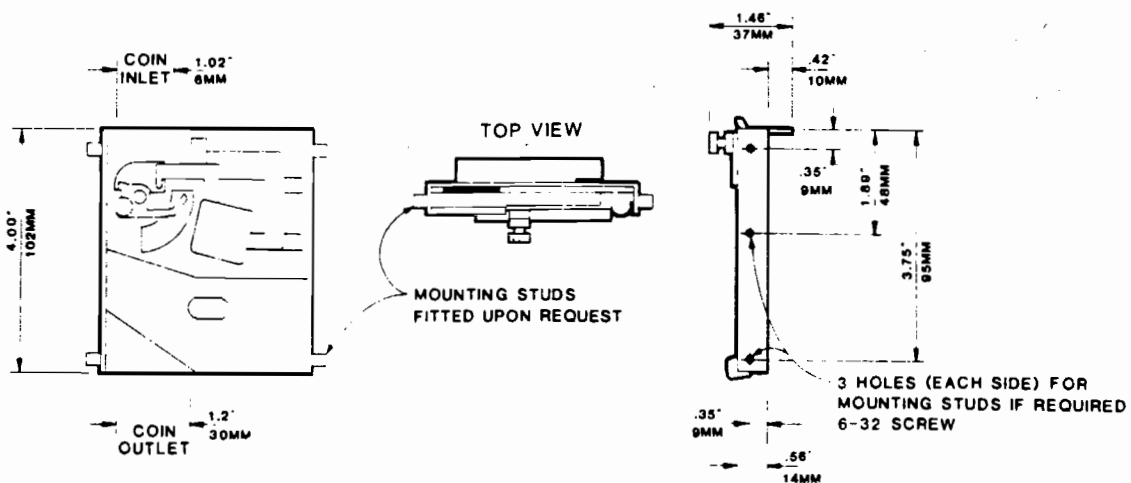
Gold Mech

Engineering Data and Parts List



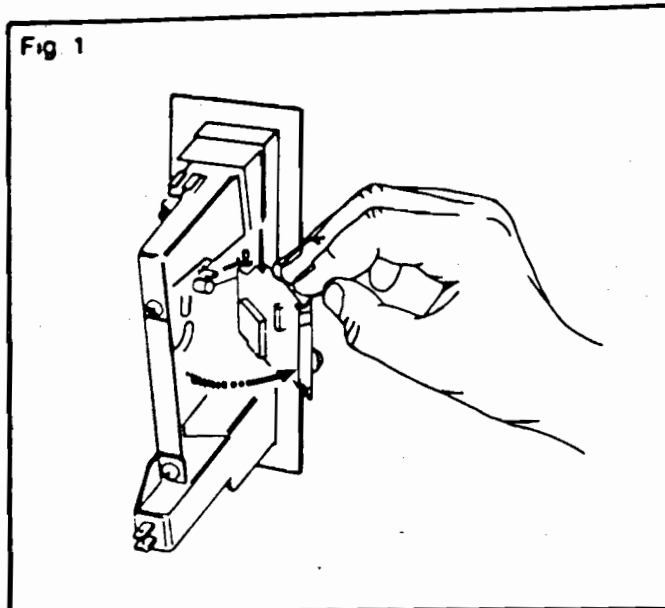
PARTS LIST

90-1030-00 Retaining Screw (#6-32"x.250")	91-3009-00 Gate	91-3023-00 Locknut-Magnet Holder
91-1036-00 Mounting Stud	91-3011-00 Cradle	91-3024-00 Screw-Magnet Holder
91-3001-00 Back Plate	91-3013-00 Magnet Holder with Magnet	91-3025-00 Screw Separator
91-3002-00 Reject Lever	91-3016-00 Gate Spring	91-3026-00 Washer
91-3003-00 Reject Lever Spring	91-3017-00 Gate Pin	91-3028-00 Cotter Pin for Anti-stringing Device
91-3006-00 Cover Plate	91-3019-00 Separator	91-3029-00 E-Clip for Cradle
91-3008-00 Anti-Stringing Device	91-3022-00 Diameter Adjustment	



Gold Mech: Service Information

CLEANING and CARE of the MECHANISM



The magnet that is fitted to the mechanism, should be kept clean from foreign particles. The magnet can be cleaned by swinging the gate open. (as shown in Fig. 1.) Remove metal filings from the magnet by guiding the point of a screwdriver along the edges of the magnet, such that the filings cling to the screwdriver.

The mechanism can be cleaned by immersing in water using a small brush to clean the mechanism. Rinse the mechanism with boiling water and dry with compressed air.

Note:

Since the Gold Mech relies on coins passing the magnet at a constant speed, the rejector must be free of dirt and grease which may slow down the coins. Do not lubricate the acceptor with oil as this slows down coins.

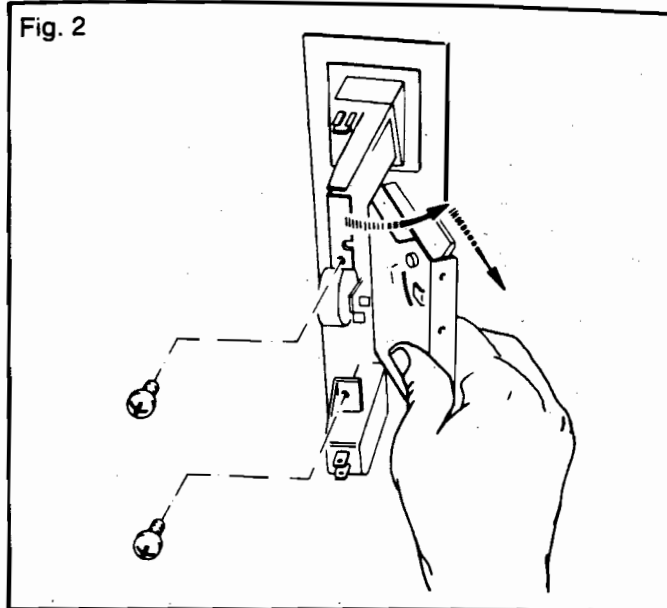
If the above procedures are not successful, check for worn, bent or damaged parts and replace where necessary.

Coin Switch

The coin switch comes in two different spring tensions—identified by the color of the plastic boss at the wire's pivot point.

Red: Light tension—U.S. 25¢

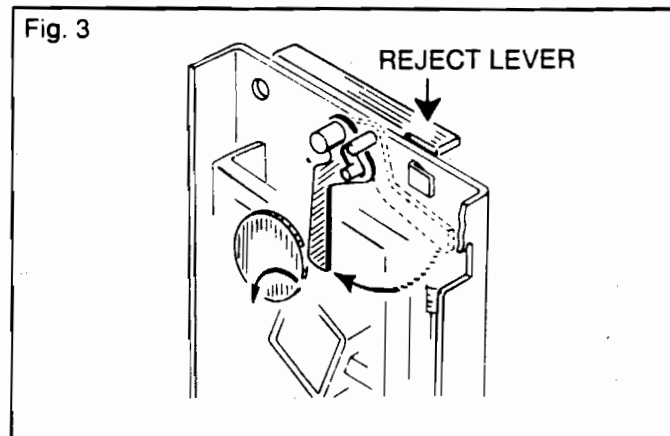
White: Heavy tension—heavy foreign coins



Removal of Mechanism

To remove the coin selector: Unscrew the two screws (as SHOWN IN Fig. 2)—swing rear of selector body away from the lock-out side and withdraw.

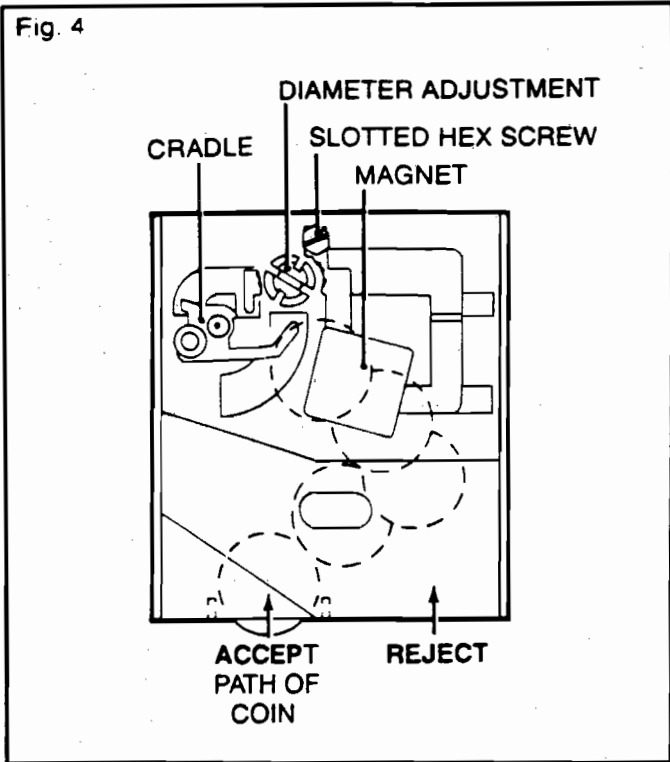
The Gold Mech Acceptors are designed to require a minimum of maintenance and field adjustment. Coins are checked by diameter and thickness, weight, metal content, bounce, and for ferromagnetic coins such as nickel and steel, a rim test is also used.



The Magnet

Coins that are too thick will fail to pass between the magnet and the backplate of the mechanism; and will be cleared by the magnet wiper when the reject lever is actuated. (Fig. 3)

Fig. 4



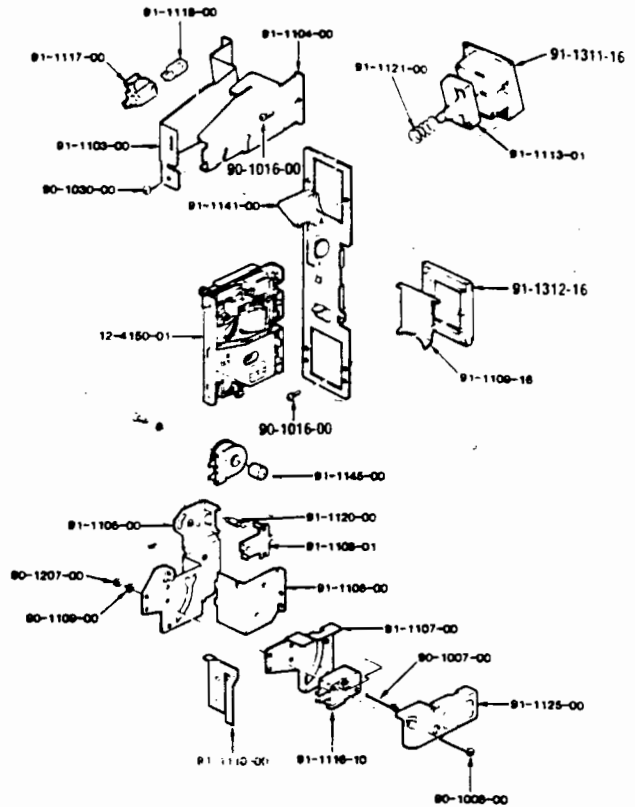
The first check on the coin is at the entry slot which prevents the entry of grossly oversize and bent coins. The next test is at the cradle. When the correct coin falls into the cradle, the cradle tips and the coin is delivered to the magnet check. Under-diameter coins fall between the legs of the cradle and are returned to reject. Under-weight coins fail to tipple the cradle and can be returned to reject by pressing the reject lever.

Adjustment

The Gold Mech Acceptors are factory adjusted for optimum performance. If more critical adjustments are desired, or if the unit has been disassembled, the following adjustment procedure is suggested. (Fig. 4)

1. Ensure that the mechanism is in an upright and level position.
2. Loosen the hex locking screw on the magnet holder and unscrew the slotted hex screw.
3. Place a true U.S. 25¢ coin in the mechanism. Turn the diameter adjustment (Fig. 4) clockwise until the coin falls into the cradle. The cradle should tipple and the coin come to rest on the side of the magnet. Turn the slotted hex screw clockwise until the coin just clears the magnet. Give this screw a further 1/2 turn clockwise for optimum clearance and tighten the locknut.

Base Plate Assembly for Coin Doors and Front Plates



Part Number	Description
12-4150-01	Gold Mech Acceptor
90-1000-00	Keyhook Bezel Screw
90-1007-00	Flat Head Microswitch Mounting Screw
90-1008-00	Pan Head Microswitch Mounting Screw
90-1016-00	CPJS/Bezel Screw
90-1030-00	Mounting Screw for Gold Mech
90-1032-00	Bezel/Hinge Screw PZ
90-1109-00	Lock Washer for Microswitch Assembly
90-1207-00	Nut for Microswitch Mounting Screw
91-1103-00	Coin Inlet Lamp Side
91-1104-00	Coin Inlet Cover Side
91-1105-00	Reject Cup Side Plate
91-1106-00	Reject Cup Base Plate
91-1107-00	Microswitch Bracket
91-1108-00	Lockout Flap U.S. 25¢
91-1109-16	Reject Flap
91-1110-00	Metal Switch Adjuster
91-1113-01	Entry/Reject Button U.S. 25¢
91-1116-10	Microswitch (Red End Arm)
91-1117-00	Lampholder
91-1118-00	GV Wedge Base Lamp
91-1120-00	Lockout Spring
91-1121-00	Button Spring
91-1125-00	Clear Plastic Cover for Microswitch
91-1141-00	Base Plate w/Pivot Coil
91-1145-00	12V DC Lockout Coil
91-1311-16	Black Nylon Button Bezel
91-1312-16	Black Nylon Reject Bezel

USER INFORMATION
WARNING
F.C.C. REGULATION COMPLIANCE

THIS EQUIPMENT COMPLIES WITH THE REQUIREMENTS IN PART 15 OF FCC RULES FOR A CLASS A COMPUTING DEVICE. OPERATION OF THIS EQUIPMENT IN A RESIDENTIAL AREA MAY CAUSE UNACCEPTABLE INTERFERENCE TO RADIO AND TV RECEPTION REQUIRING THE OPERATOR TO TAKE WHATEVER STEPS ARE NECESSARY TO CORRECT THE INTERFERENCE.



815 Mittel Drive, Wood Dale, Illinois 60191
Telephone: (312) 595-1443, Telex: 6871385 KONAM UW, Fax: (312) 595-2973