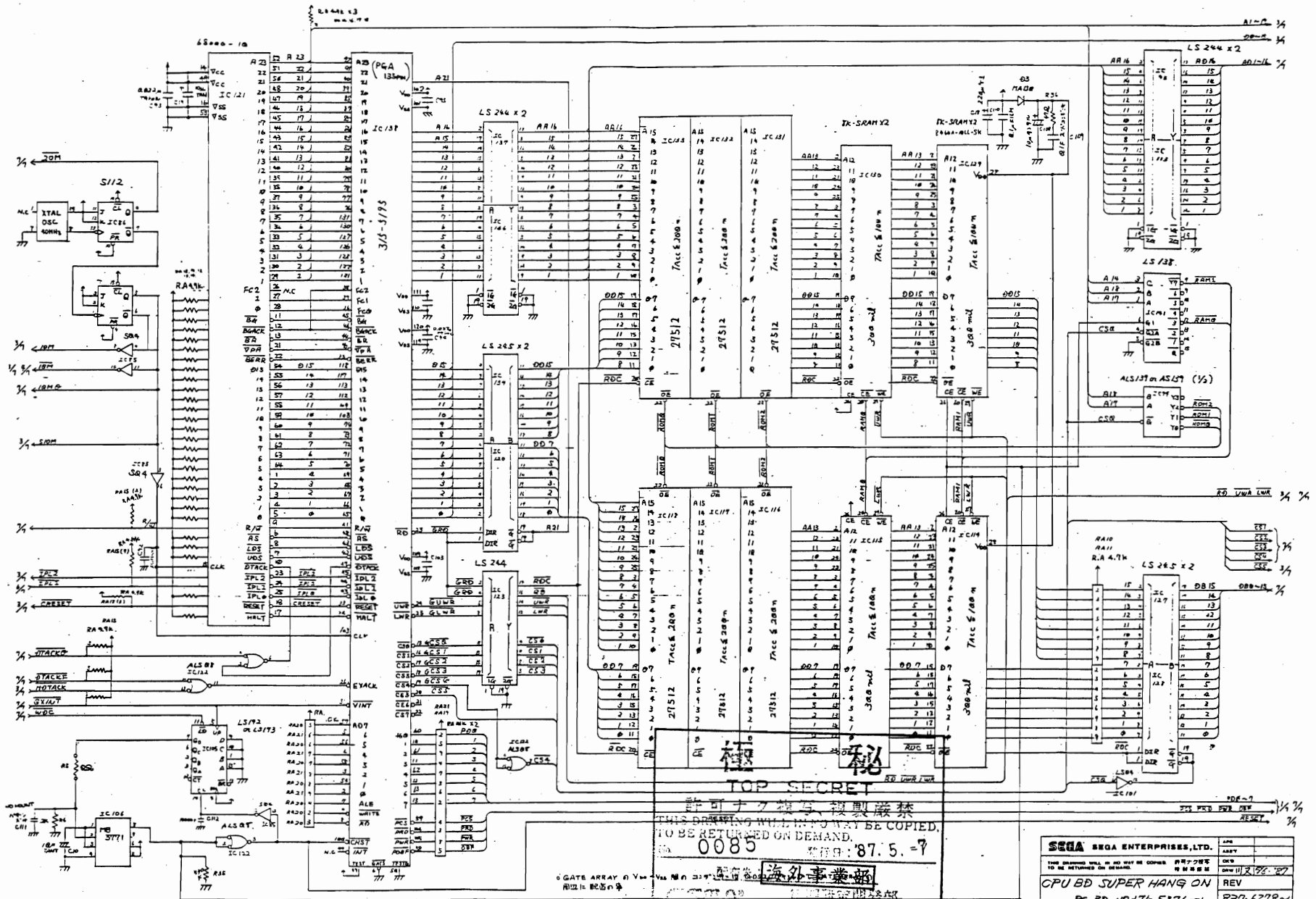


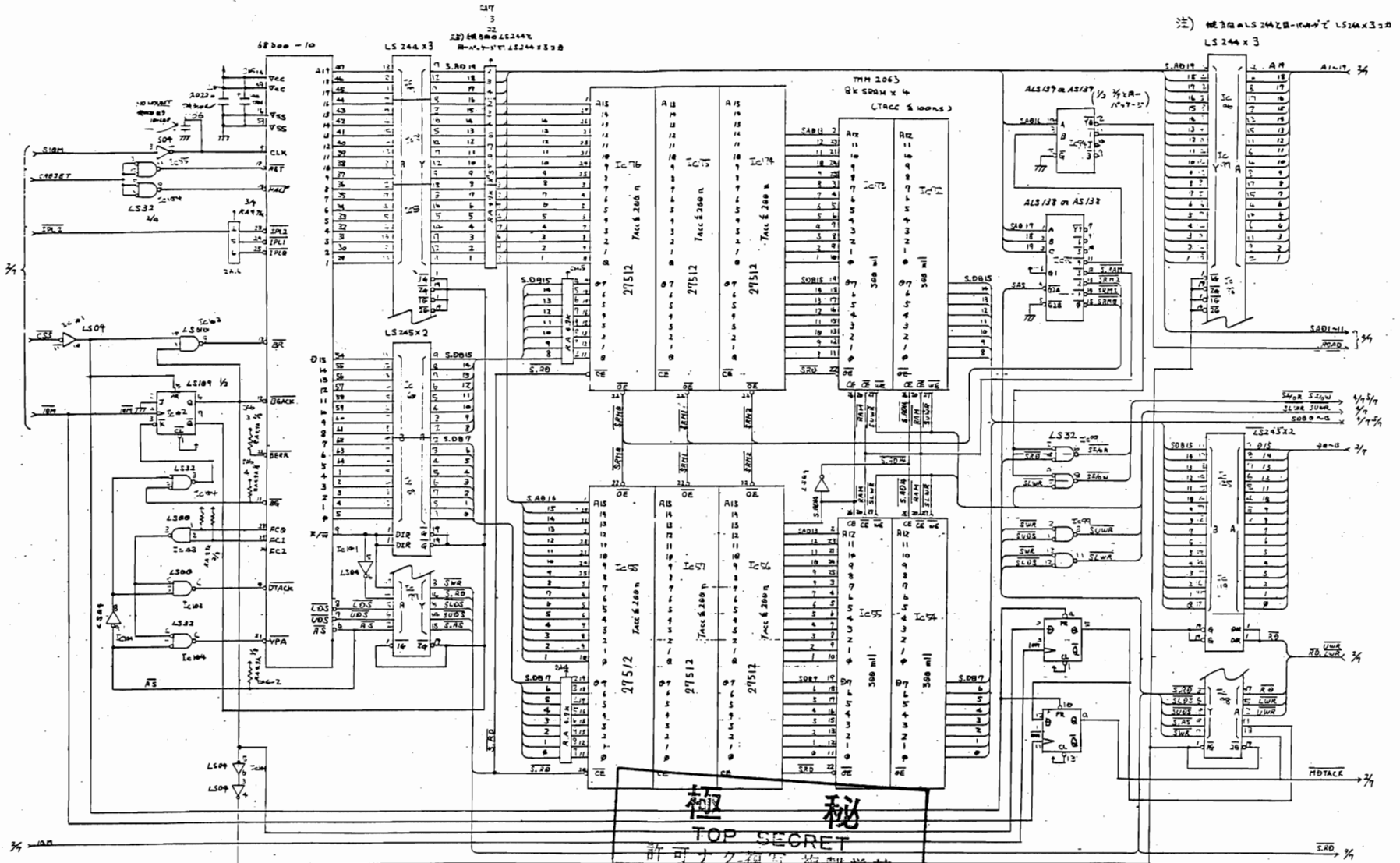
**極 秘**  
**TOP SECRET**  
 許可なく複写、複製厳禁  
 DRAWING WILL IN NO WAY BE COPIED,  
 RETURNED ON DEMAND.  
 0085 87.5-7  
 外務省 国際情報センター

<b>SEGA SEGA ENTERPRISES, LTD.</b>	
THIS DRAWING WILL IN NO WAY BE COPIED, RETURNED ON DEMAND.	此図は複製を 厳禁し、返却する。
CPU BD SUPER HANG ON	REV 11/2/87
PC BD NO 171-5376-01	837-6278 ~
DESCRIPTION	PART NO.
DRAWN	NO.
CHECKED	DATE
APPROVED	BY
DATE	BY
SHEET	OF 7



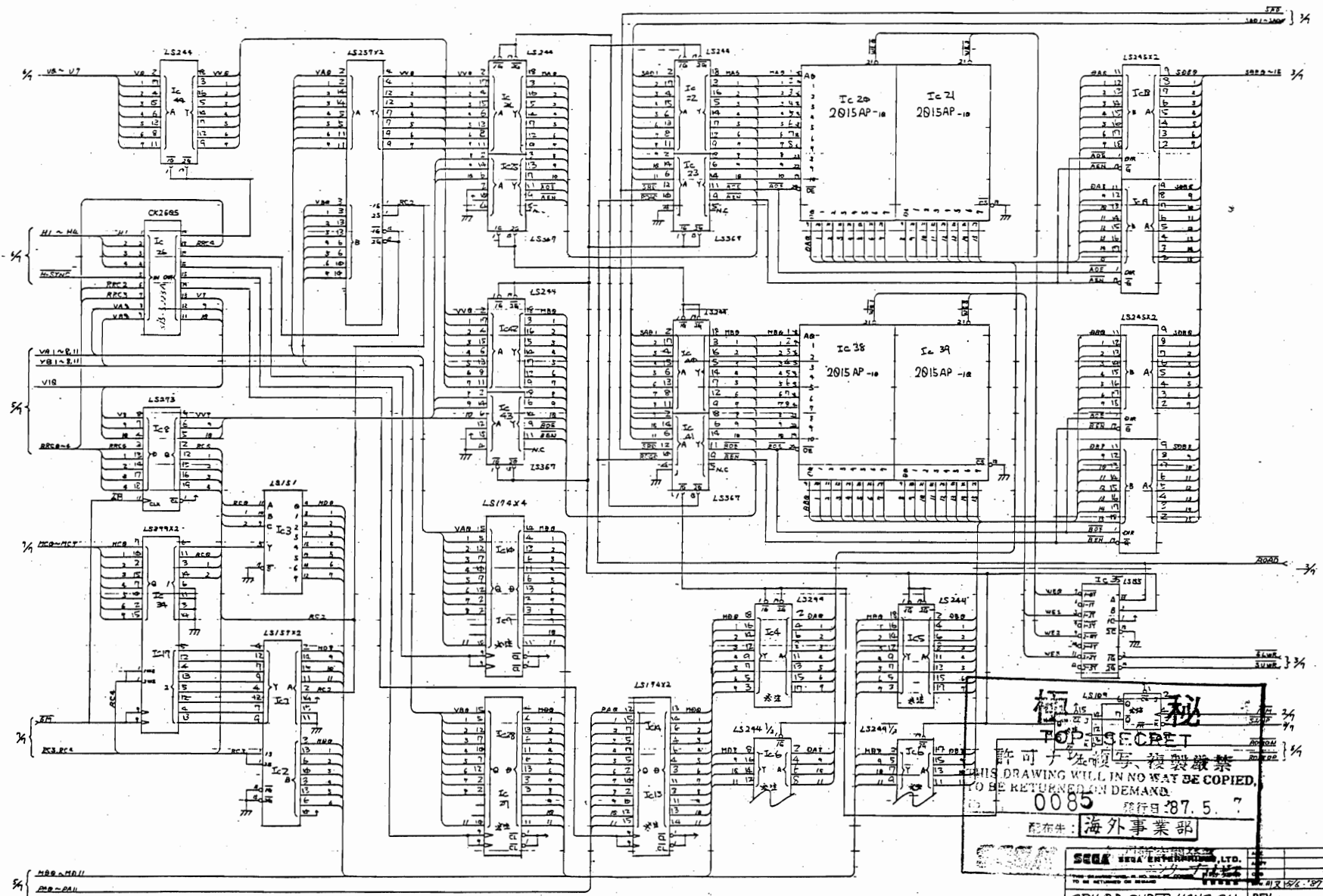
TOP SECRET  
 許可ナク複製厳禁  
 THIS DRAWING WILL IN NO WAY BE COPIED,  
 TO BE RETURNED ON DEMAND.  
 0085  
 海外事業部  
 開発部  
 システムライズ

SEGA SEGA ENTERPRISES, LTD.		DATE	
THIS DRAWING WILL IN NO WAY BE COPIED, TO BE RETURNED ON DEMAND.		CHKD	
CPU BD SUPER HANG ON		DRW NO	0085
PC BD NO 171-5376-01		REV	B37-6278~
DESCRIPTION		SHEET	2 of 7



**極 秘**  
**TOP SECRET**  
 許可なく複製、複製厳禁  
 THIS DRAWING WILL IN NO WAY BE COPIED,  
 TO BE RETURNED ON DEMAND.  
 No. 0085  
 発行日: 87.5.7  
 海外事業部  
 開発部  
 開発部

SEGA SEGA ENTERPRISES, LTD.		APP	
THIS DRAWING WILL IN NO WAY BE COPIED, TO BE RETURNED ON DEMAND.		ASST	
CPU BD SUPER HANG ON		CHK	
Pc Bd No. 171-5376-01		REV	REV 1112.98.97
DESCRIPTION		PART NO.	837-6273 ~
		SHEET	3 OF 7



**秘**

TOP SECRET

許可なく複製、複製禁止

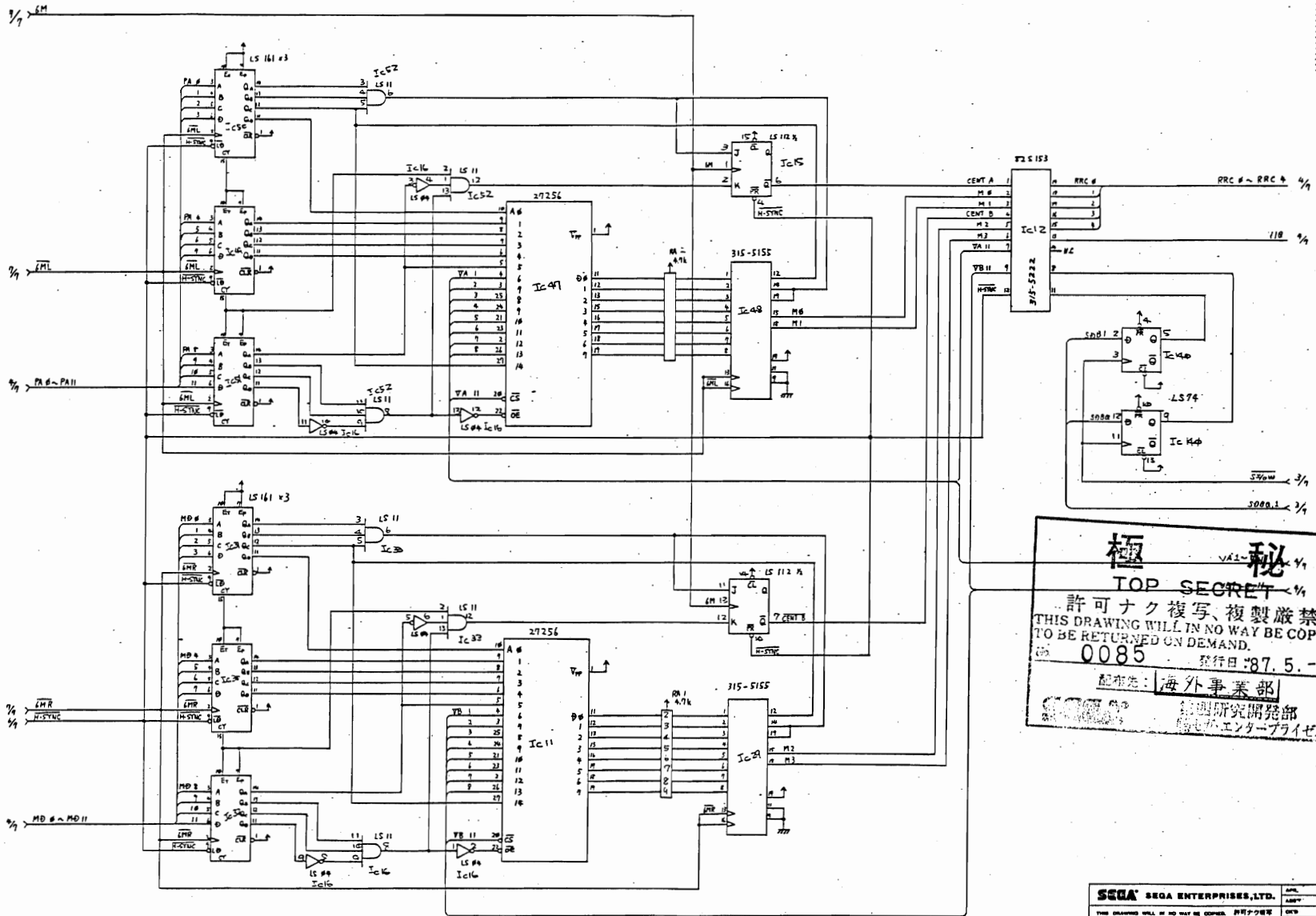
THIS DRAWING WILL IN NO WAY BE COPIED,  
TO BE RETURNED ON DEMAND.

0085 發行日: 87.5.7

配布先: 海外事業部

SEGA SEGA ENTERTAINMENT, LTD.	
CPU BB SUPER HANG ON	
REV	837-6278-
PC BD NO 171-5376-01	DESCRIPTION
DATE	REV
REV	DATE

※注 入出力ポートの位置は図117



**極 秘**

TOP SECRET

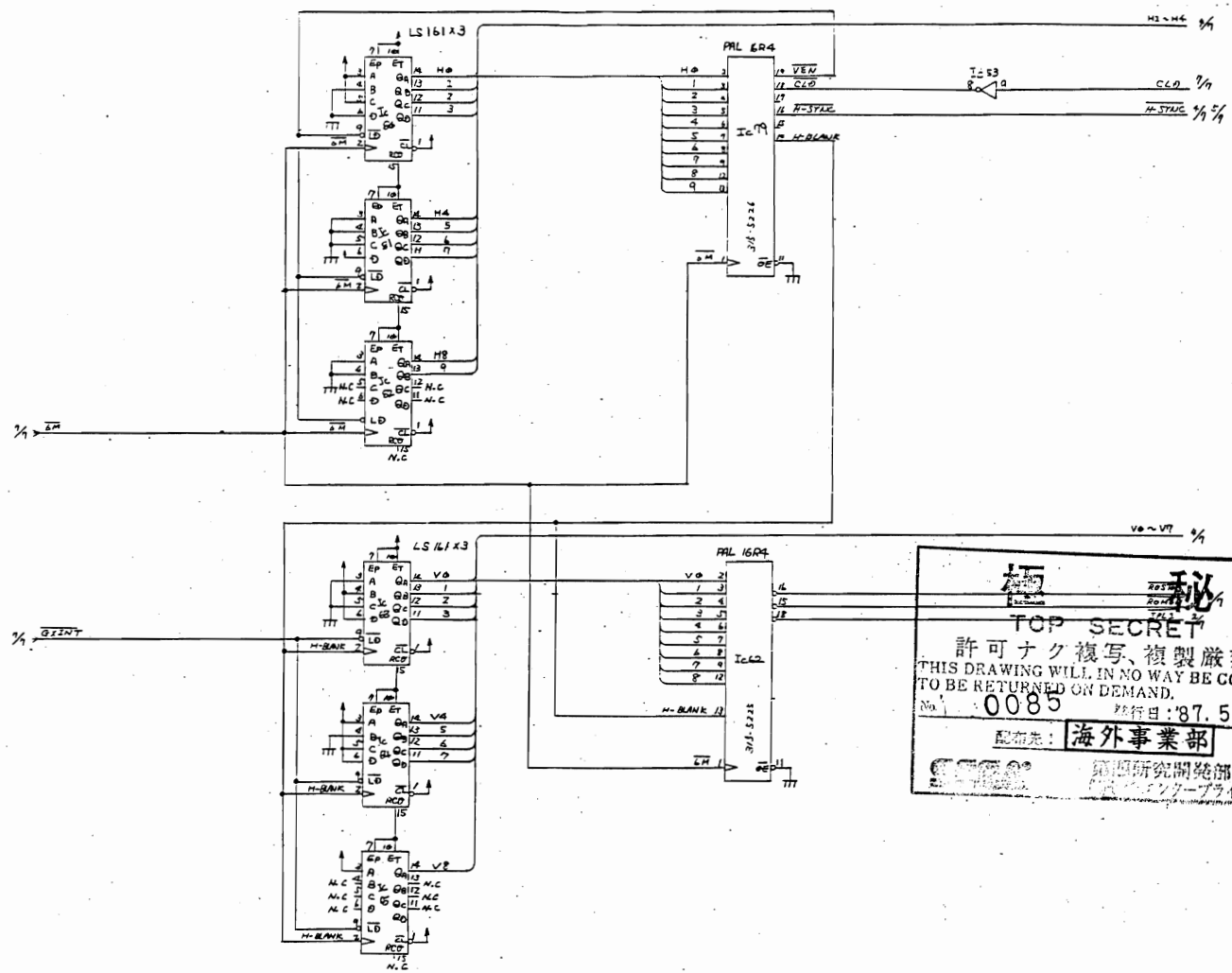
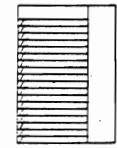
許可ナク複写、複製厳禁  
THIS DRAWING WILL IN NO WAY BE COPIED,  
TO BE RETURNED ON DEMAND.

0085 発行日: 87.5.-7

配布先: 海外事業部

総務研究開発部  
総務エンジニアーズ

<b>SEGA</b> SEGA ENTERPRISES, LTD.		DATE	
THIS DRAWING WILL IN NO WAY BE COPIED, REPRODUCED OR TRANSMITTED IN ANY FORM OR BY ANY MEANS, WITHOUT PERMISSION IN WRITING FROM SEGA ENTERPRISES, LTD.		REV	001
CPU BD SUPER HANG ON		REV	001
PC BD NO 171-5376-01		REV	001
DESCRIPTION		DATE	1987.5.7
		SHEET	5 of 7



**極 秘**

TOP SECRET

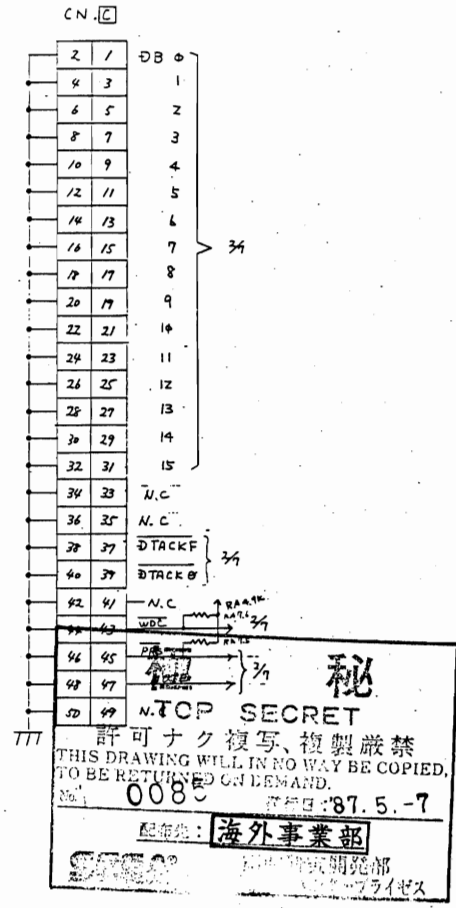
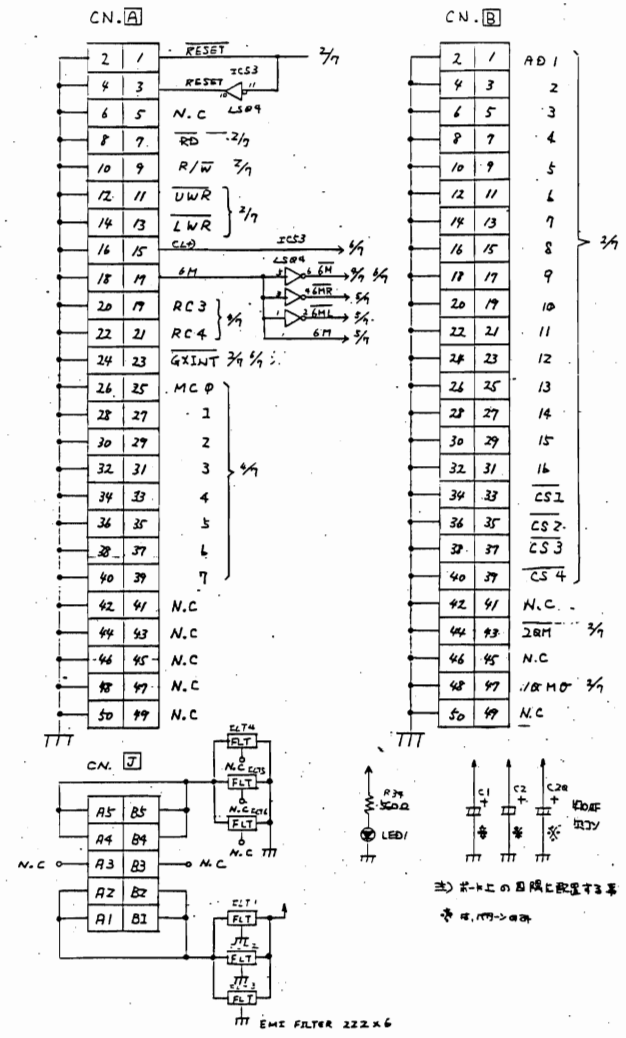
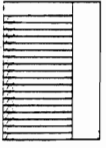
許可ナク複写、複製厳禁  
THIS DRAWING WILL IN NO WAY BE COPIED,  
TO BE RETURNED ON DEMAND.

No. 0085 発行日: 87.5.-7

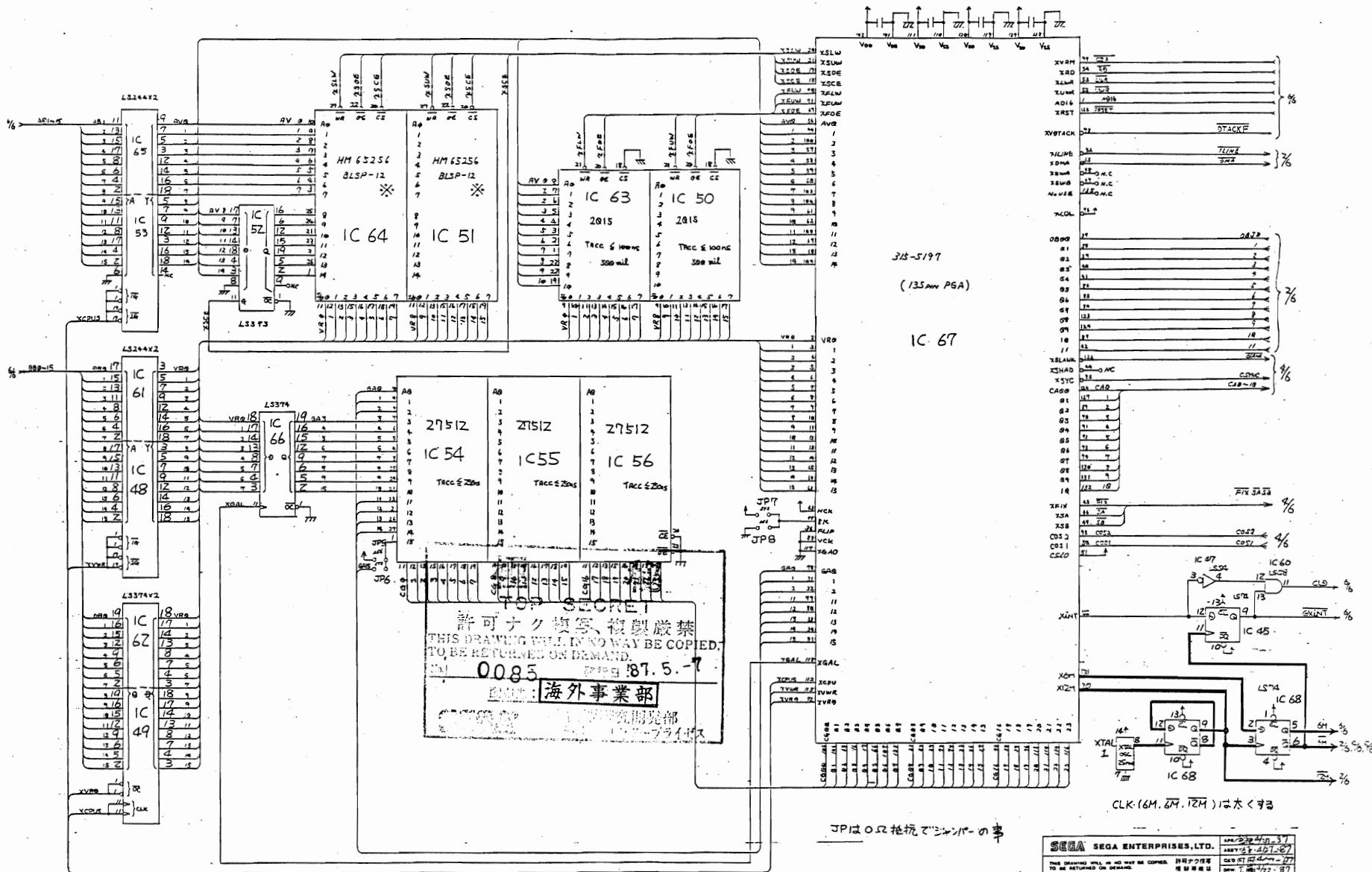
配布先: 海外事業部

第4研究開発部  
PC/BANK-7ライゼス

<b>SEGA</b> SEGA ENTERPRISES, LTD.		DATE	
THIS DRAWING WILL IN NO WAY BE COPIED, REPRODUCED OR RETURNED ON DEMAND.		REV	
CPU BD SUPER HANG ON		REV	
PC BD NO 171-5376-01		REV	87
DESCRIPTION		REV	
		REV	7



SEGA SEGA ENTERPRISES, LTD.		APL	
THIS DRAWING WILL IN NO WAY BE COPIED, TO BE RETURNED ON DEMAND.		AMPT	
CPU BD SUPER HANG ON		REV	
PC BD NO 171-5376-01		837-6278~	
DESCRIPTION		PLAT	NO.
		SHEET 7 OF 7	



315-5197  
 (135mm PGA)

IC-67

CLK (16M, 27, 124) は大きくする

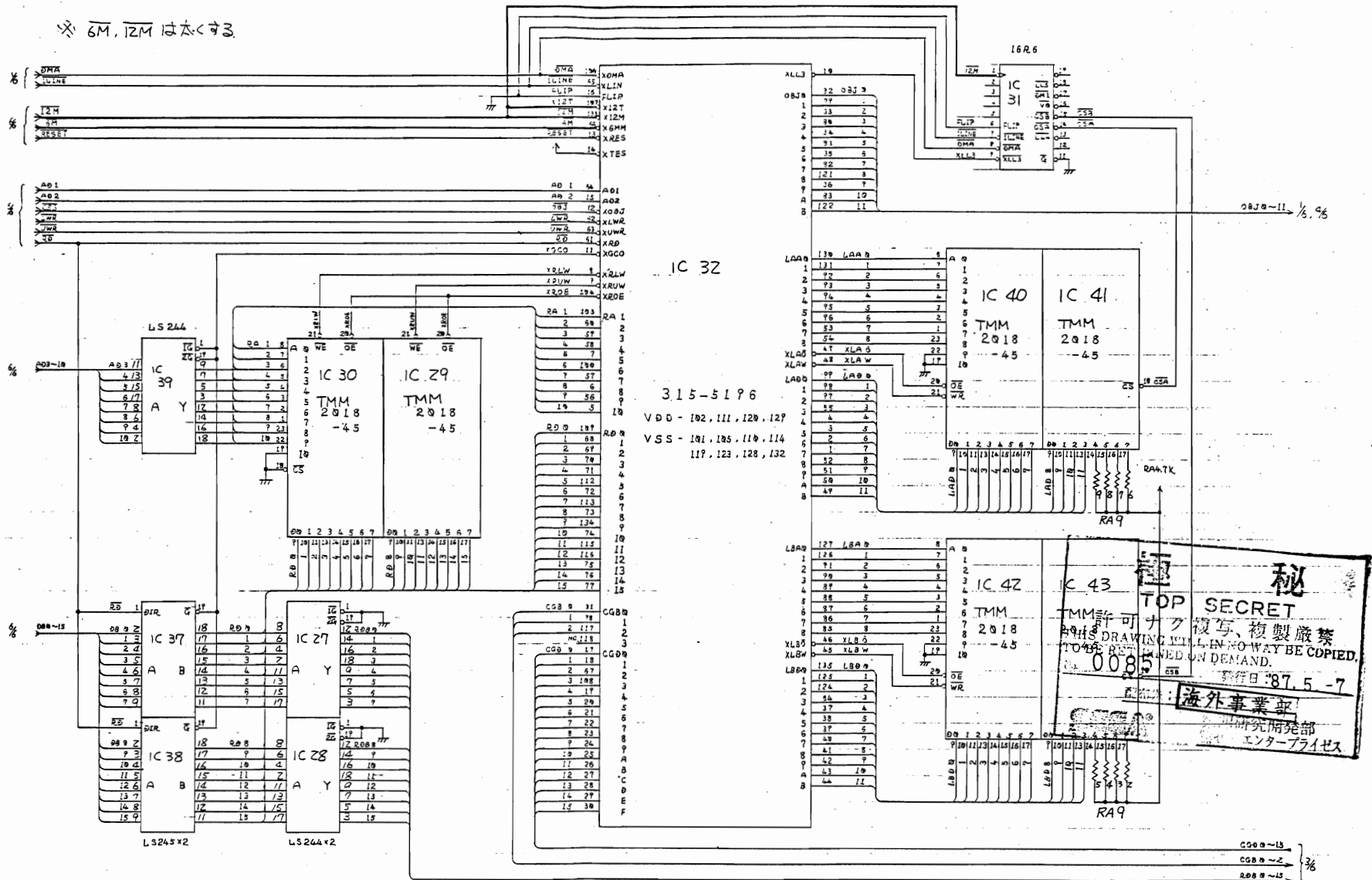
JPIは0.2ピッチでシールドの事

HM 65256 X2 = 1個の77 A822, 74-421, 947 3部品の計

SEGA SEGA ENTERPRISES, LTD.	Rev. 3/77
THIS DRAWING WILL IN NO WAY BE COPIED, TO BE RETURNED ON DEMAND.	REV 837-6279
VIDEO BOARD SUPER HANG ON	DESCRIPTION
	SHEET 1 of 5



※ 6M, 12M は太く印す

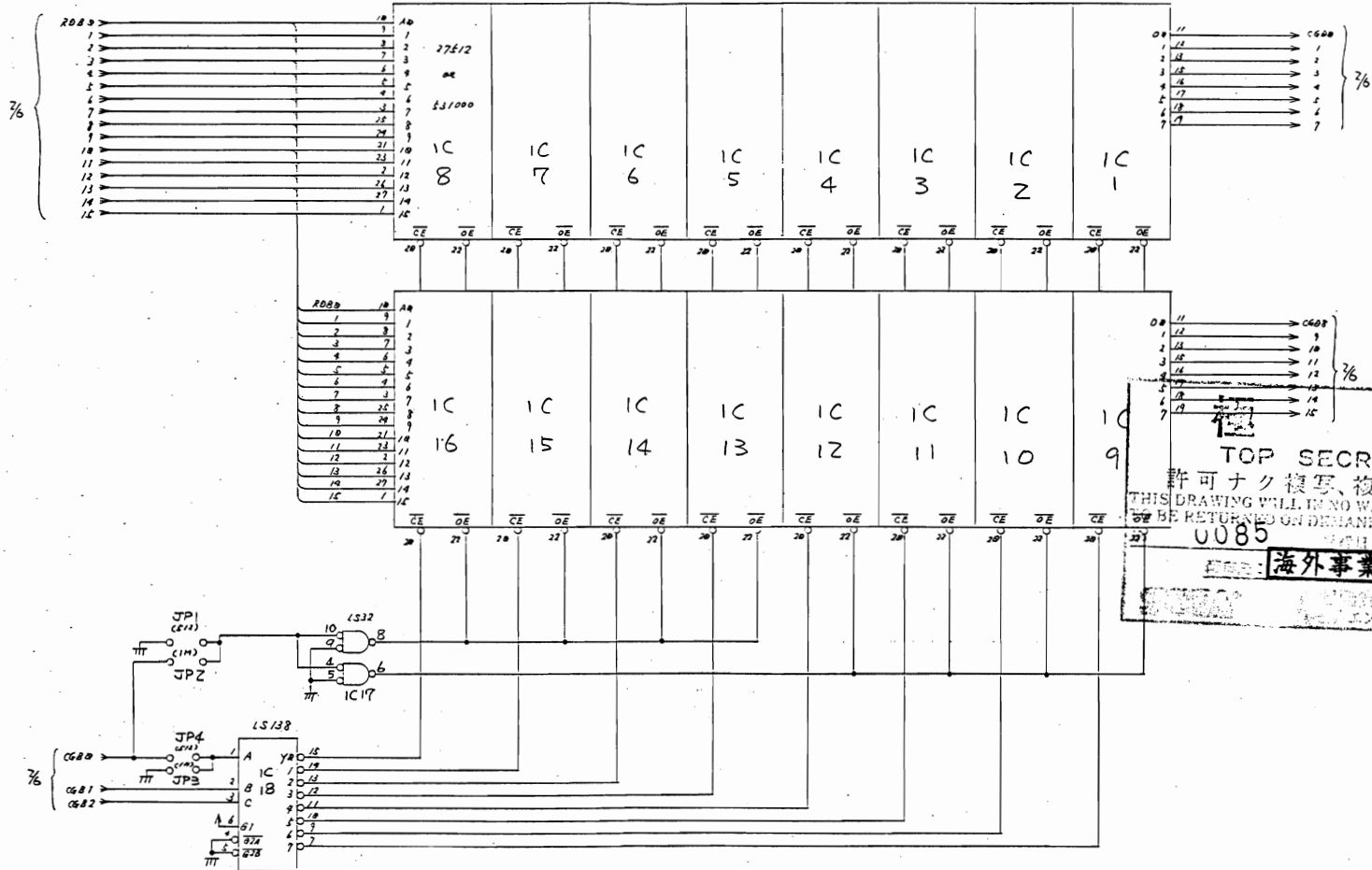


VIDEO BOARD  
SUPER HANG-01

**TOP SECRET**  
複製、複製厳禁  
TMM許可  
THIS DRAWING WILL IN NO WAY BE COPIED, REPRODUCED OR TRANSMITTED IN ANY FORM OR BY ANY MEANS, WITHOUT PERMISSION IN WRITING FROM THE ORIGINAL AUTHOR.  
0085  
発行日 '87.5-7  
海外事業部  
研究開発部  
エンタープライズ

202407-01  
202407-07  
内田 427-07  
工藤 422-07  
837-6279

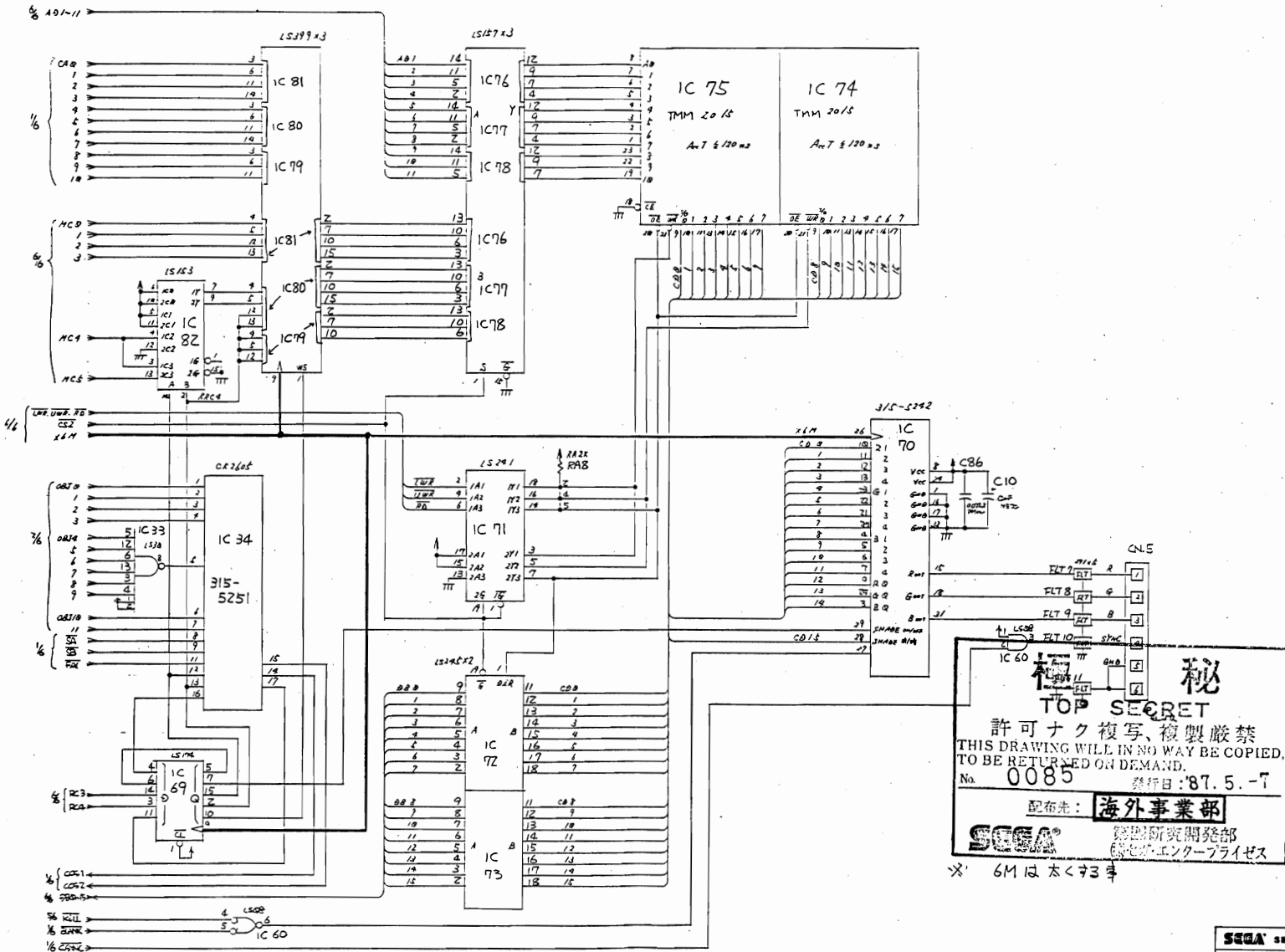
75/2x16



秘  
 TOP SECRET  
 許可なく複写、複製厳禁  
 THIS DRAWING WILL IN NO WAY BE COPIED,  
 BE RETURNED ON DEMAND.  
 U085  
 海外事業部  
 エンタープライゼス

※JPは0Ω抵抗でジャンパーの事

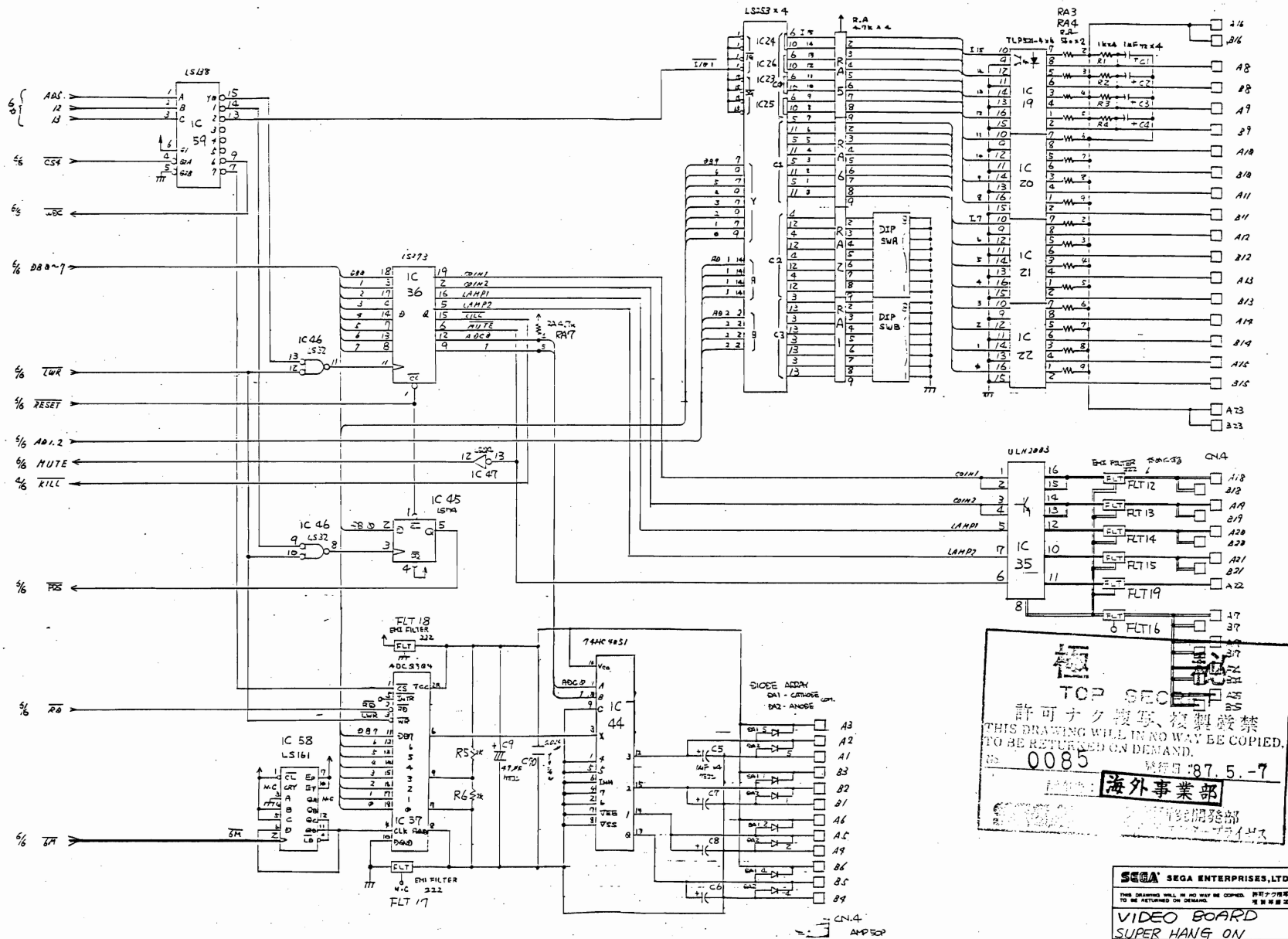
SEGA SEGA ENTERPRISES, LTD.	DATE: 1987.05.27
THIS DRAWING WILL IN NO WAY BE COPIED, BE RETURNED ON DEMAND.	REV: 1
VIDEO BOARD	REV: 837-6279
SUPER HANG ON	REV: 837-6279
DESCRIPTION	SHEET 1 OF 3



秘  
 TOP SECRET  
 許可なく複写、複製厳禁  
 THIS DRAWING WILL IN NO WAY BE COPIED,  
 TO BE RETURNED ON DEMAND.  
 No. 0085 発行日: '87.5.-7  
 配布先: 海外事業部  
 SEGA 総務研究開発部  
 (株)セガエンタープライゼス

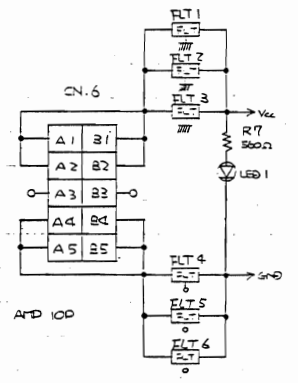
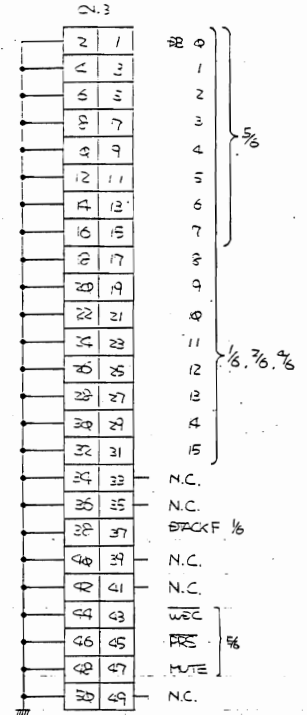
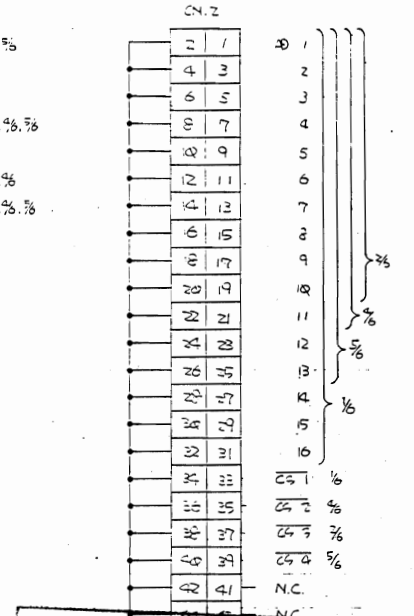
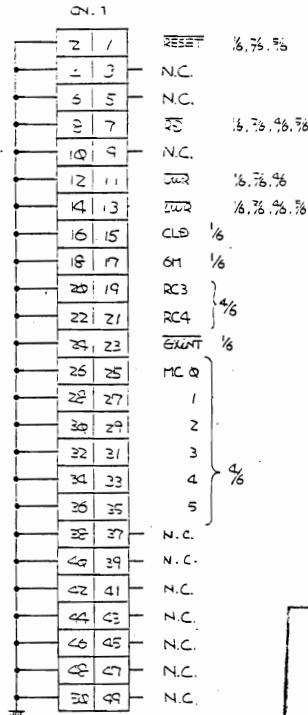
※ 6Mは本くら3手

SEGA SEGA ENTERPRISES, LTD.		DATE: '87.5.-7
THIS DRAWING WILL IN NO WAY BE COPIED, 許可なく複写 TO BE RETURNED ON DEMAND. 複製厳禁		CHKD: '87.5.-18
VIDEO BOARD		REV: '87.5.-18
SUPER HANG ON		REV: 837-6279
DESCRIPTION		PART NO.
SHEET 4 of 4		



TOP SEC  
 許可なく複製、複製厳禁  
 THIS DRAWING WILL IN NO WAY BE COPIED,  
 TO BE RETURNED ON DEMAND.  
 0085 87.5-7  
 海外事業部

SEGA SEGA ENTERPRISES, LTD.	DATE: 87.5.7
THIS DRAWING WILL IN NO WAY BE COPIED, TO BE RETURNED ON DEMAND.	REV: 837-6279
VIDEO BOARD SUPER HANG ON	DESCRIPTION
	SHEET 5 OF 6



許可...  
 THIS DRAWING WILL IN NO WAY BE COPIED,  
 TO BE RETURNED ON DEMAND.  
 0.085  
 海外事業部

C11 C12 C13 C14  
 \* 470F 40V = 20A 40V = 20A