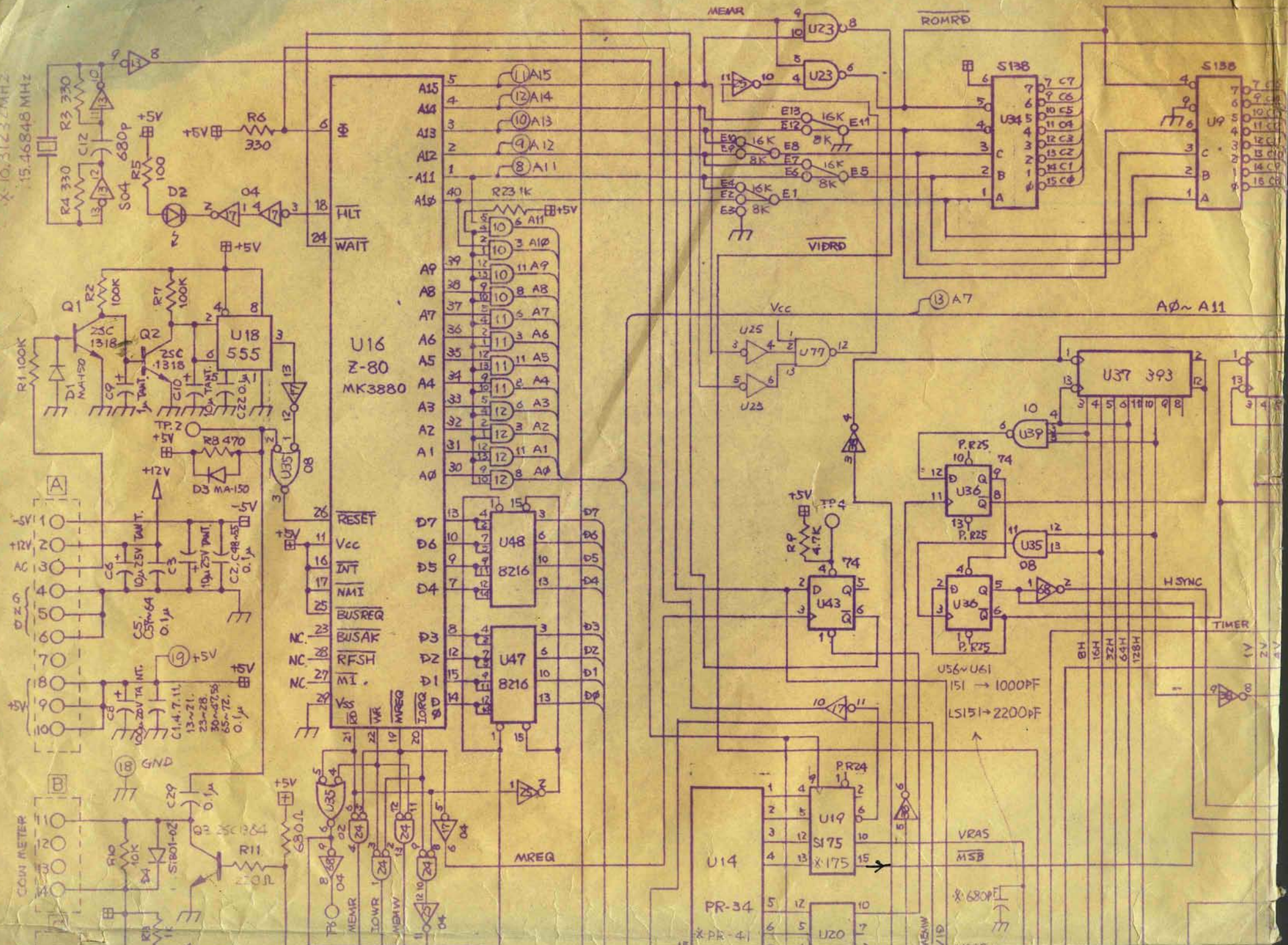
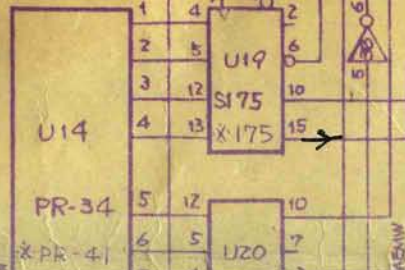
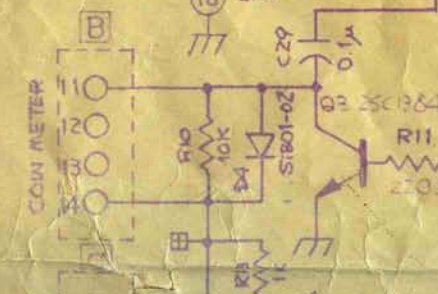
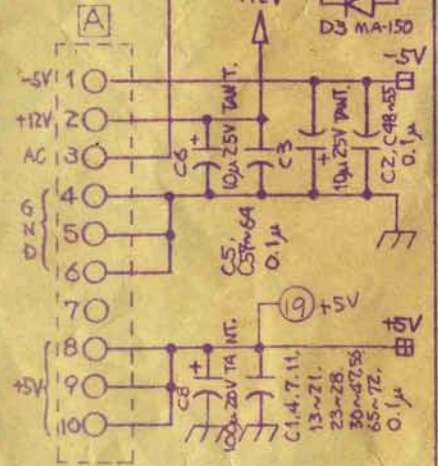


X-10,312.32MHZ
15.46848MHZ

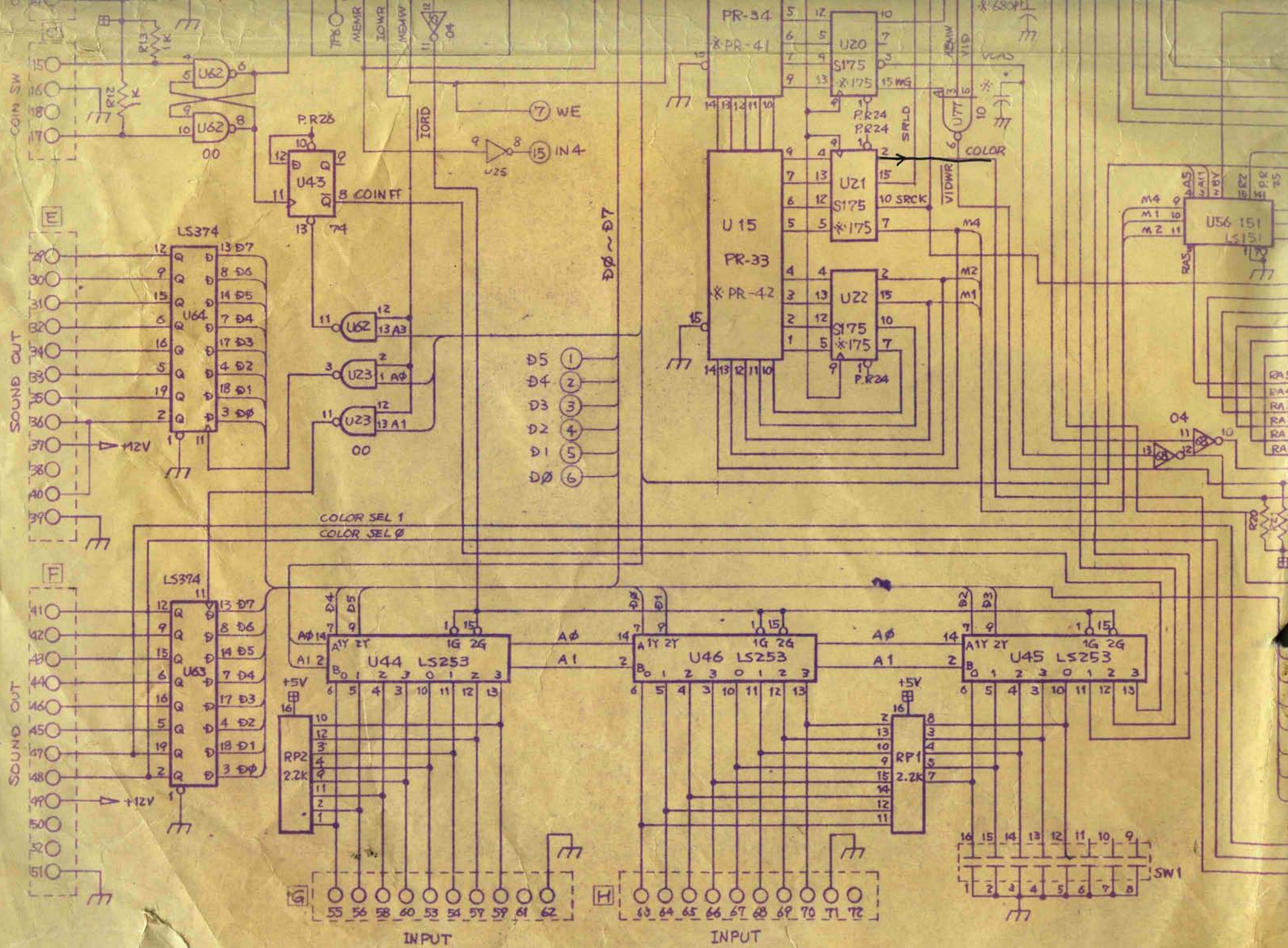


U16
Z-80
MK3880



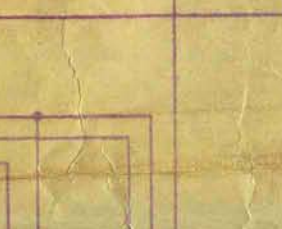
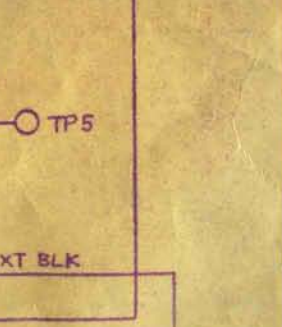
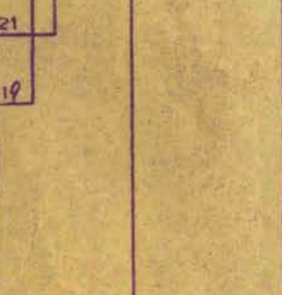
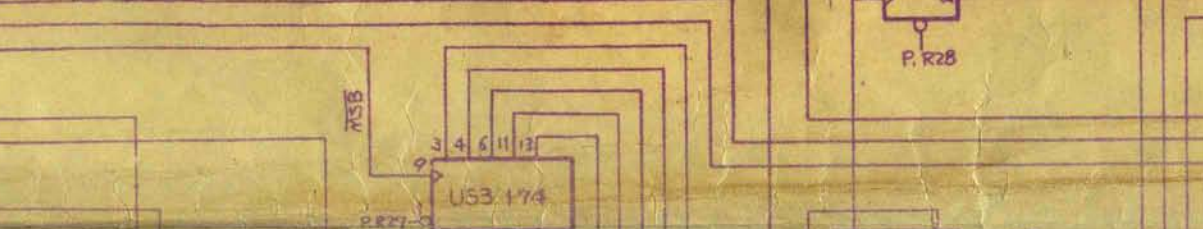
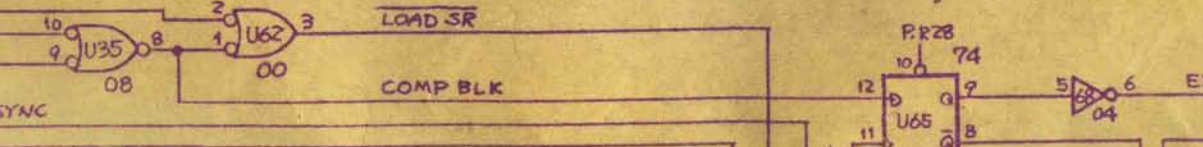
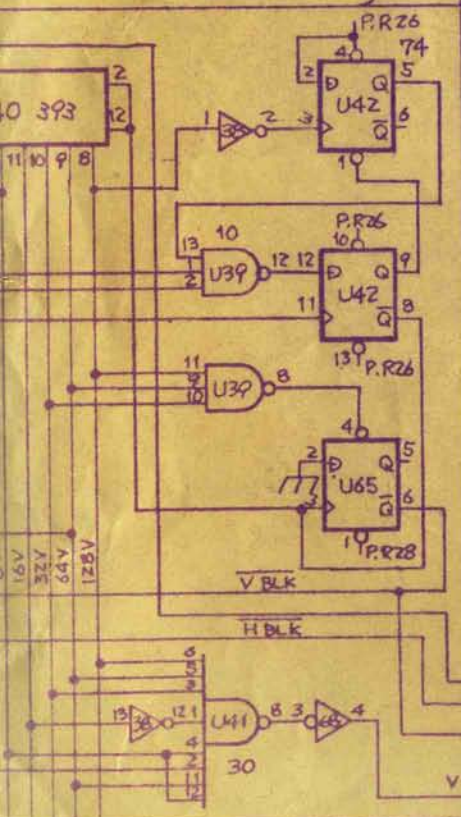
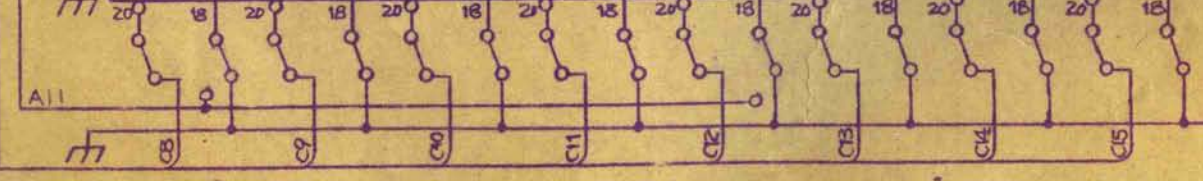
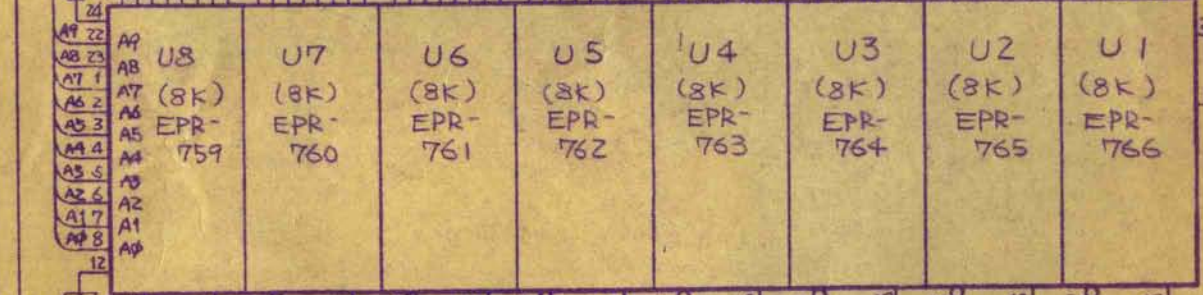
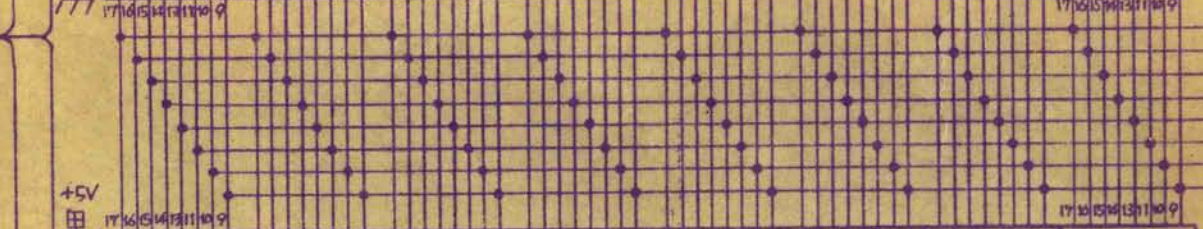
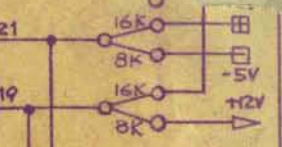
U56~U61
151 → 1000PF
LS151 → 2200PF

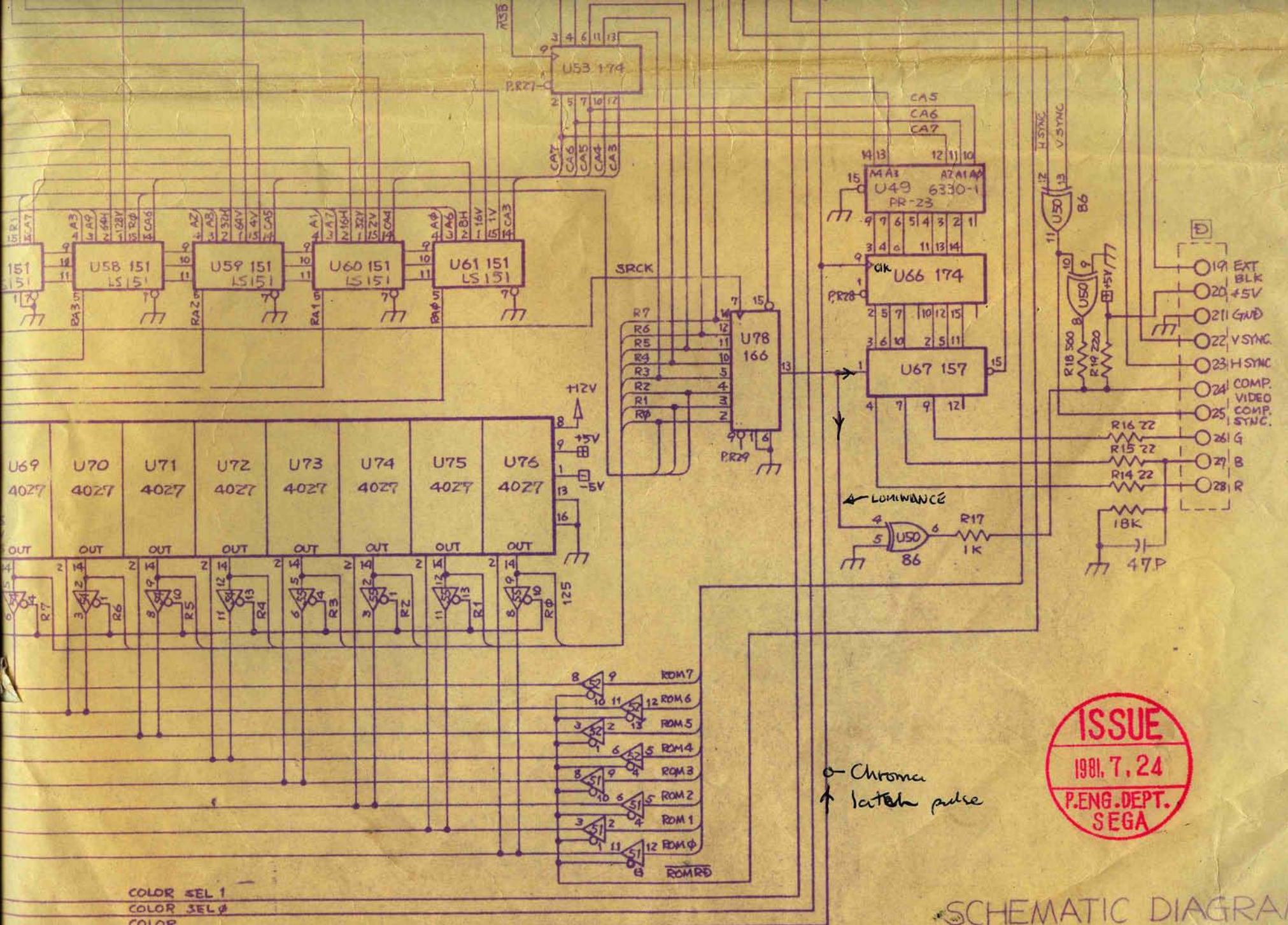
× 680PF



4.7K X 8
(C4 ~ C7)

4.7K X 8
(C8 ~ C15)





ISSUE
 1981.7.24
 P.ENG. DEPT.
 SEGA

SCHEMATIC DIAGRAM

97753-P-□ IC BOARD ASS'Y, STAR RAKER (D-1/2)

