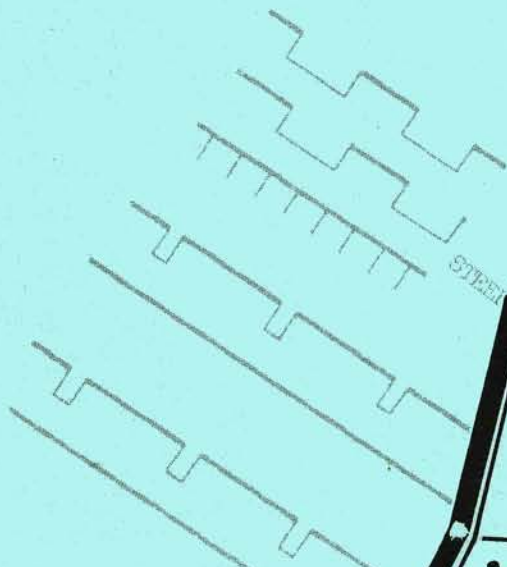
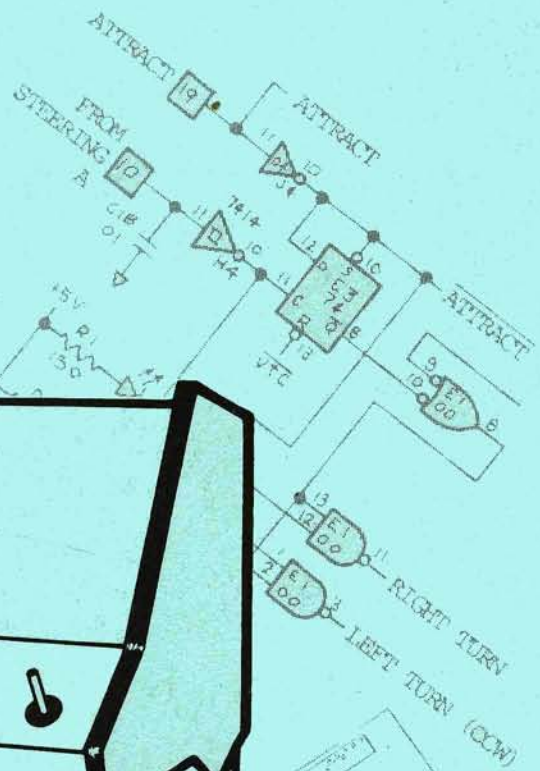
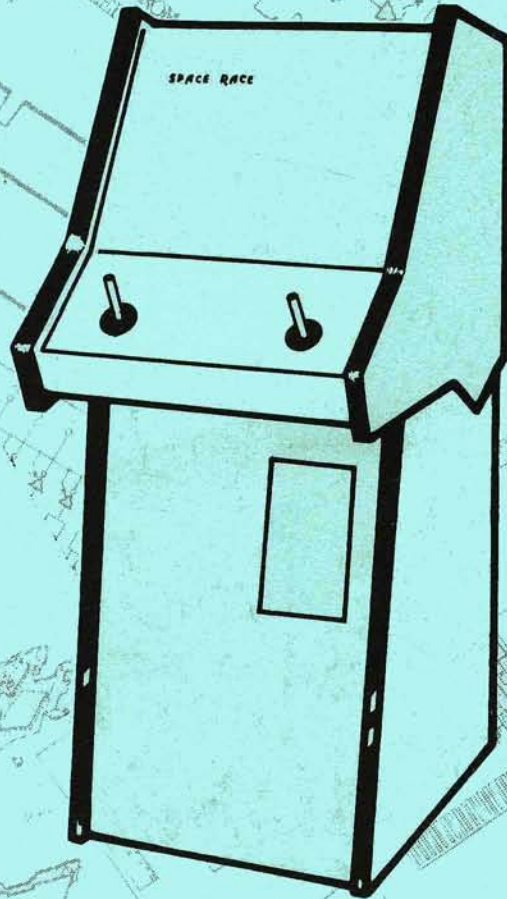


SPACE RACE

SERVICE MANUAL



- 1. SPRING ASSEMBLY
- 2. COIN MECHANISM
- 3. COIN MECHANISM
- 4. COIN MECHANISM
- 5. COIN MECHANISM
- 6. COIN MECHANISM
- 7. COIN MECHANISM
- 8. COIN MECHANISM
- 9. COIN MECHANISM
- 10. COIN MECHANISM
- 11. COIN MECHANISM
- 12. COIN MECHANISM
- 13. COIN MECHANISM
- 14. COIN MECHANISM
- 15. COIN MECHANISM
- 16. COIN MECHANISM
- 17. COIN MECHANISM
- 18. COIN MECHANISM

WARRANTY

Seller warrants that its printed circuit boards and parts thereon are free from defects in material and workmanship under normal use and service for a period of ninety (90) days from date of shipment. Seller warrants that its television monitors are free from defects in material and workmanship under normal use and service for a period of thirty (30) days from date of shipment. None of the Seller's other products or parts thereof are warranted.

If the products described in this manual fail to conform to this warranty, Sellers' sole liability shall be, at its option, to repair, replace, or credit Buyer's account for such products which are returned to Seller during said warranty period, provided:

- (a) Seller is promptly notified in writing upon discovery by Buyer that said products are defective;
- (b) Such products are returned prepaid to Sellers' plant; and
- (c) Seller's examination of said products discloses to Seller's satisfaction that such alleged defects existed and were not caused by accident, misuse, neglect, alteration, improper repair, installation or improper testing.

In no event shall Seller be liable for loss of profits, loss of use, incidental or consequential damages.

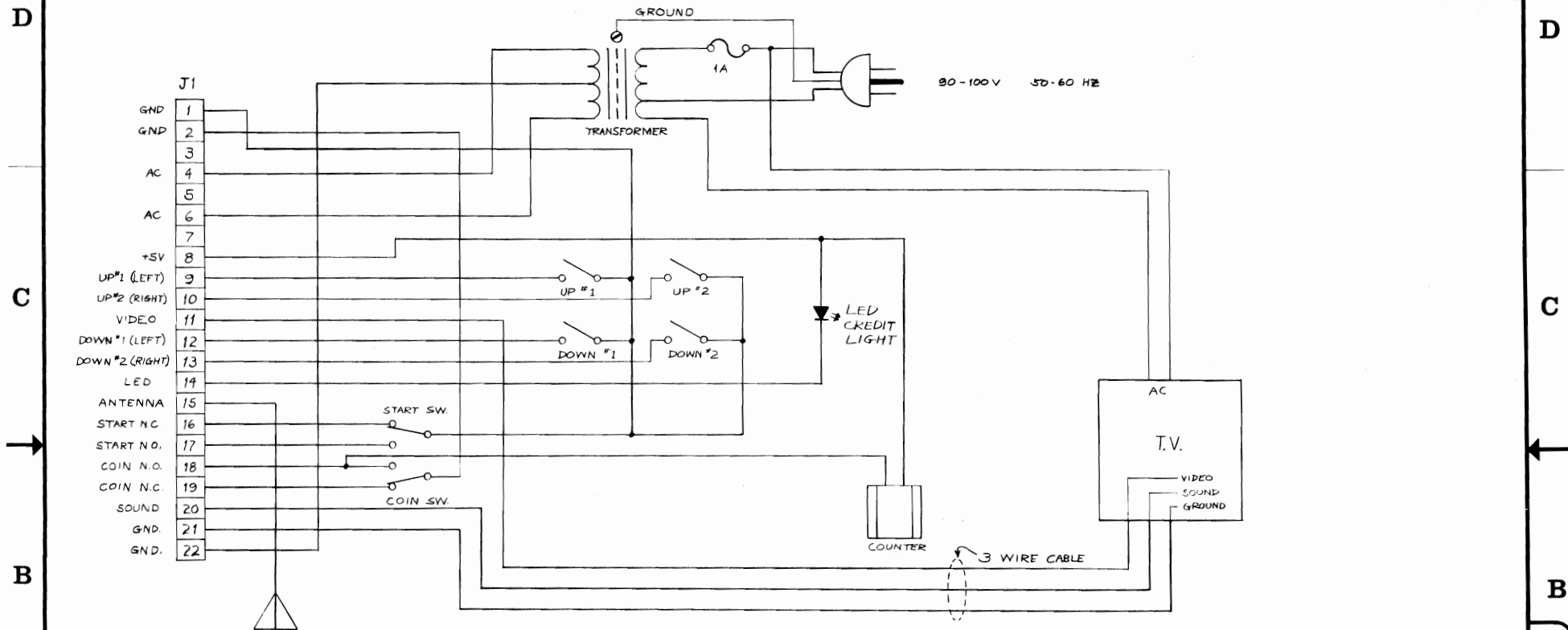
EXCEPT FOR ANY EXPRESS WARRANTY SET FORTH IN A WRITTEN CONTRACT BETWEEN SELLER AND BUYER WHICH CONTRACT SUPERSEDES THE TERMS OF THIS ORDER, THIS WARRANTY IS EXPRESSED IN LIEU OF ALL OTHER WARRANTIES EXPRESSED OR IMPLIED, INCLUDING THE IMPLIED WARRANTIES OF MERCHANTABILITY AND FITNESS FOR A PARTICULAR PURPOSE, AND OF ALL OTHER OBLIGATIONS OR LIABILITIES ON THE SELLER'S PART, AND IT NEITHER ASSUMES NOR AUTHORIZES ANY OTHER PERSON TO ASSUME FOR THE SELLER ANY OTHER LIABILITIES IN CONNECTION WITH THE SALE OF PRODUCTS UNDER THIS ORDER.

This document is and contains confidential trade secret information of Atari, Inc.

This document is loaned under confidential custody for the sole purpose of operation, maintenance or repair of Atari equipment and may not be used by or disclosed to any person for any other purpose whatever, and remains the property of Atari, Inc.

Neither it nor the information it contains may be reproduced, used, or disclosed to persons not having a need to know consistent with the purpose of the loan, without written consent of Atari, Inc.

| REVISIONS | | | | |
|-----------|-----------------------|-------------------|-------|-------------|
| SYM | DESCRIPTION | INITIALS and DATE | | |
| | | DRFTG | CHECK | ENGRG |
| A | REL. TO PROD. REDRAWN | 5/16/74 | | |
| B | REV. PER ECN 517 | 6/24/74 | | WJD 6/15 |



1. ALL SWITCHES SHOWN IN THEIR USUAL POSITIONS

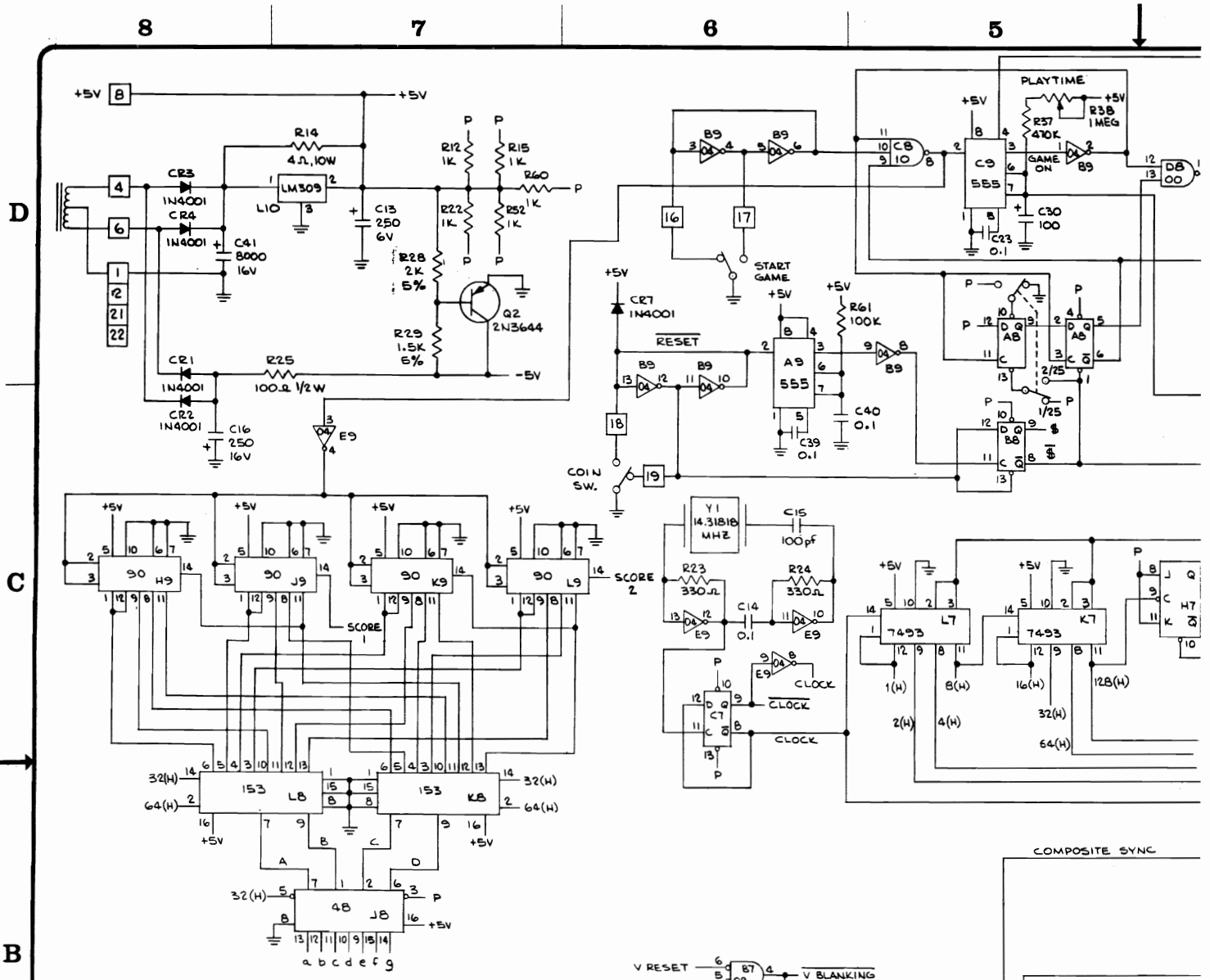
NOTES :

NOTICE TO ALL PERSONS RECEIVING THIS DRAWING
 CONFIDENTIAL. Reproduction Forbidden without the specific written permission of Atari Inc., Los Gatos, California. This drawing is only conditionally issued, and neither receipt nor possession thereof confers or transfers any right in, or license to use, the subject matter of the drawing or any design or technical information shown thereon, nor any right to reproduce this drawing or any part thereof, except for manufacture by vendors for Atari Incorporated and for manufacture under the corporation's written license, no right to reproduce this drawing is granted or the subject matter thereof unless by written agreement with or written permission from the corporation.

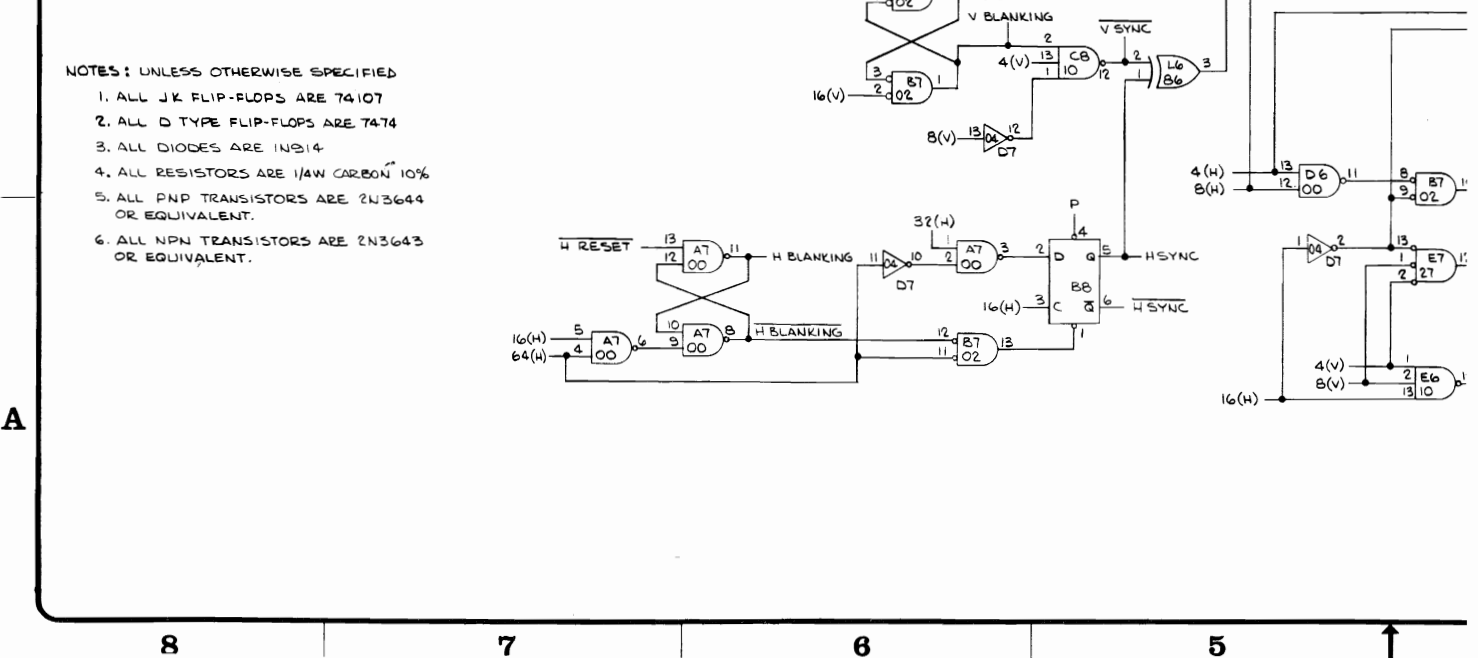
| | |
|-------------|---------|
| | |
| | |
| | |
| SPACE | RACE |
| NEXT ASSY | USED ON |
| APPLICATION | |

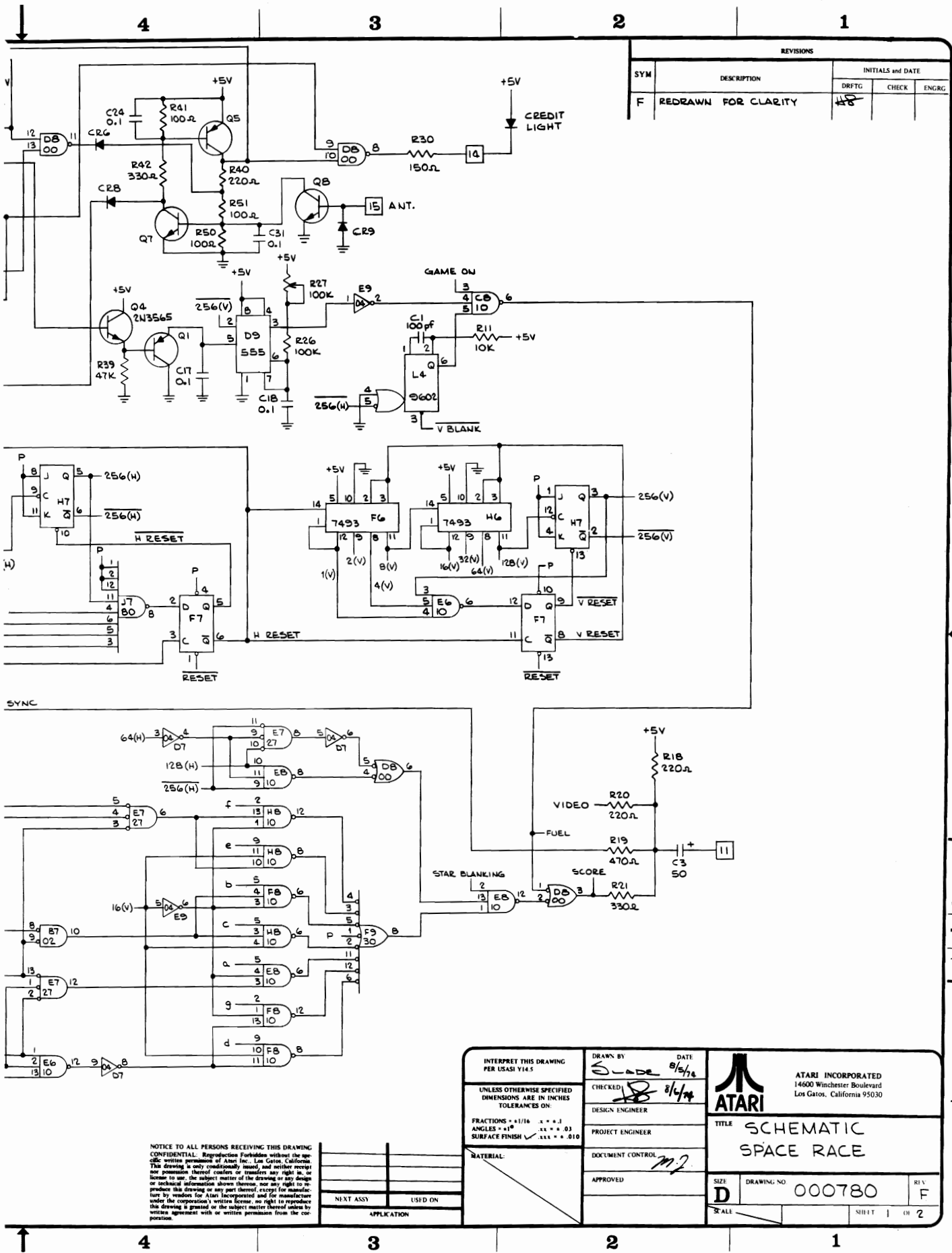
| | | |
|--|--|---|
| INTERPRET THIS DRAWING PER USASI Y14.5 UNLESS OTHERWISE SPECIFIED DIMENSIONS ARE IN INCHES TOLERANCES ON: FRACTIONS = +1/16 x = ±.1 ANGLES = ±1° .XX = ±.03 SURFACE FINISH ✓ XXX = ±.010 | DRAWN BY _____ DATE _____ CHECKED _____ DESIGN ENGINEER _____ DOCUMENT CONTROLLER _____ | ATARI ATARI INCORPORATED 14600 Winchester Boulevard Los Gatos, California 95030 |
| | MATERIAL: _____ APPLICATION: _____ | TITLE WIRING HARNESS S.R. |

DRAWING NO
 000771
 SHEET
 1/1
 REV
 B



- NOTES: UNLESS OTHERWISE SPECIFIED**
1. ALL JK FLIP-FLOPS ARE 74107
 2. ALL D TYPE FLIP-FLOPS ARE 7474
 3. ALL DIODES ARE 1N214
 4. ALL RESISTORS ARE 1/4W CARBON 10%
 5. ALL PNP TRANSISTORS ARE 2N3644 OR EQUIVALENT.
 6. ALL NPN TRANSISTORS ARE 2N3643 OR EQUIVALENT.





| REVISIONS | | | | |
|-----------|---------------------|-------------------|-------|-------|
| SYM | DESCRIPTION | INITIALS and DATE | | |
| | | DRFTG | CHECK | ENGRG |
| F | REDRAWN FOR CLARITY | | | |

D

C

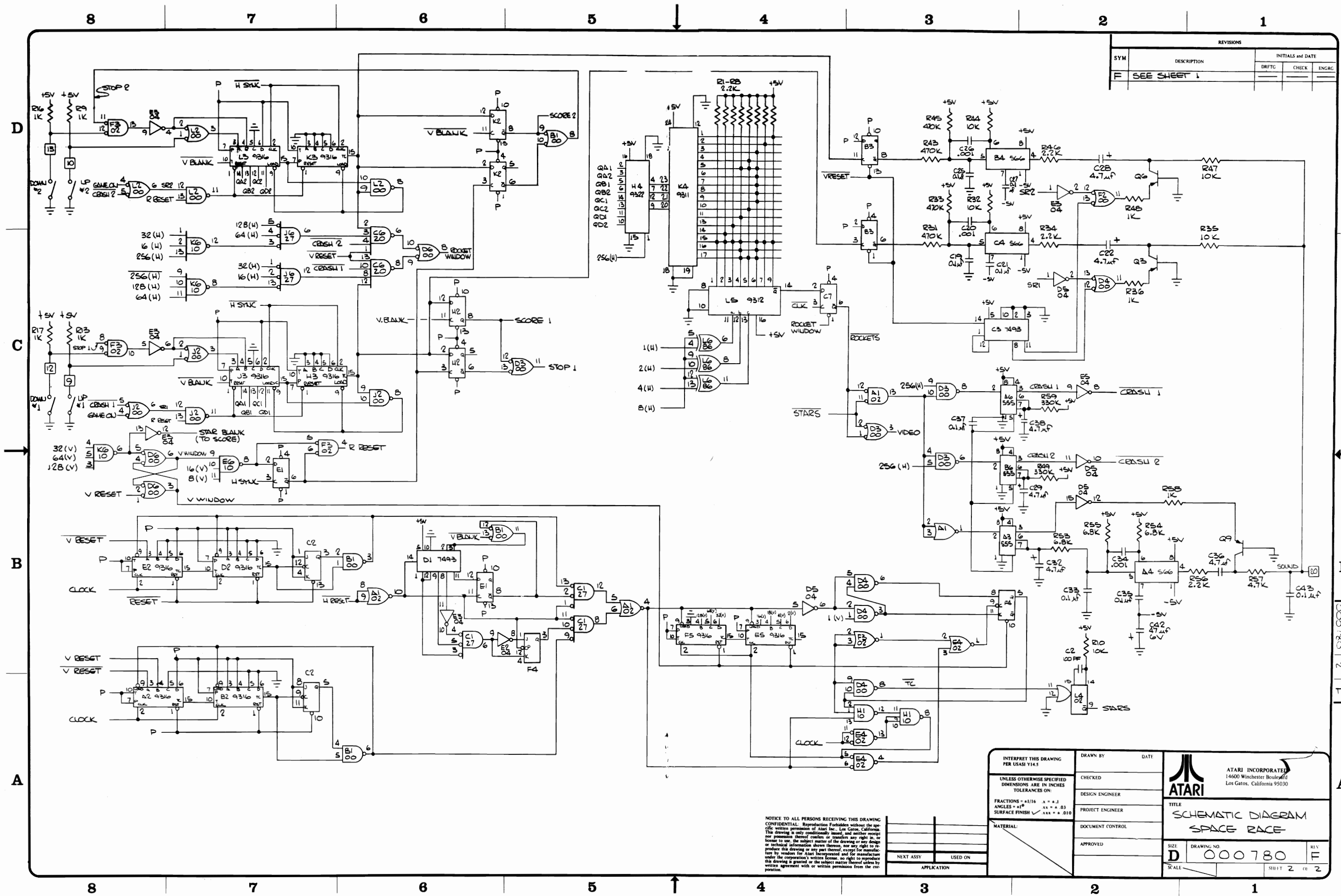
B

A

DRAWING NO. 000780

| | | |
|---|---|---|
| INTERPRET THIS DRAWING PER USASI V14.5 UNLESS OTHERWISE SPECIFIED DIMENSIONS ARE IN INCHES TOLERANCES ON: FRACTIONS = ±1/16 x = ±.3 ANGLES = ±1° .xx = ±.03 SURFACE FINISH ✓ .xxx = ±.010 | DRAWN BY: <i>S. L. S.</i> DATE: 8/5/78 CHECKED: <i>[Signature]</i> 8/14/78 DESIGN ENGINEER: | ATARI INCORPORATED 14600 Winchester Boulevard Los Gatos, California 95030 |
| | PROJECT ENGINEER: | |
| MATERIAL: | DOCUMENT CONTROL: <i>[Signature]</i> APPROVED: | SIZE: D DRAWING NO: 000780 RIV: F |
| APPLICATION: | NEXT ASSY: USED ON: | SHEET 1 OF 2 |

NOTICE TO ALL PERSONS RECEIVING THIS DRAWING
 CONFIDENTIAL: Reproduction Forbidden without the specific written permission of Atari Inc., Los Gatos, California. This drawing is only conditionally issued and neither receipt nor possession thereof confers or transfers any right in, or technical information shown thereon, nor any right to reproduce this drawing or any part thereof, except for manufacture by vendors for Atari Incorporated and for manufacture under the corporation's written license. No right to reproduce this drawing is granted or the subject matter thereof unless by written agreement with or written permission from the corporation.



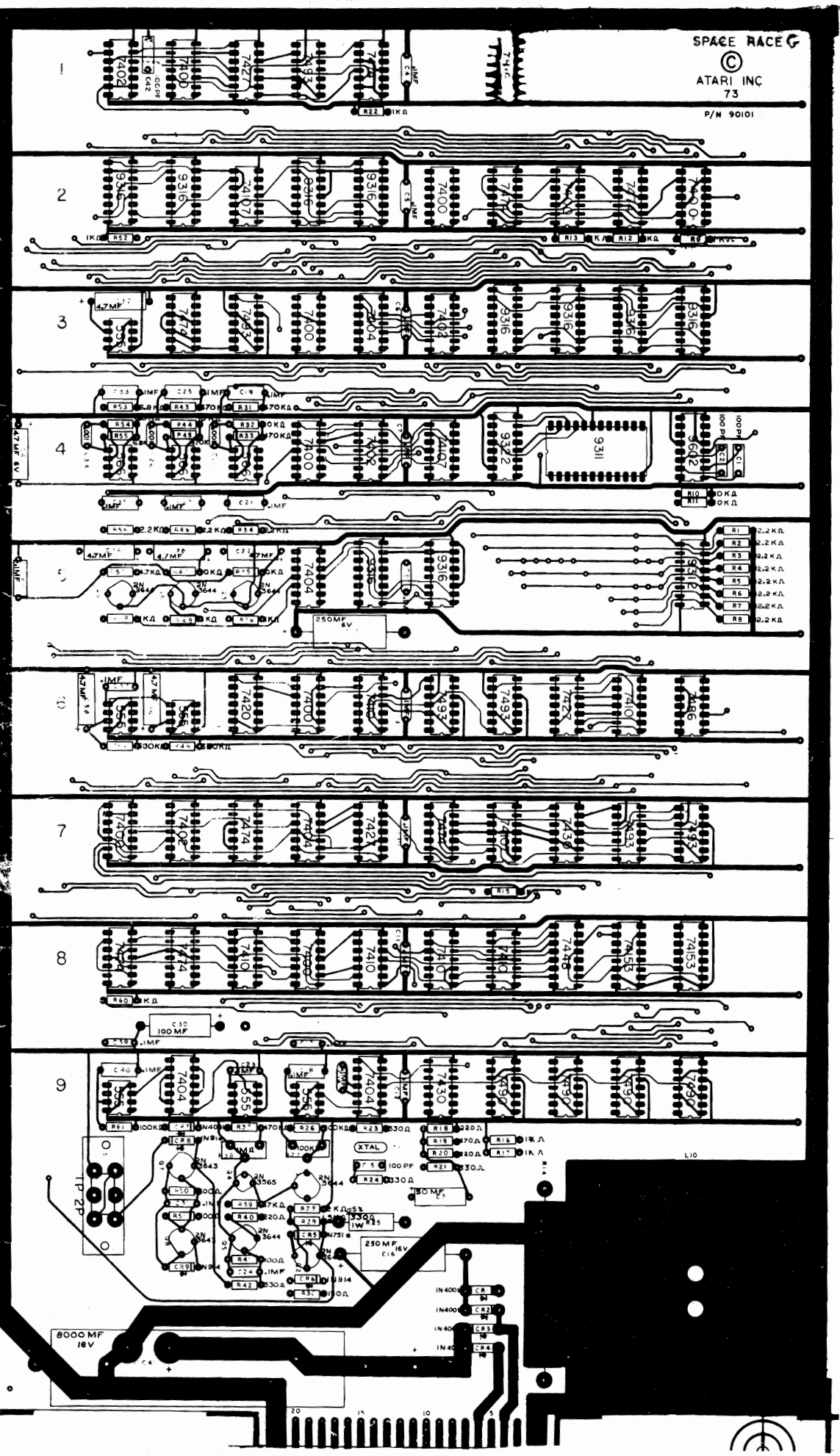
| REVISIONS | | |
|-----------|-------------|-------------------|
| SYM | DESCRIPTION | INITIALS and DATE |
| F | SEE SHEET 1 | |

| | | |
|--|--|--|
| INTERPRET THIS DRAWING PER USASI Y14.5 UNLESS OTHERWISE SPECIFIED DIMENSIONS ARE IN INCHES TOLERANCES ON: FRACTIONS = ±1/16 x = ±.1 ANGLES = ±1° xx = ±.03 SURFACE FINISH ✓ xxx = .010 | DRAWN BY _____ DATE _____ CHECKED _____ DESIGN ENGINEER _____ PROJECT ENGINEER _____ DOCUMENT CONTROL _____ APPROVED _____ | ATARI INCORPORATED 14600 Winchester Boulevard Los Gatos, California 95030 TITLE SCHMATIC DIAGRAM SPACE RACE SIZE D DRAWING NO. 000780 REV F SCALE _____ SHEET 2 OF 2 |
| | MATERIAL: _____ NEXT ASSY _____ USED ON _____ APPLICATION _____ | |
| | NOTICE TO ALL PERSONS RECEIVING THIS DRAWING: CONFIDENTIAL. Reproduction Forbidden without the specific written permission of Atari Inc., Los Gatos, California. This drawing is only conditionally issued, and neither accept nor promise thereof conveys or transfers any right to, use or technical information shown thereon, nor any right to reproduce the corporation's written license, no right to reproduce this drawing is granted or the subject matter thereof unless by written agreement with or written permission from the corporation. | |
| | ON INVENTORY 000780 2 L F | |

SPACE RACE

ATARI INC
73

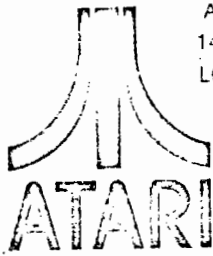
P/N 90101



COMPL VIEW

* USE CR5 OR R20, R29, 1 Q2

Stuffing for SR
000803



ATARI INC
14600 WINCHESTER BOULEVARD,
LOS GATOS, CALIFORNIA 95030

PARTS LIST SPECIFICATIONS

| | | |
|------------------------|------|----------|
| DRAWING NO. A000803 | DATE | REV F |
|------------------------|------|----------|

| |
|---|
| TITLE SPACE RACE PRINTED CIRCUIT BOARD ASSEMBLY VP 121 |
|---|

| | | | |
|-------|------|----------|------|
| DRAWN | DATE | ENGINEER | DATE |
|-------|------|----------|------|

ITEM | PART NO. | QTY | DESCRIPTION

| | | | |
|----|-------|----|---|
| 1 | 72000 | 9 | 7400 Integrated Circuit |
| 2 | 72001 | 4 | 7402 " " |
| 3 | 72002 | 5 | 7404 " " |
| 4 | 72003 | 7 | 7410 " " |
| 5 | 72004 | 1 | 7420 " " |
| 6 | 72006 | 3 | 7427 " " |
| 7 | 72007 | 2 | 7430 " " |
| 8 | 72008 | 1 | 7448 " " |
| 9 | 72010 | 8 | 7474 " " |
| 10 | 72012 | 1 | 7486 " " |
| 11 | 72013 | 4 | 7490 " " |
| 12 | 72014 | 6 | 7493 " " |
| 13 | 72015 | 3 | 74107 " " |
| 14 | 72016 | 2 | 74153 " " |
| 15 | 72023 | 1 | 9311/74154 " |
| 16 | 72024 | 1 | 9312/8230 " |
| 17 | 72017 | 10 | 9316 " " |
| 18 | 72025 | 1 | 9322/74157 " |
| 19 | 72026 | 1 | 9602 " " |
| 20 | 72018 | 6 | 555 " " |
| 21 | 72021 | 3 | 566 " " |
| 22 | 30100 | 4 | 100 PF Capacitor, Mica |
| 23 | 34102 | 3 | .001 MFD Ceramic Bypass Capacitor |
| 24 | 34101 | 17 | .1 MFD Ceramic Bypass Capacitor |
| 25 | 32101 | 9 | .1 MFD Capacitor Mylar, + 10%, 6V. |
| 26 | 35502 | 6 | 5MFD Capacitor, Electrolytic 10V |
| 27 | 39100 | 1 | 100 MFD Capacitor, Tantalum, 10V 20% |
| 28 | 35254 | 1 | 250 MFD Capacitor Electrolytic, 6V |
| 29 | 37101 | 1 | 250 MFD Capacitor Electrolytic, 16V |
| 30 | 35473 | 2 | 47 MFD Capacitor Electrolytic 6V |
| 31 | 37100 | 1 | 8000 MFD Capacitor Electrolytic 16V |
| 32 | 10101 | 3 | 100 ohm, + 10%, 1/4 Watt, Carbon Resistor |
| 33 | 10151 | 1 | 150 ohm, " " " " |
| 34 | 10221 | 3 | 220 ohm " " " " |
| 35 | 10331 | 4 | 330 ohm " " " " |

PARTS LIST SPECIFICATIONS

DRAWING NO.

DATE

REV

A000803

F

ITEM PART NO. QTY DESCRIPTION Space Race-PC Board Ass'y

| | | | |
|----|-------|-----|--|
| 36 | 10471 | 1 | 470 ohm, $\pm 10\%$, 1/4 Watt, Carbon Resistor |
| 37 | 10102 | 13 | 1K ohm " " " " |
| 38 | 10222 | 11 | 2.2K ohm " " " " |
| 39 | 10472 | 1 | 4.7K ohm " " " " |
| 40 | 10682 | 3 | 6.8K ohm " " " " |
| 41 | 10103 | 6 | 10K ohm " " " " |
| 42 | 10473 | 1 | 47K ohm " " " " |
| 43 | 10104 | 2 | 100K ohm " " " " |
| 44 | 10334 | 2 | 330K ohm " " " " |
| 45 | 10474 | 5 | 470K ohm " " " " |
| 46 | 12101 | 1 | 100 ohm, $\pm 10\%$, 1/2 Watt, " " |
| 47 | 11152 | 1 | 1.5K ohm $\pm 5\%$, 1/4 Watt, " " |
| 48 | 11202 | 1 | 2.0K ohm " " " " |
| 49 | 19100 | 1 | 4 ohm, $\pm 20\%$, 10 Watt Resistor, Wire Wound |
| 50 | 22104 | 1 | 100K, Trim Pot, PC Mount |
| 51 | 22105 | 1 | 1 Meg., Trim Pot, PC Mount |
| 52 | 71000 | 30 | 1N914 Diode |
| 53 | 71001 | 5 | 1N4001 Diode |
| 54 | 70000 | 2 | 2N3643 Transistor |
| 55 | 70001 | 6 | 2N3644 Transistor |
| 56 | 70002 | 1 | 2N3656 Transistor |
| 57 | 72019 | 1 | LM309K Voltage Regulator |
| 58 | 83014 | 1 | Heatsink, Wakefield 680-1.25A |
| 59 | 84001 | a/r | Heatsink Compound (#340 Dow) |
| 60 | 60000 | 1 | Switch, DPDT Slide, PC Mount |
| 61 | 81001 | 1 | Crystal, 14.31818 MHZ (HC-25 Case) |
| 62 | 75100 | 2 | Screw, 6-32 x 5/8 Pan Hd. |
| 63 | 75101 | 4 | Washer, 6-32 Internal Star Lock |
| 64 | 75102 | 2 | Washer, 6-32 Flat |
| 65 | 75103 | 2 | Hex Nut, 6-32 |
| 66 | 90101 | 1 | P. C. Board, Space Race |

