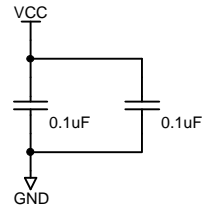
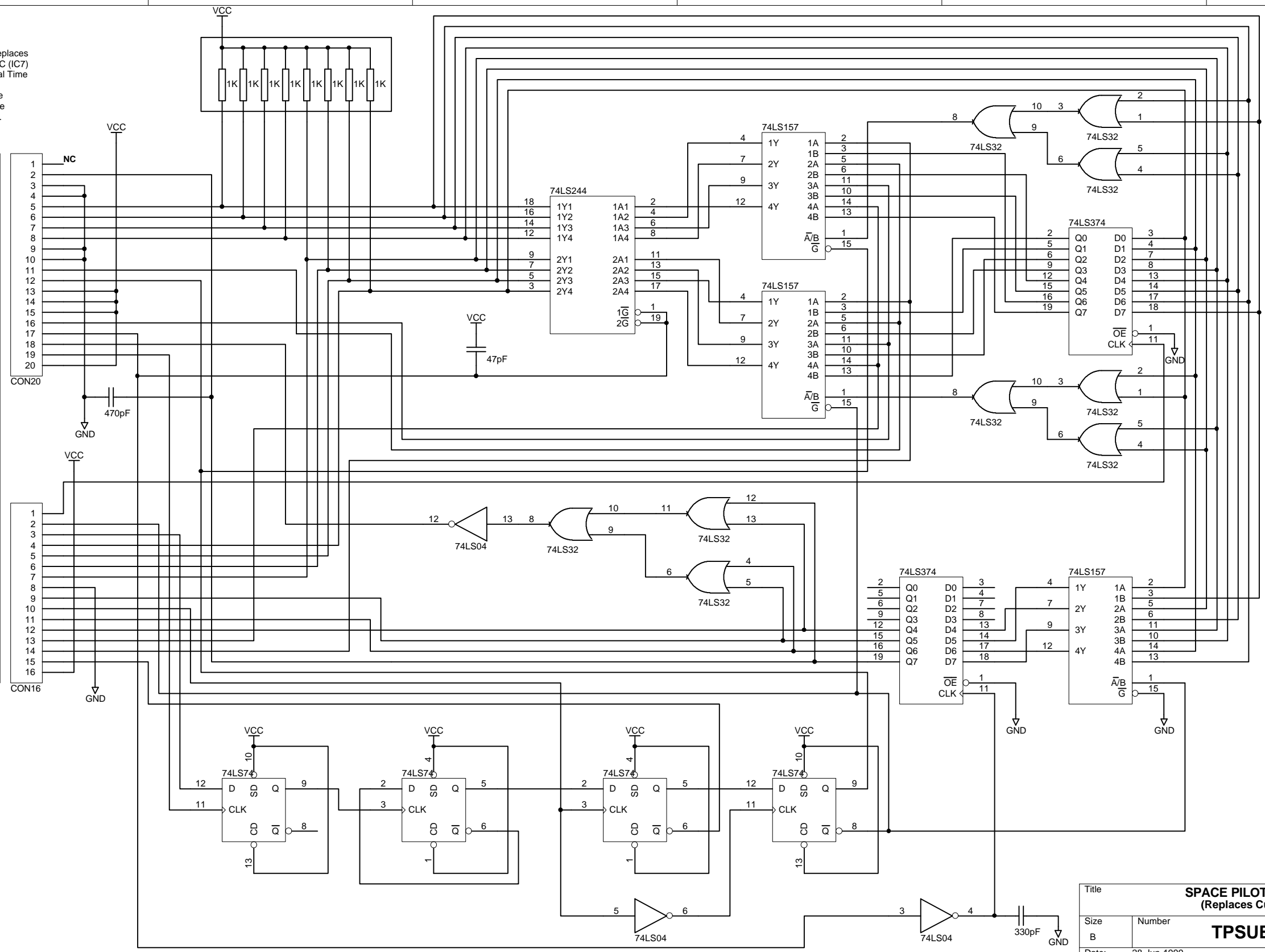
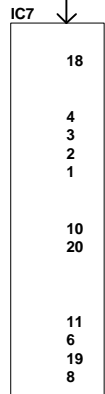


This circuit replaces the custom IC (IC7) of the original Time Pilot Circuit. These are the pinouts of the custom chip.



Title			SPACE PILOT SUB BOARD 2 (Replaces Custom IC at IC7)		
Size	Number	Revision			
B	TPSUB2	2			
Date:	28-Jun-1999	Sheet 1 of 1			
File:	C:\Client99\SpacePilot.ddb	Drawn By:		ADE	