

Aladdin's Castle® Memo

October 5, 1981

TO: ALL MANAGERS
FROM: TECHNICAL SERVICE DEPARTMENT
RE: GREMLIN "SPACE FURY" MODIFICATION/RECALL

Most of you are aware of the design problems in Gremlin's "Space Fury" which results in the destruction of the monitor.

Gremlin, in conjunction with Electrohome, has come up with a set of modifications to eliminate this problem.

The first stage consists of replacing the X-Y monitor, complete with C.R.T.

All Space Furys with the old type monitor are going to be modified, even if they are presently working.

Those of you who have already sent their chassis in for repair will be receiving a complete monitor via U.P.S. Use the box it is shipped in to return your existing C.R.T. and/or chassis.

The remaining locations must contact us so we can arrange delivery of the replacement monitors. Once again, please use the box the new one was shipped in to return the existing monitor. P.O.

The second phase consists of minor changes to the logic boards. You will find instructions for this enclosed. If you have any questions call Field Service, (800) 621-1005.

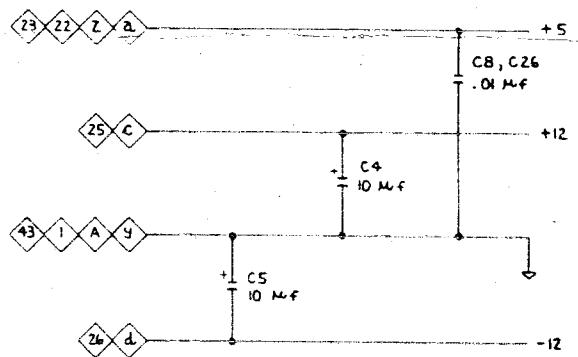
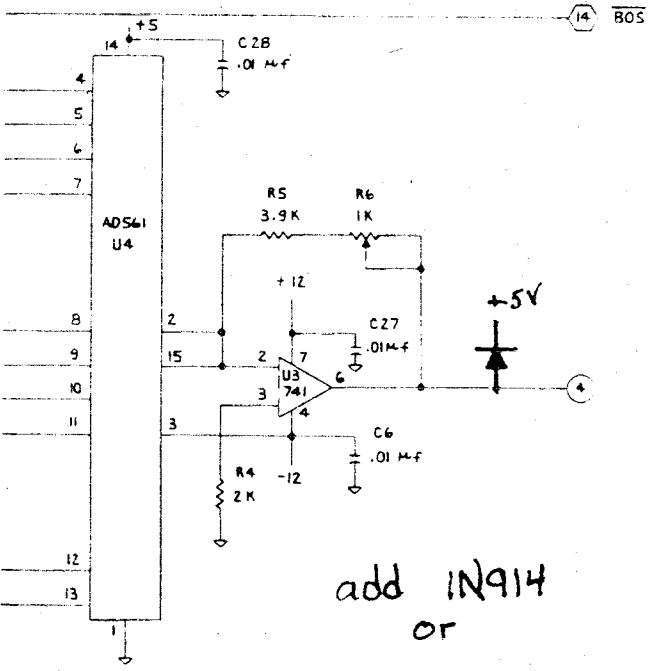
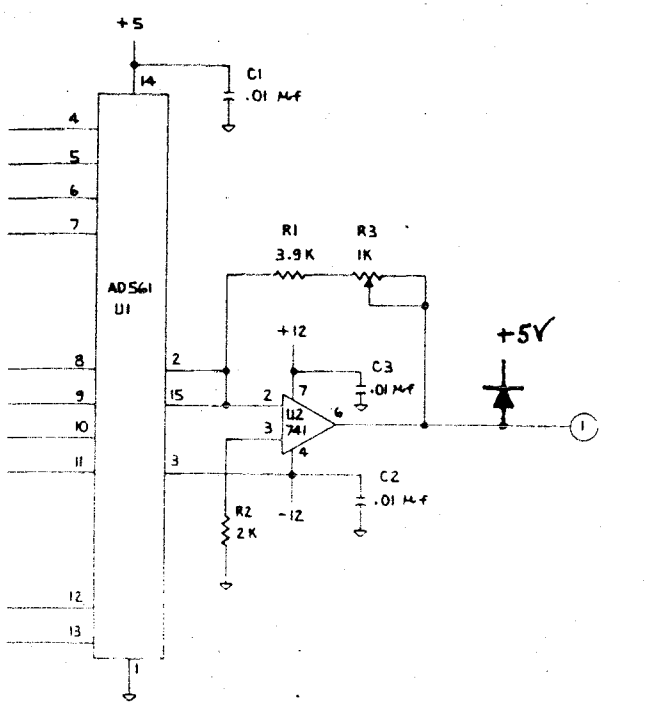
Finally, those locations that are just now receiving their Space Furys should check the monitor to determine if it has been modified at the factory. The new monitors have three additional p.c. boards, one being used as an interface between the logic boards and the monitor, the other two are in series between the monitor p.c. and the output transistors.

Once again, if you have any questions, call Field Service.

Jim Welter
Technical Service Manager

Attachments (2)

| REVISIONS | | | | |
|-----------|-----|-------------|------------|----------|
| ZONE | LTR | DESCRIPTION | DATE | APPROVED |
| A | | RELEASED | SD 4-20-81 | H. PRON |

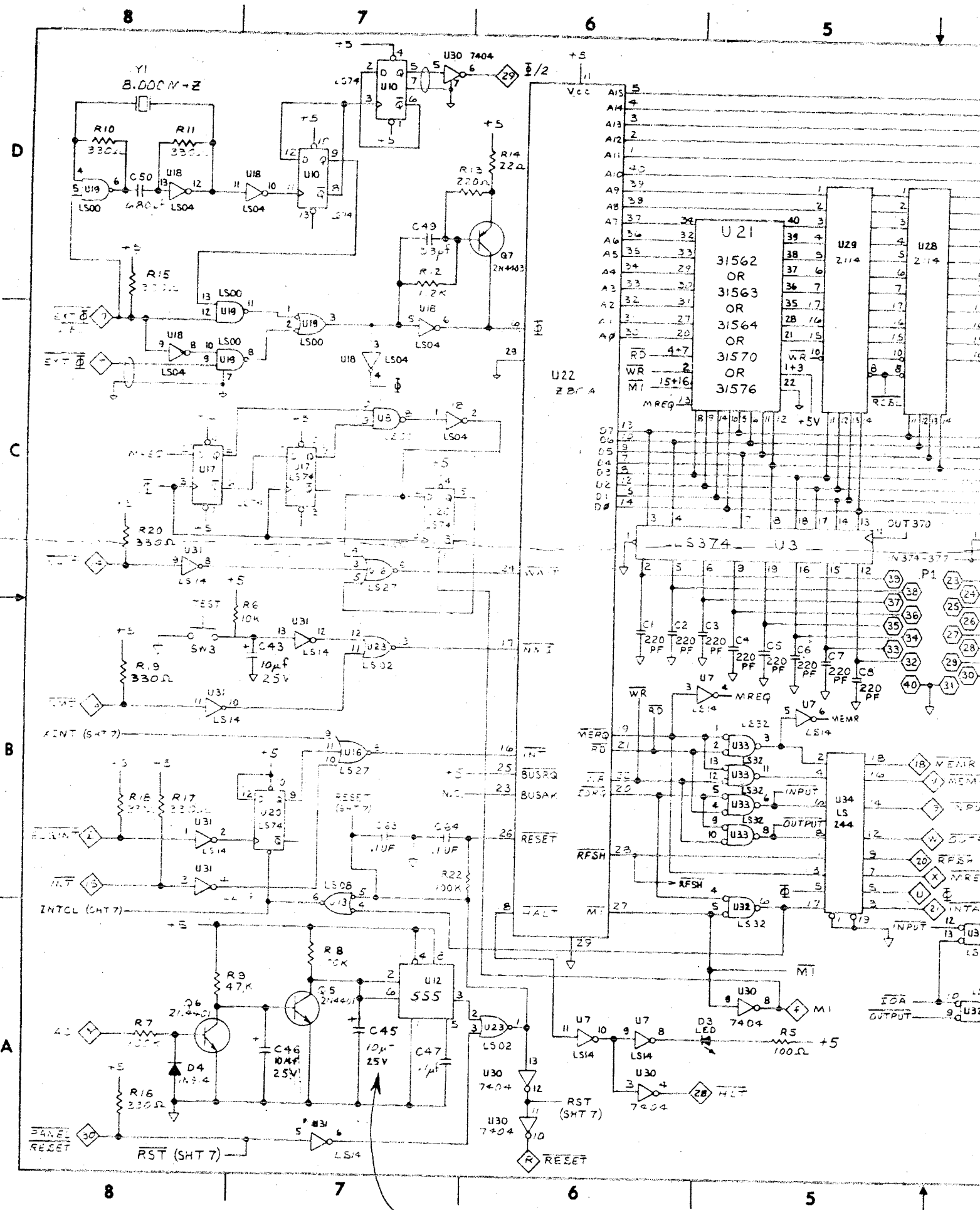


| | |
|-------------|----------|
| 800-3155 | 700-0054 |
| NEXT ASSY | USED ON |
| APPLICATION | |

| QTY REQD | CODE IDENT | PART OR IDENTIFYING NO. | NOMENCLATURE OR DESCRIPTION | |
|---|----------------|-------------------------|-----------------------------|--------------|
| PARTS LIST | | | | |
| UNLESS OTHERWISE SPECIFIED DIMENSIONS ARE IN INCHES TOLERANCES ARE: | | CONTRACT NO. | | |
| FRACTIONS = | DECIMALS .XX ± | APPROVALS | | DATE |
| ANGLES XXX ± | | DRAWN SON DUONG | | 3-12-81 |
| MATERIAL | | CHECKED <i>W. Rave</i> | | 4-20-81 |
| FINISH | | APPROVED <i>H. PRON</i> | | |
| 800-3155 | | 700-0054 | | |
| APPLICATION | | DO NOT SCALE DRAWING | | |
| SIZE D | | CODE IDENT NO. | DRAWING NO. | REV A |
| SCALE NONE | | | 800-0161 | |
| | | | | SHEET 5 OF 7 |

Cramlin Industries, Inc.
San Diego, Calif. 92123

X-Y Timing Board



C45 must be changed to .22 or .33 u