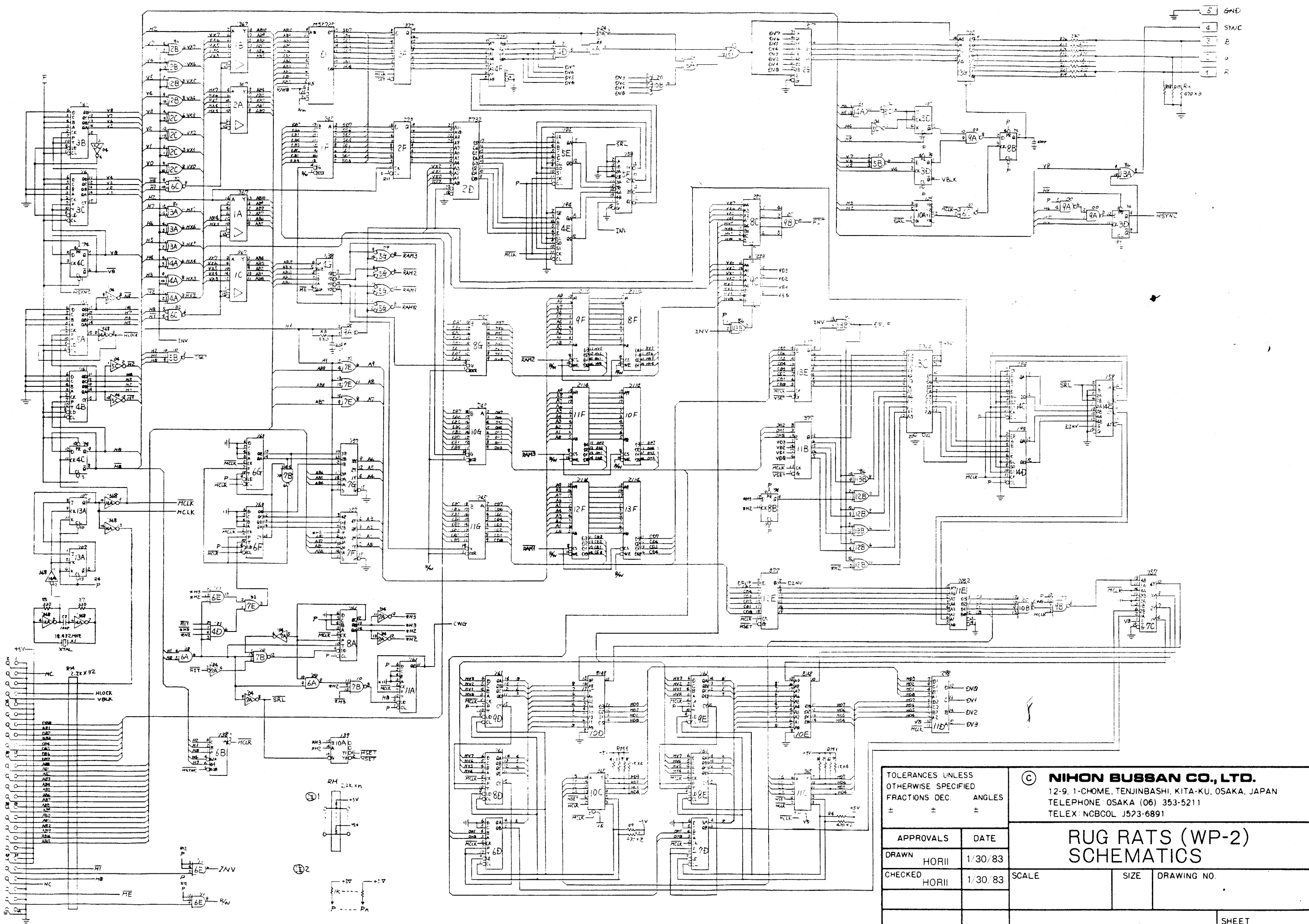


TOLERANCES UNLESS OTHERWISE SPECIFIED		FRACTIONS DEC ANGLES		± ± ±	
APPROVALS	DATE	© NIHON BUSSAN CO., LTD. 12-9, 1-CHOME, TENJINBASHI, KITA-KU, OSAKA, JAPAN TELEPHONE OSAKA (06) 353-5211 TELEX: NOBCOL J523-6891			
DRAWN HORII	1/30/83	RUG RATS (WP-1) SCHEMATICS			
CHECKED HORII	1/30/83				
SCALE	SIZE	DRAWING NO	SHEET		



TOLERANCES UNLESS OTHERWISE SPECIFIED		ANGLES		NIHON BUSSAN CO., LTD. 12-9, 1-CHOME, TENJINBASHI, KITA-KU, OSAKA, JAPAN TELEPHONE: OSAKA (06) 353-5211 TELEX: NCBOL J523-6891	
±	±	±	±		
APPROVALS	DATE	RUG RATS (WP-2) SCHEMATICS		SCALE	SIZE
DRAWN	HORII 1/30/83			DRAWING NO.	
CHECKED	HORII 1/30/83				
				SHEET	