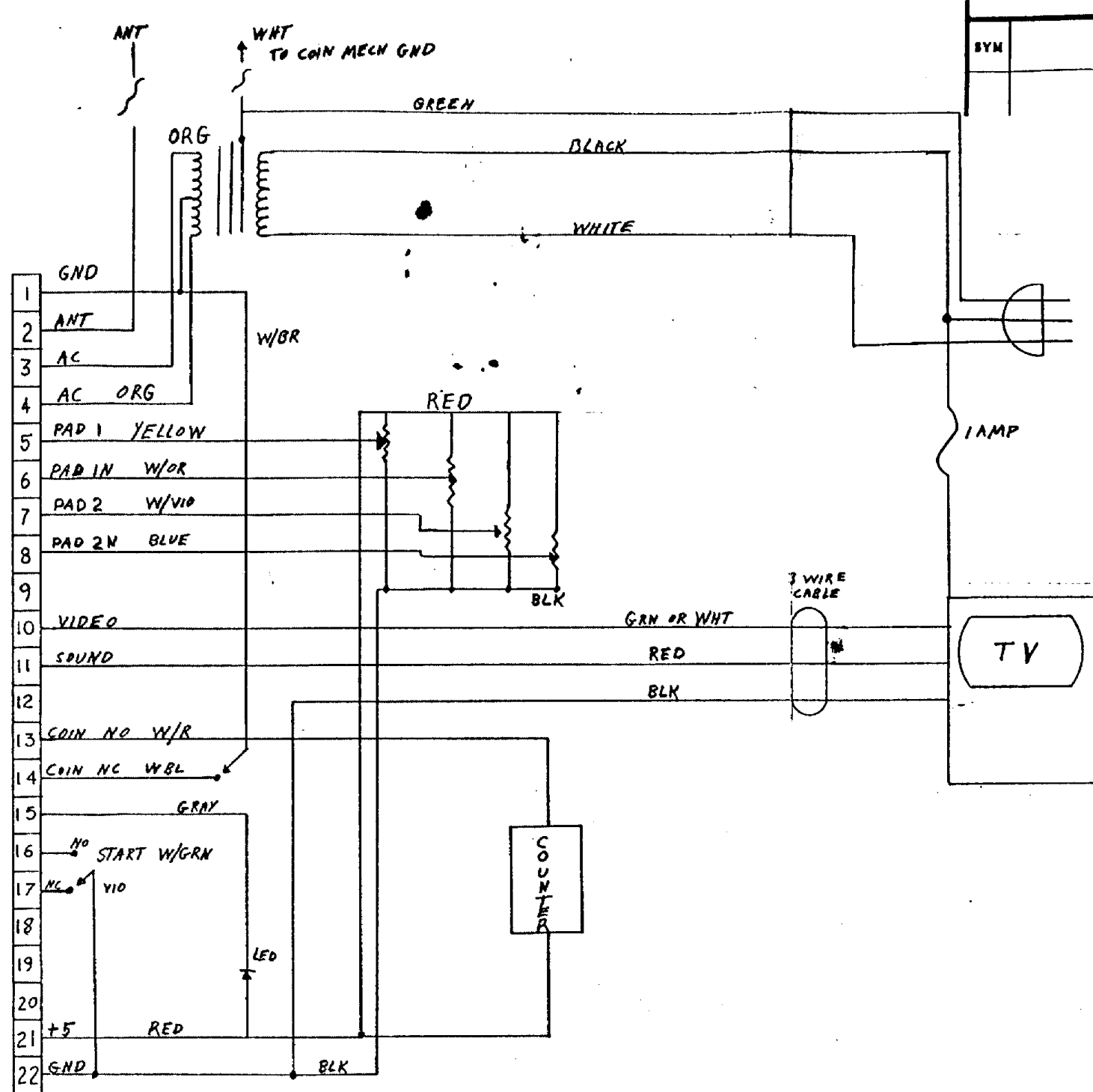


ATARI INC 14600 WINCHESTER BLVD
LOS GATOS, CA., 95030
REV F
408-374-2440

SCHMATIC PONG DOUBLES

DRN: PCD 10-1773 APP: [Signature]
SH 1 OF 1 [Signature]



SYM	DESCRIPTION	REVISIONS		
		DRFTG	CHECK	ENGRG

D

C

B

DRAWING NO.

SHEET

REV

A

INTERPRET THIS DRAWING PER USAS 714.5 UNLESS OTHERWISE SPECIFIED DIMENSIONS ARE IN INCHES TOLERANCES ON: FRACTIONS = ±1/16 .x = ±.1 ANGLES = ±1° .xx = ±.03 SURFACE FINISH ✓.xxx = ±.010	DRAWN BY M. JONES	DATE 10-14-71	ATARI INCORPORATED 14600 Winchester Boulevard Los Gatos, California 95030
	CHECKED	DESIGN ENGINEER	
	PROJECT ENGINEER	DOCUMENT CONTROL 777	
	APPROVED	TITLE PONG DBL'S HARNESS	
MATERIAL:	SIZE C	DRAWING NO. 000783	REV D
NEXT ASSY	USED ON	SCALE H	SHEET 1 OF 1

APPLICATION	USED ON

4

3

2

1