

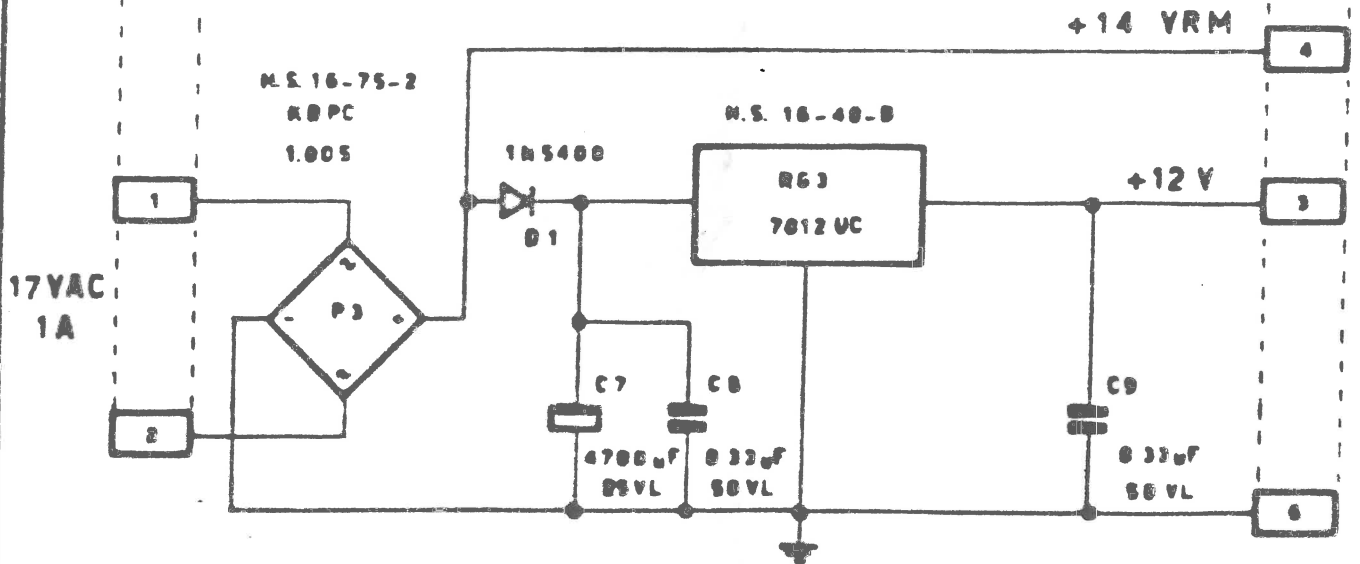
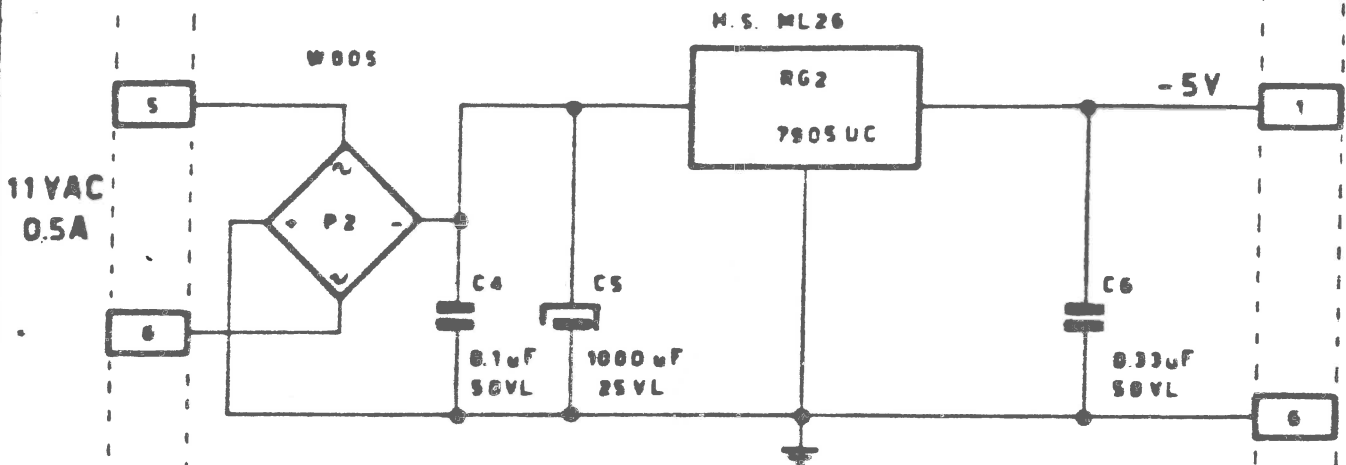
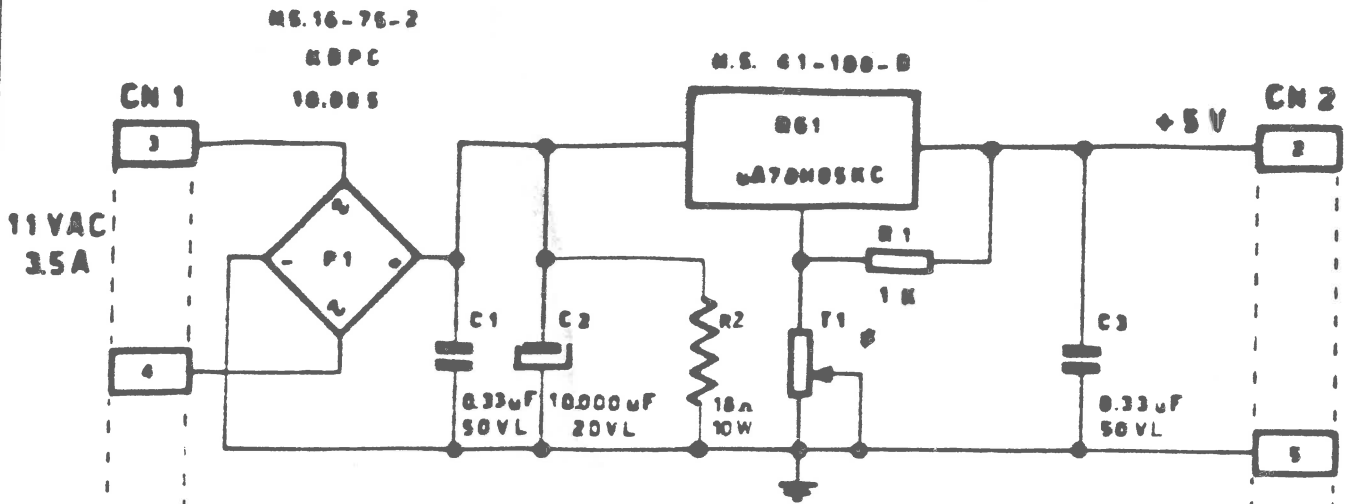
technical manual for

MOON

CREST

ZACCARIA

• 47 μ TRIMMER OR 22 μ V4 5% RESISTOR



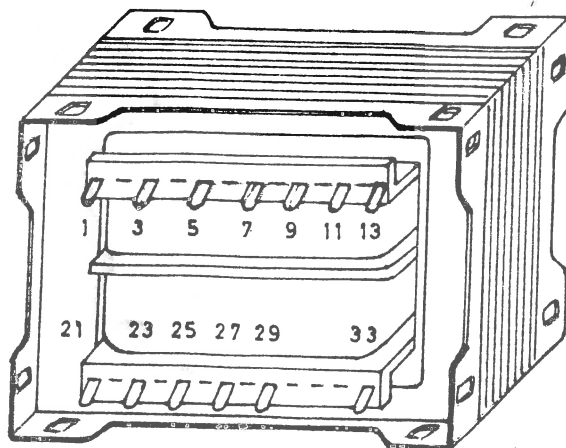
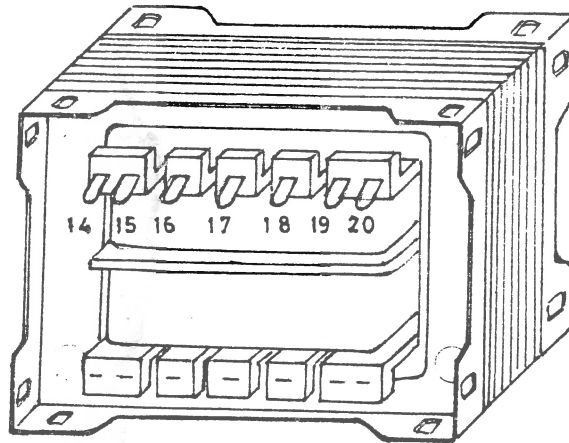
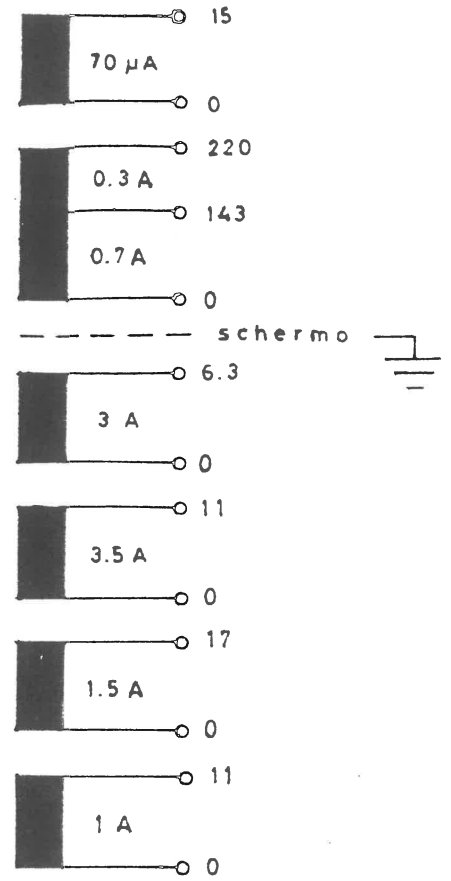
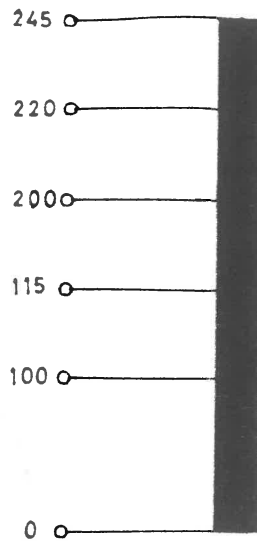
ZACCARIA

CEC-043

ELECTRICAL DIAGRAM FOR
POWER SUPPLY (1B1126)

TRASFORMATORE 2C 1005 C

Tensioni	Lung. fili o pos. cap.
0	33
100	29
115	27
200	25
220	23
245	21
0	13
15	11
0	9
143	7
220	5
schermo	20
0	3
6,3	1
0	18
11 (3.5A)	19
0	16
17	17
0	15
11 (1A)	14



SWITCHES ADJUSTMENT

1	NOT USED	
2	OFF JAPAN WRITE	ON ENGLISH WRITE
3	NOT USED	
4	NOT USED	
5	OFF	ON
6	OFF	ON
	1 COIN	FREE
	1 PLAY	GAME

COIN SWITCH ADJUSTMENT

COIN MECHANISM 1

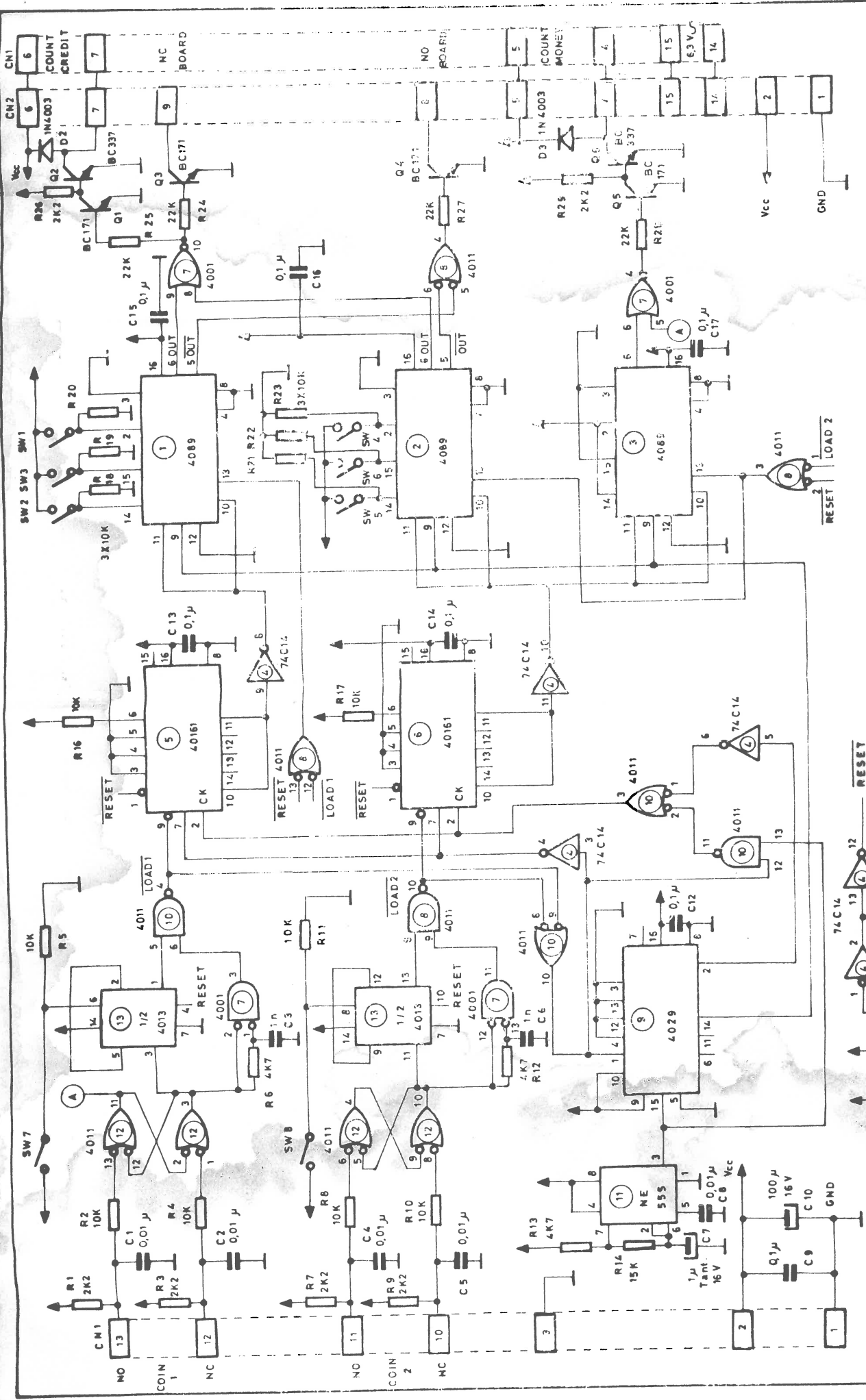
1	2	3	4	
OFF	ON	OFF	OFF	2 COINS - 1 PLAY
OFF	ON	OFF	ON	1 COIN - 1 PLAY
OFF	OFF	ON	ON	1 COIN - 2 PLAYS
OFF	ON	ON	ON	1 COIN - 3 PLAYS
ON	OFF	OFF	ON	1 COIN - 4 PLAYS
ON	ON	OFF	ON	1 COIN - 5 PLAYS
ON	OFF	ON	ON	1 COIN - 6 PLAYS
ON	ON	ON	ON	1 COIN - 7 PLAYS

COIN MECHANISM 2

4	5	6	7	
OFF	ON	OFF	OFF	2 COINS - 1 PLAY
OFF	ON	OFF	ON	1 COIN - 1 PLAY
OFF	OFF	ON	ON	1 COIN - 2 PLAYS
OFF	ON	ON	ON	1 COIN - 3 PLAYS
ON	OFF	OFF	ON	1 COIN - 4 PLAYS
ON	ON	OFF	ON	1 COIN - 5 PLAYS
ON	OFF	ON	ON	1 COIN - 6 PLAYS
ON	ON	ON	ON	1 COIN - 7 PLAYS

ATTENTION :

Do not use other possible combinations.



ZACCARIA

ELECTRICAL DIAGRAM
FOR COIN SWITCHES
ADJUSTMENT BOARD 18 1145

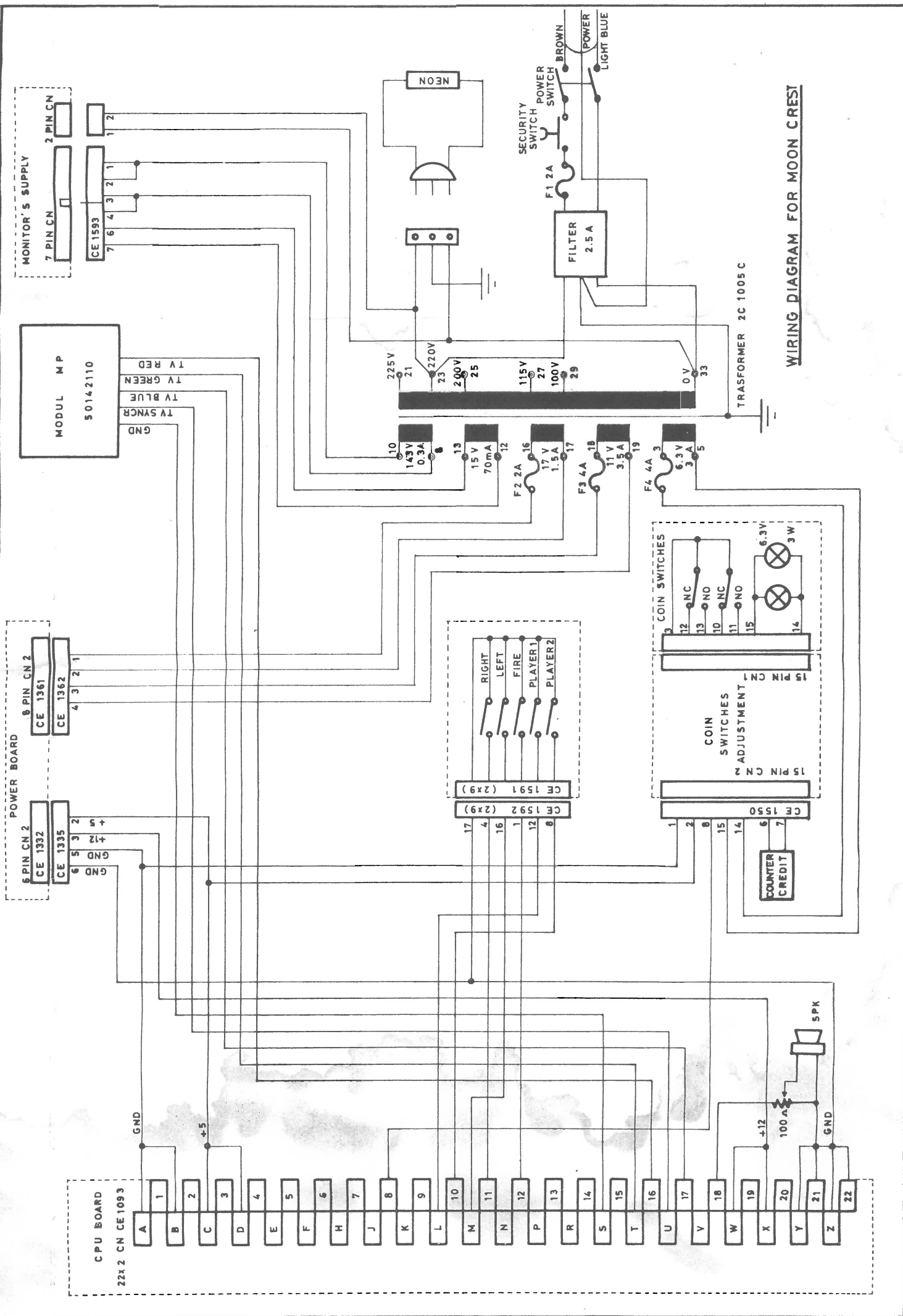
COD.
18 1345

RESET

RESET

RESET

RESET



WIRING DIAGRAM FOR MOON CREST