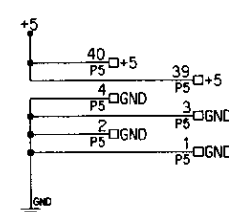
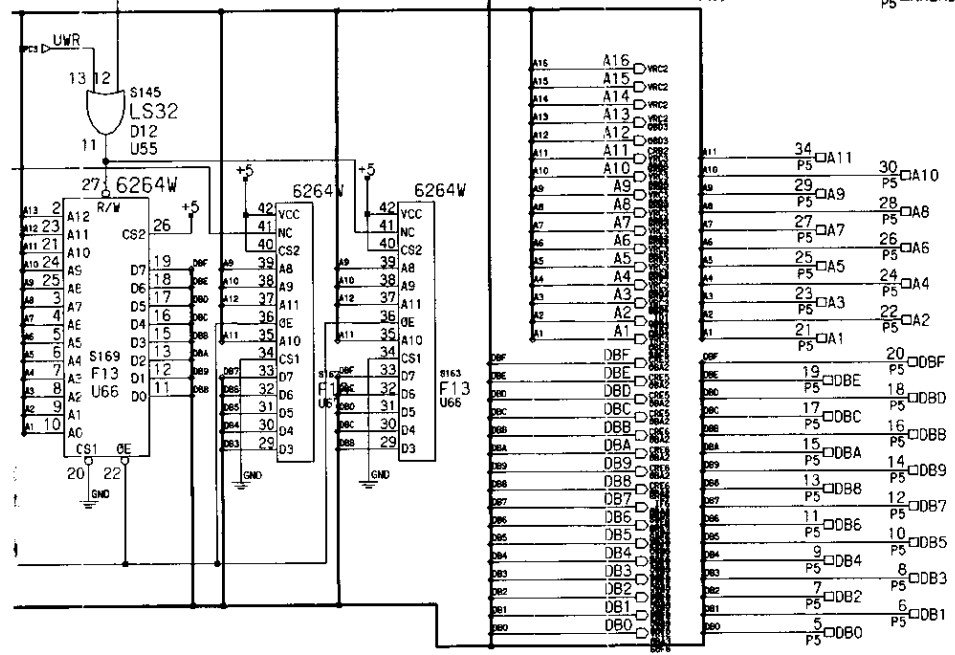


88 P5 8540-4500SC
89



RESET 36
112 BWCS 35
OP3 UWR P5
OP3 LWR 32
OP3 NREAD P5

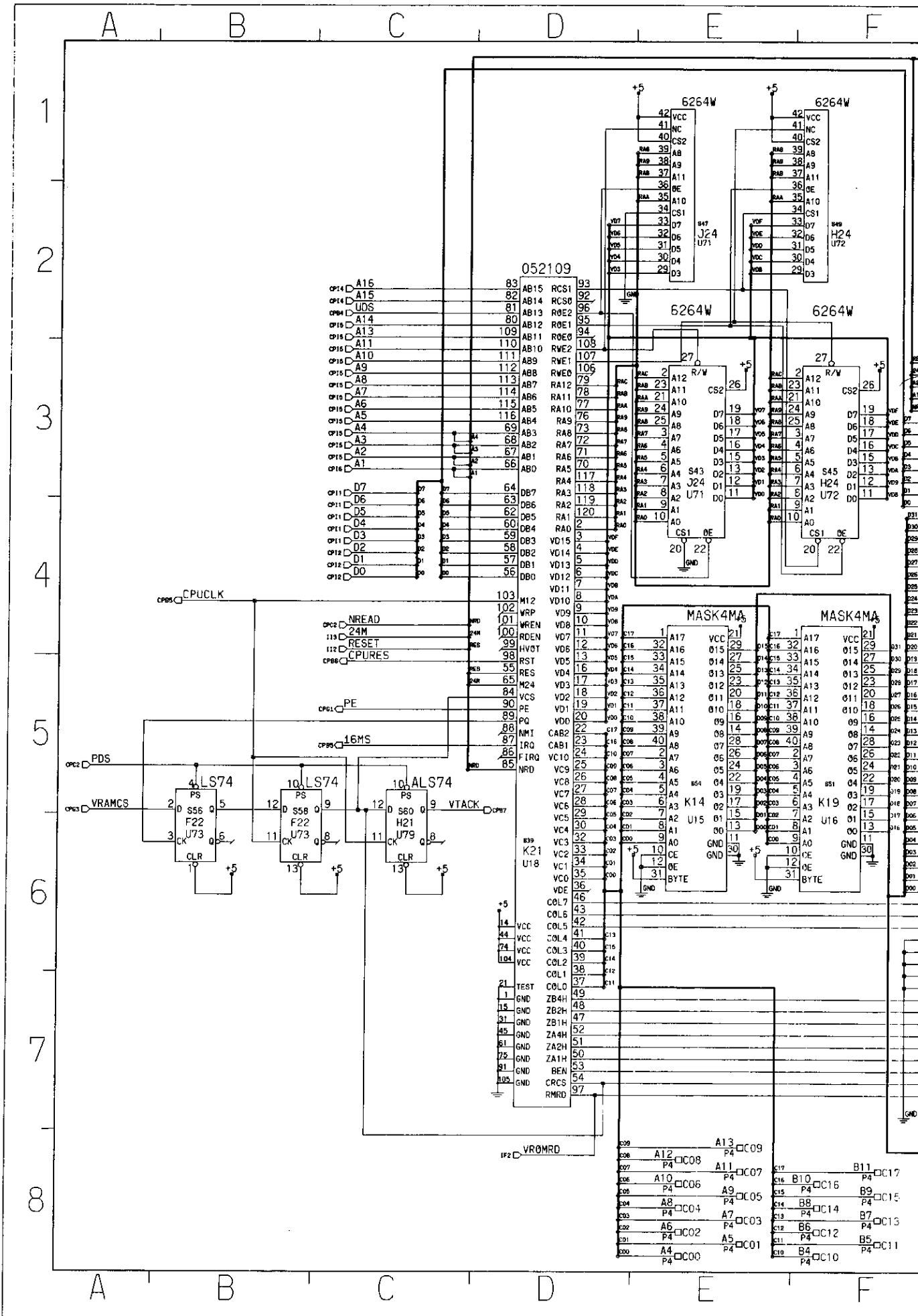


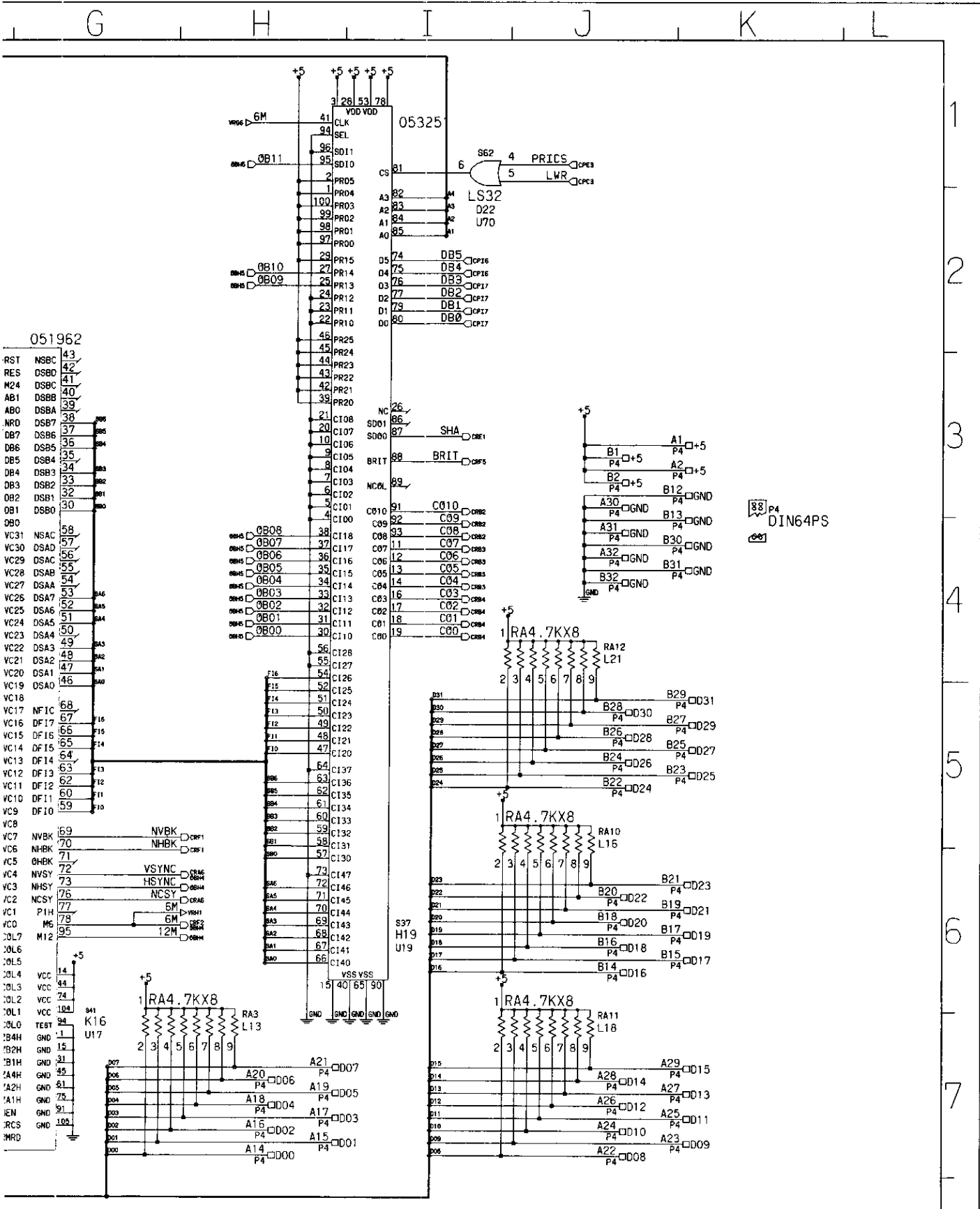
111 34
A10 P5
A9 P5
A8 P5
A7 P5
A6 P5
A5 P5
A4 P5
A3 P5
A2 P5
A1 P5
DBF
DBE
DBD
DBC
DBB
DBA
DB9
DB8
DB7
DB6
DB5
DB4
DB3
DB2
DB1
DB0

NOTES

- KINDS OF CAPACITOR
E: ELECTROLYTIC
M: MYLAR
T: TANTALUM
C: CERAMIC
- KINDS OF CONNECTOR
JAMMA □ JAMMA 56PIN EDGE
NUMBER: PARTS SIDE
ALFABET: SOLDER SIDE
(/A/ IS SMALL LETTER)
P1 □ CN1 (VSYNC)
2P □ D1N64P (D/A)
3P □ D1N64P (OBJ)
4P □ D1N64P (VRAM)
P6 □ NHCN4P (STEREO)

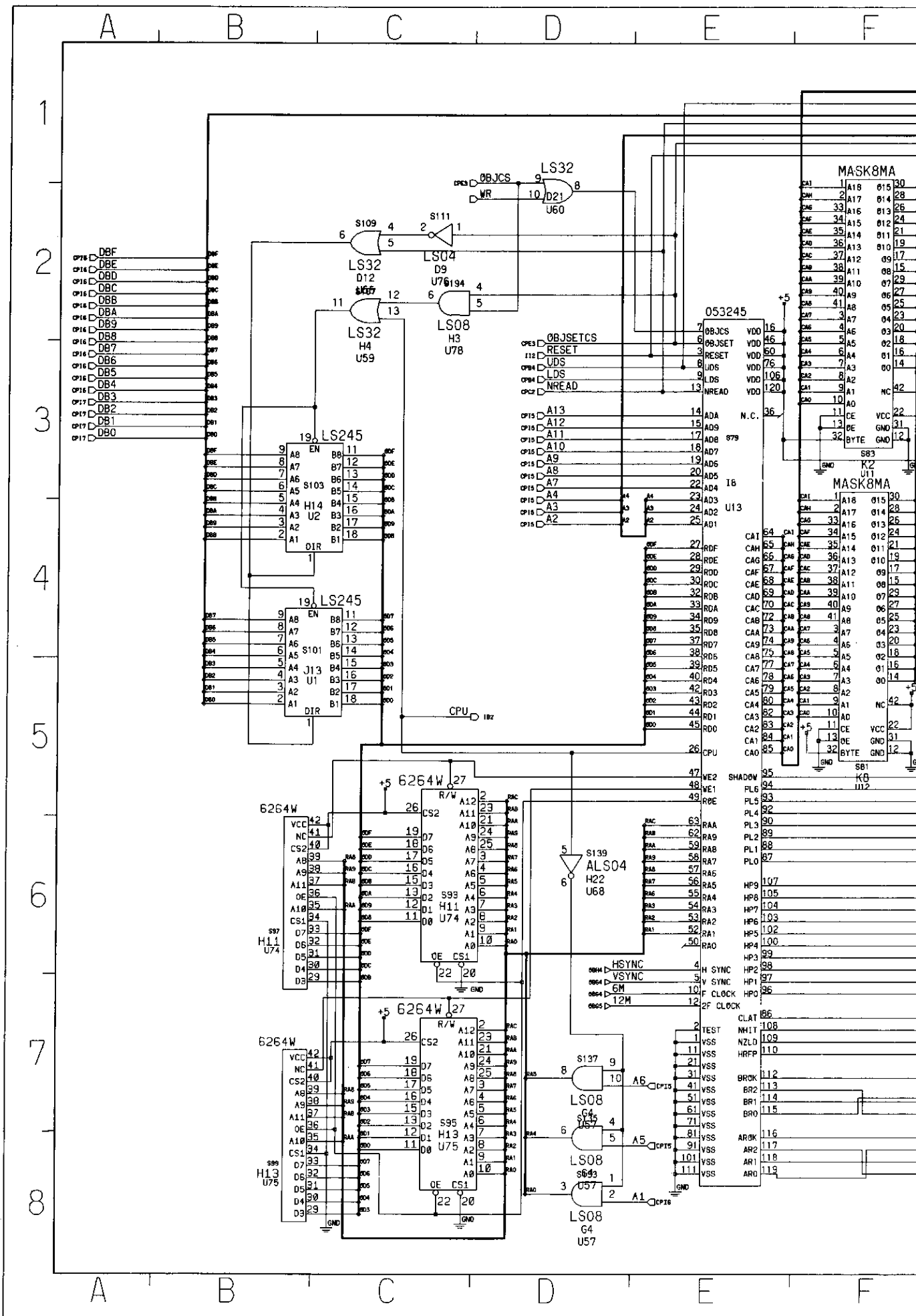
				KONAMI INDUSTRY CO., LTD.		REG. TYPE	CPU SCHEMATIC DIAGRAM
DESIGN	DRAW	CHECK	APPROVE	RELEASE DATE	89. 10. 30	NAME	GX939 PWB351905A
				SCALE	TOLE-RANCE	CODE NO.	351925 1/6

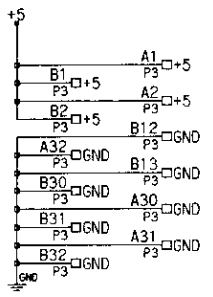
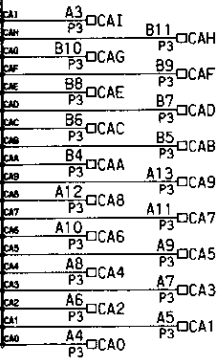
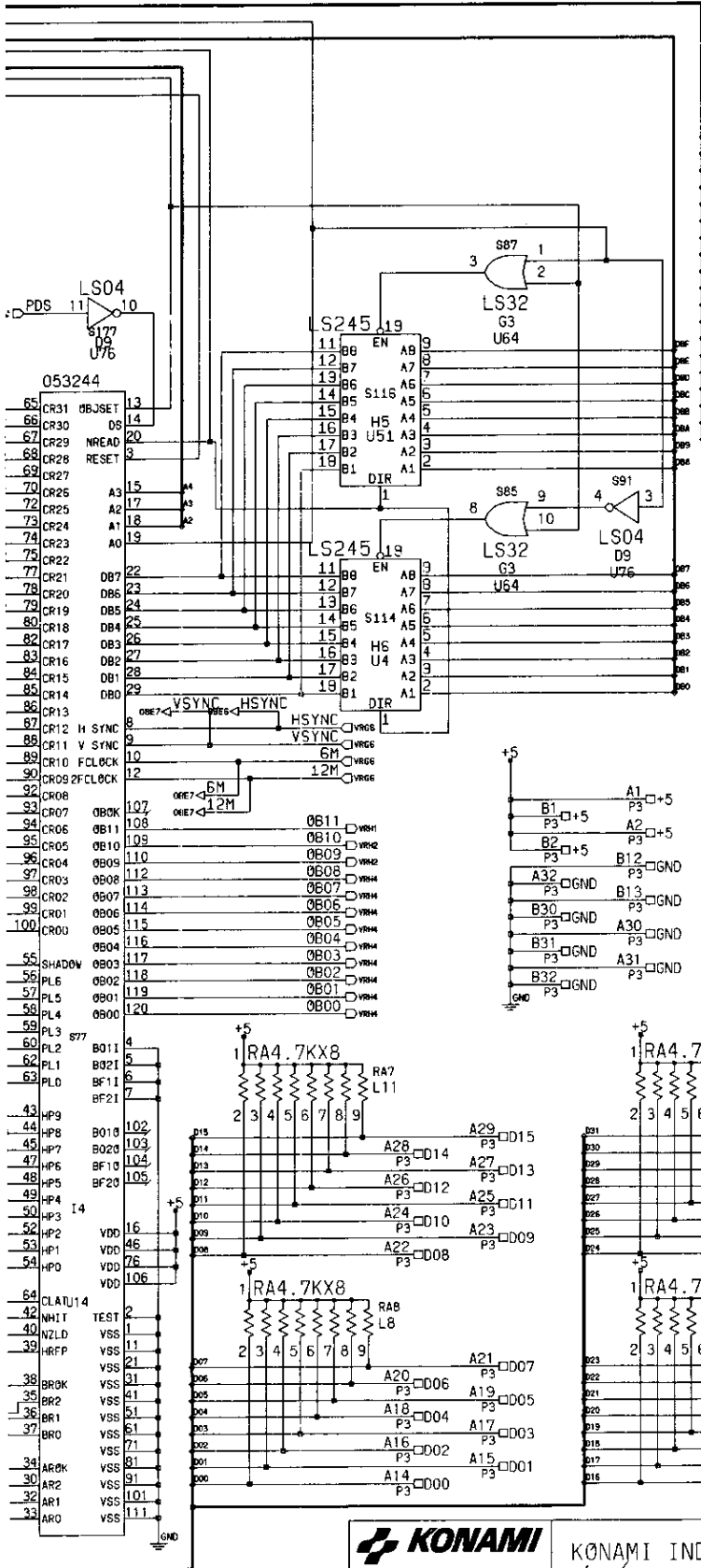




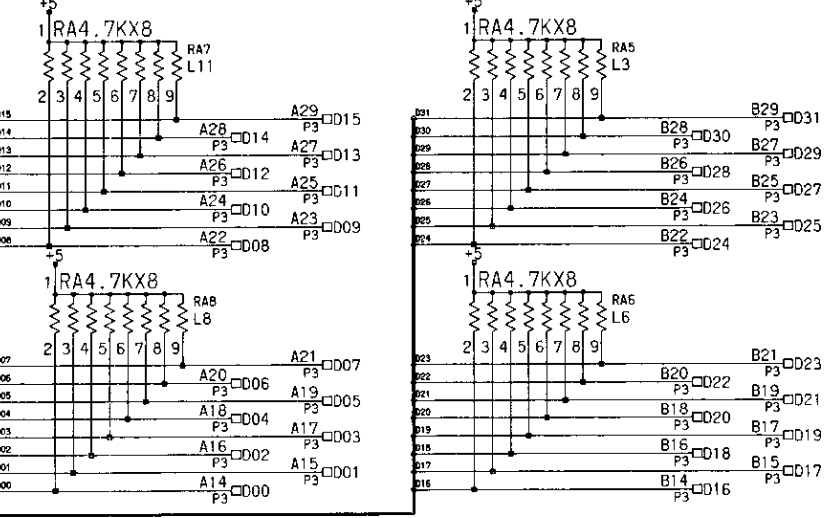
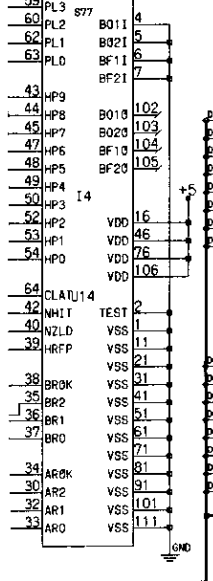
				KONAMI INDUSTRY CO.,LTD.		REG. TYPE	VRAM
						SCHEMATIC DIAGRAM	
DESIGN	DRAW	CHECK	APPROVE	RELEASE DATE	89. 10. 30	NAME	GX939 PWB351905A
			SCALE	TOLE-RANCE		CODE NO.	351925 2/6

1
2
3
4
5
6
7
8

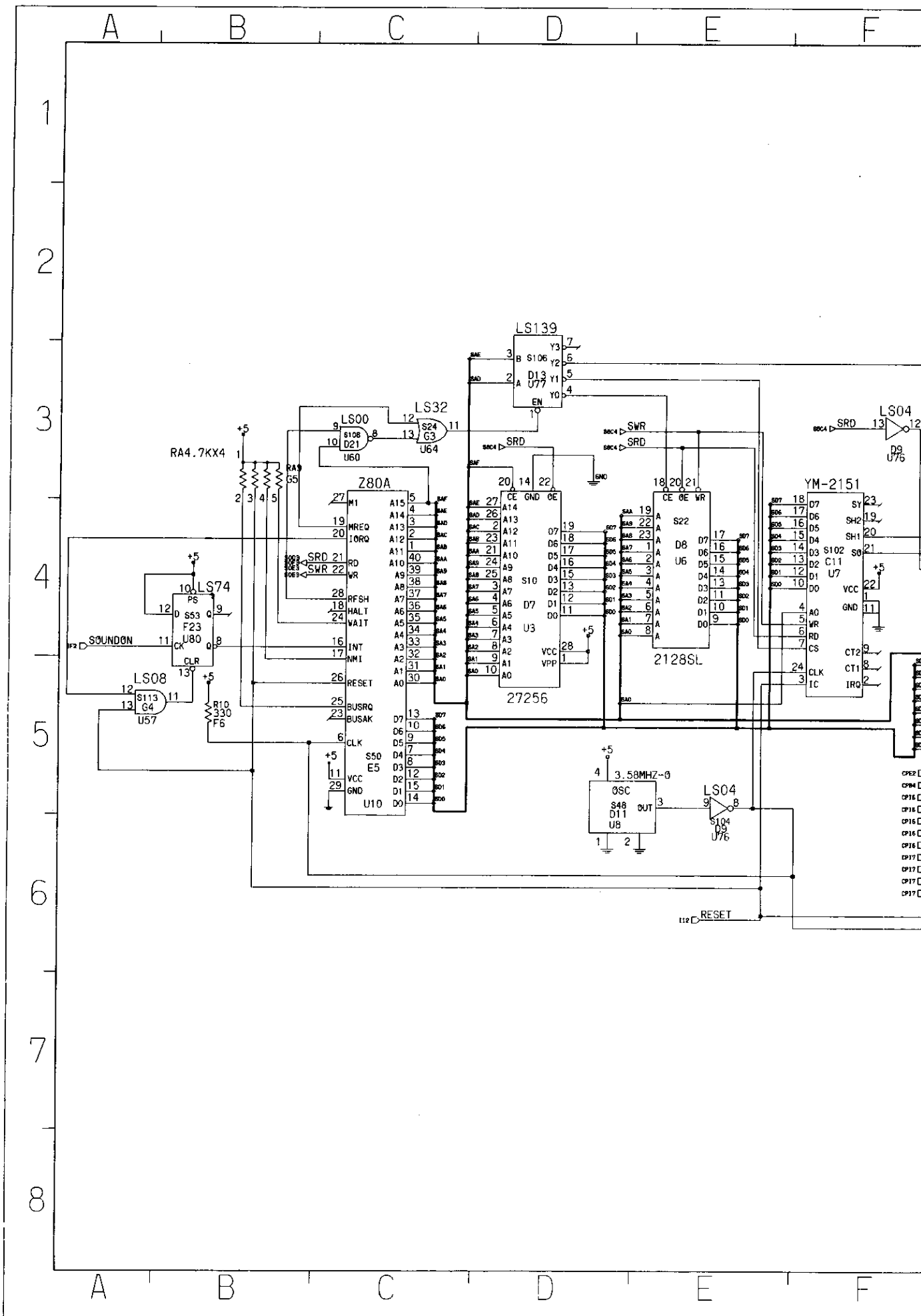


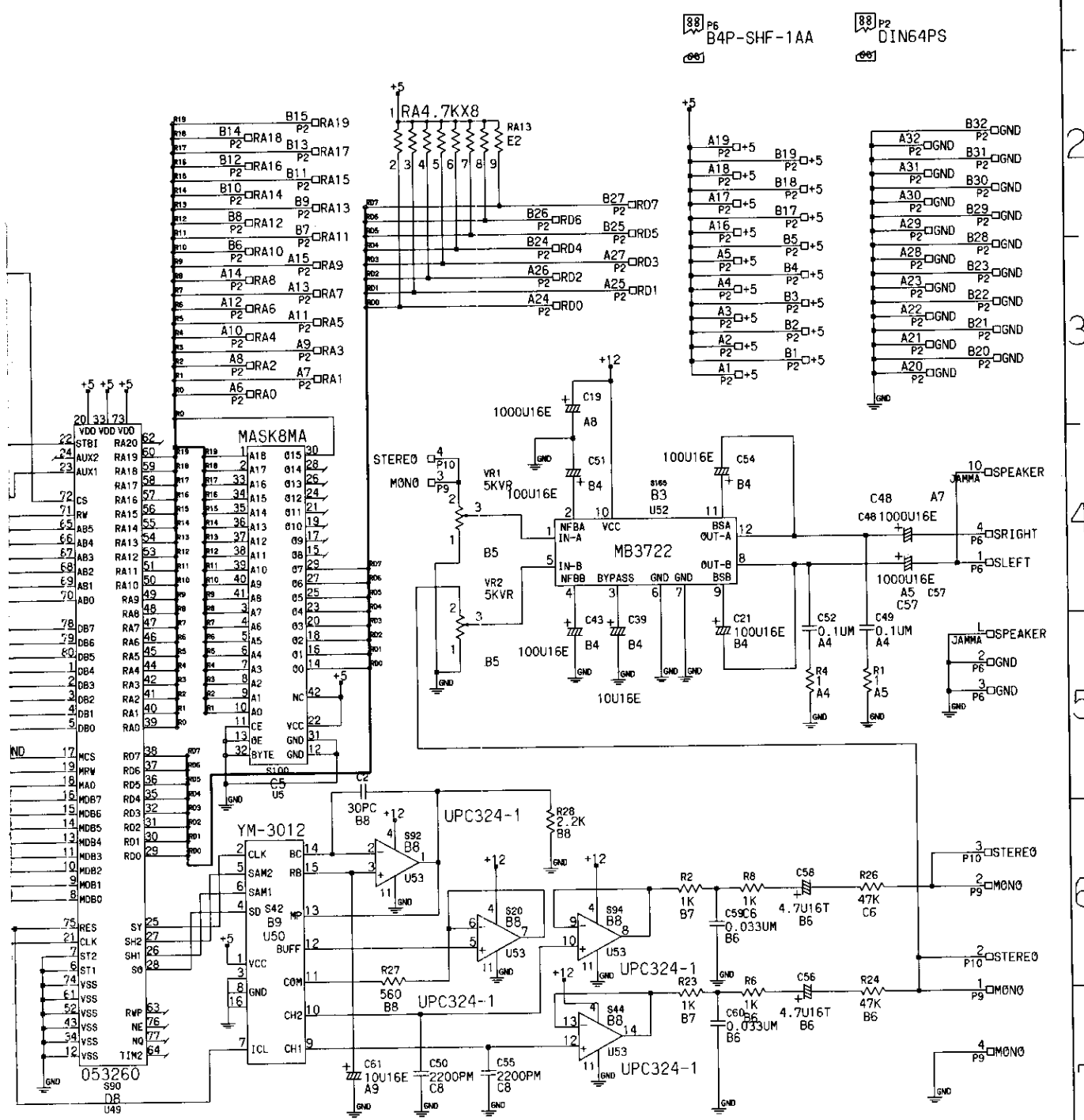


88 P3 DING6PS



KONAMI				KONAMI INDUSTRY CO., LTD.		REG. TYPE	OBJ
DESIGN	DRAW	CHECK	APPROVE	RELEASE DATE	89.10.30	NAME	GX939 PWB351905A
				SCALE	TOLE-RANCE	CODE NO.	351925 3/6





88 P2 B4P-SHF-1AA
88 P2 DIN64PS

KONAMI				KONAMI INDUSTRY CO., LTD.		REG. TYPE	SOUND SCHEMATIC DIAGRAM	
DESIGN	DRAW	CHECK	APPROVE	RELEASE DATE	89.10.30	NAME	GX939 PWB351905A	
				SCALE		TOLERANCE	CODE NO.	351925 6/6