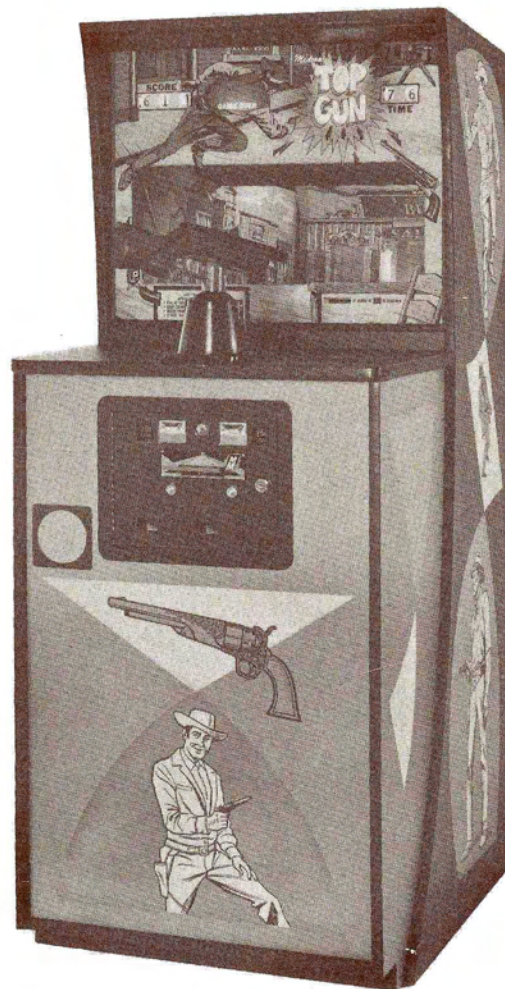


Midway's

GAME NO. 603
MARCH, 1976

TOP GUN PARTS CATALOG



MIDWAY MFG. CO.
A BALLY COMPANY

10750 WEST GRAND AVENUE
FRANKLIN PARK, ILLINOIS, 60131, U. S. A.

PHONE: (312) 451-1360

CABLE ADDRESS: MIDCO

TELEX NO.: 72-1596

TABLE OF CONTENTS

	Page No.
GENERAL INSTRUCTIONS	1
HOLOGRAM SERVICE INSTRUCTIONS	2
LUBRICATION, SWITCH CONTACTS, HOLOGRAM CLEANING	3
HOLOGRAM DRIVE ASSEMBLY	4—5
RIFLE & STYLUS ASSEMBLY	6—7
LAMP SHADE ASSEMBLY	8—9
BAR ROOM DOOR ASSEMBLY	10—11
10-90 TIME & 100 SCORE COUNTER ASSEMBLIES	12—13
1-9 TIME & 10-90 SCORE COUNTER ASSEMBLIES	14—15
ADDITIONAL PARTS LIST	16—19

GENERAL INSTRUCTIONS FOR "TOP GUN"

1. INSTALLATION:

Remove gun assembly from shipping carton and attach to trigger housing with two provided bolts. Attach four provided cabinet levelers to bottom of cabinet. The power is controlled by a switch located on top of the cabinet. Plug into A.C. only, 60 cycles, 115 volts.

2. VOLTAGE CONTROL:

In low line areas (100 volts or less), an additional boost in the output voltage of the transformer may be obtained by removing the wire from the 115 volt position of the transformer and rewiring to the 100 volt position.

3. COIN CONTROL:

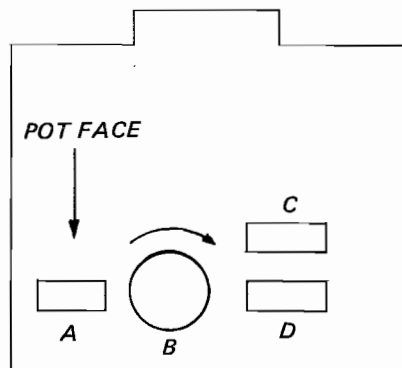
Located on mech panel in back box area and may be set at one coin per play, two coins per play, or two plays per coin by jacking P.C. as indicated on instruction tag on P.C.

4. GAME TIME CONTROL POT:

Located on Program Timer & Discrete Board, (P.C. 0603-00918-8000) Game time may be increased by rotating pot counter-clockwise as pot is viewed from face.

5. SOUND AMPLIFIER VOLUME CONTROLS:

Located on Sound Amplifier Board, (P.C. 0603-00919-8000). To increase volumes rotate pots as indicated below. Clockwise is identified as viewed from pot faces.



- A. Hit Sound Volume Control:
To increase Hit sound volume, rotate pot clockwise.
- B. Master Volume Control:
To increase all sounds, rotate pot clockwise.
- C. Cowboy Shot Volume Control:
To increase Cowboy Shot Volume, rotate pot clockwise.
- D. Player Shot Volume Control:
To increase Player Shot Volume, rotate pot clockwise.

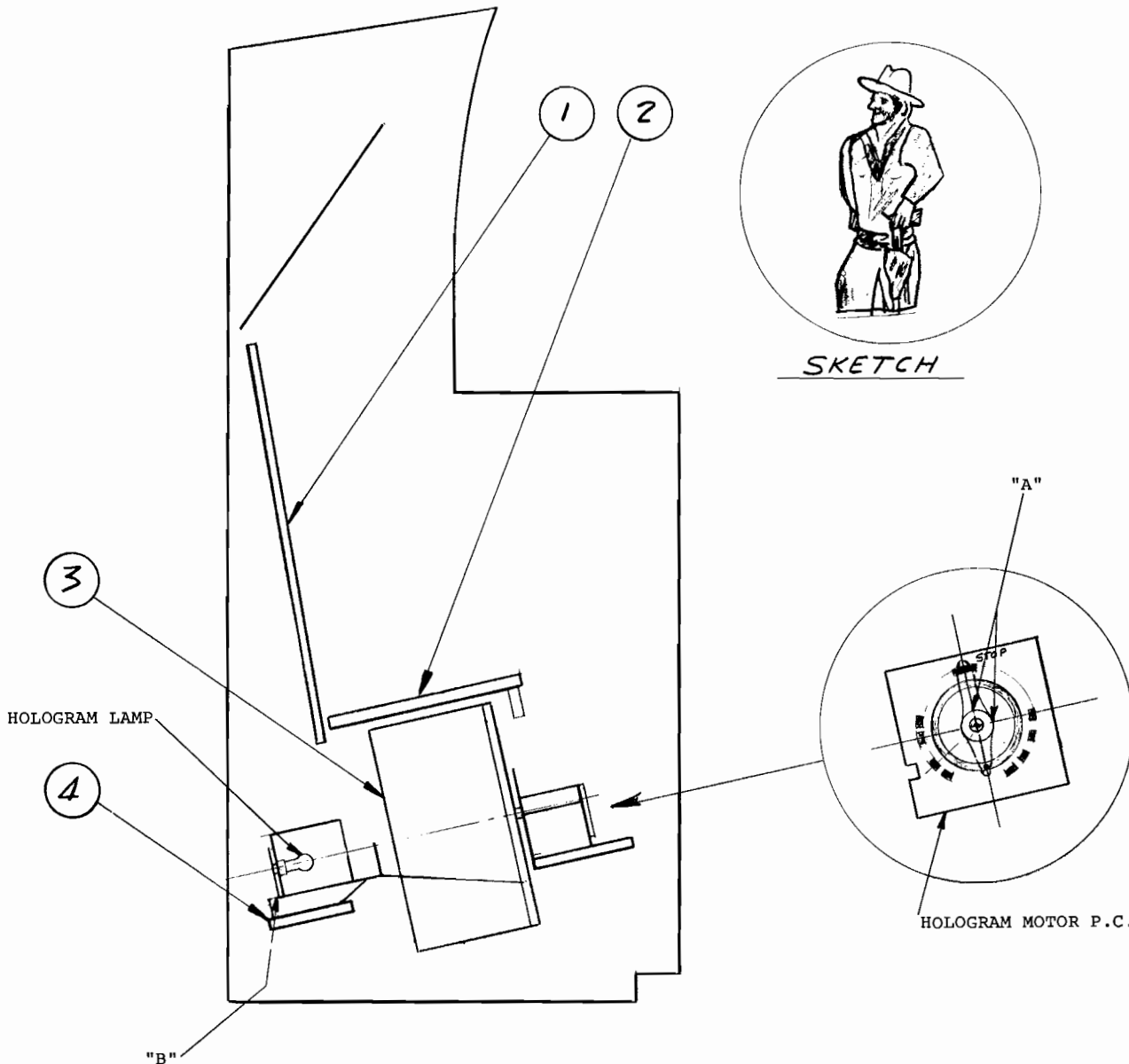
6. HOLOGRAM DRUM AND MOTOR ADJUSTMENT:

See separate enclosed instruction sheet.

WARNING

THIS GAME MUST BE GROUNDED. FAILURE TO DO SO MAY RESULT IN DESTRUCTION TO ELECTRONIC COMPONENTS.

TOP GUN HOLOGRAM SERVICE INSTRUCTIONS



ASSEMBLY & ADJUSTING PROCEDURE

1. All Assembly is from the rear of the cabinet following is a sequence of assembly of the four (4) module type sub-assemblies which must be followed.
 - A. Insert #2, 3, 4, & #1 in this order. Disassemble in reverse order.
 - B. Fasten with (2) ¼ - 20 bolts for each module.
2. If it becomes necessary to replace hologram film which is part of Item #3, first remove module from cabinet. Remove film from pan by removing (3) machine screws located on side of pan. It may be necessary to adjust film after assembly. Follow these instructions:
 - A. Set the hologram to the position at which the cowboy has the pistol in his holster viewing from the gun mount by turning the hologram by hand (See sketch).
 - B. Loosen (2) set screws ("A") of the wiper finger contact. Set contact point to the stop segment of hologram motor p.c. Tighten screws.
3. Replacement of hologram lamp
 Lamp can be replaced by removing rear door. Simply unscrew from socket & replace. To adjust lamp for maximum reflection, loosen (2) wing nuts ("B") & slide to position at which the cowboy image can be observed most clearly.

LUBRICATION

Over-lubrication causes far more trouble in coin-operated equipment than under-lubrication. Practically all cases of poor contact on switches and wiper discs are due to oil or grease, or oil vapor which forms a film or residue on the contacts and will not allow current to pass through. Excess lubricant may also seep into the clutches, causing them to slip.

IMPORTANT: NEVER USE VASELINE FOR LUBRICATION OF ANY PART OF THE MACHINE. Vaseline is not a true lubricant. It leaves a dirty and gummy residue and it becomes very thick when cold. A special Coin Machine Lubricant is supplied with each machine.

Step-up levers, Ratchets, Cams, Shafts and other sliding or oscillating parts should be very lightly greased with special Coin Machine Lubricant (supplied with machine) not oftener than every six months. The bakelite discs on the Motor Units and Step-up Units will require lubrication with the special Coin Machine Lubricant only after the grease is completely evaporated (3-12 months, depending on climate) or when the film of grease becomes dirty. In either event, clean the parts thoroughly with a solvent and a clean soft cloth, then apply an extremely thin coat of the special grease with a fine camel's hair brush.

Solenoid Plungers should not have a lubricant of any kind. Should there be a sluggish tendency or if plungers are sticking, the parts should be cleaned with a solvent and flaked graphite applied on reassembly.

SWITCH CONTACTS

The contact points, as used on the switches, are generally made of silver which has a high conductivity of electrical current. In some cases, various alloys of silver are used such as a combination of 85% silver, 15% cadmium, 83% silver, 17% cadmium oxide. Certain alloys are used for specific requirements such as high current, low resistance, etc. If point replacement is necessary be sure to replace with the proper equivalent.

Whenever a replacement point is set, it is important that the underside of the point is peened carefully so that it is seated evenly and tightly. This increases the current carrying capacity to its maximum efficiency. A loose point will cause arcing and burning of the blade, eventually the point will fall out. When the contact area of the point becomes dirty, or pitted, a burnishing tool should be used. Filing of the points is not recommended, as the grooves, caused by the file, tend to increase the arcing resulting in a premature short life.

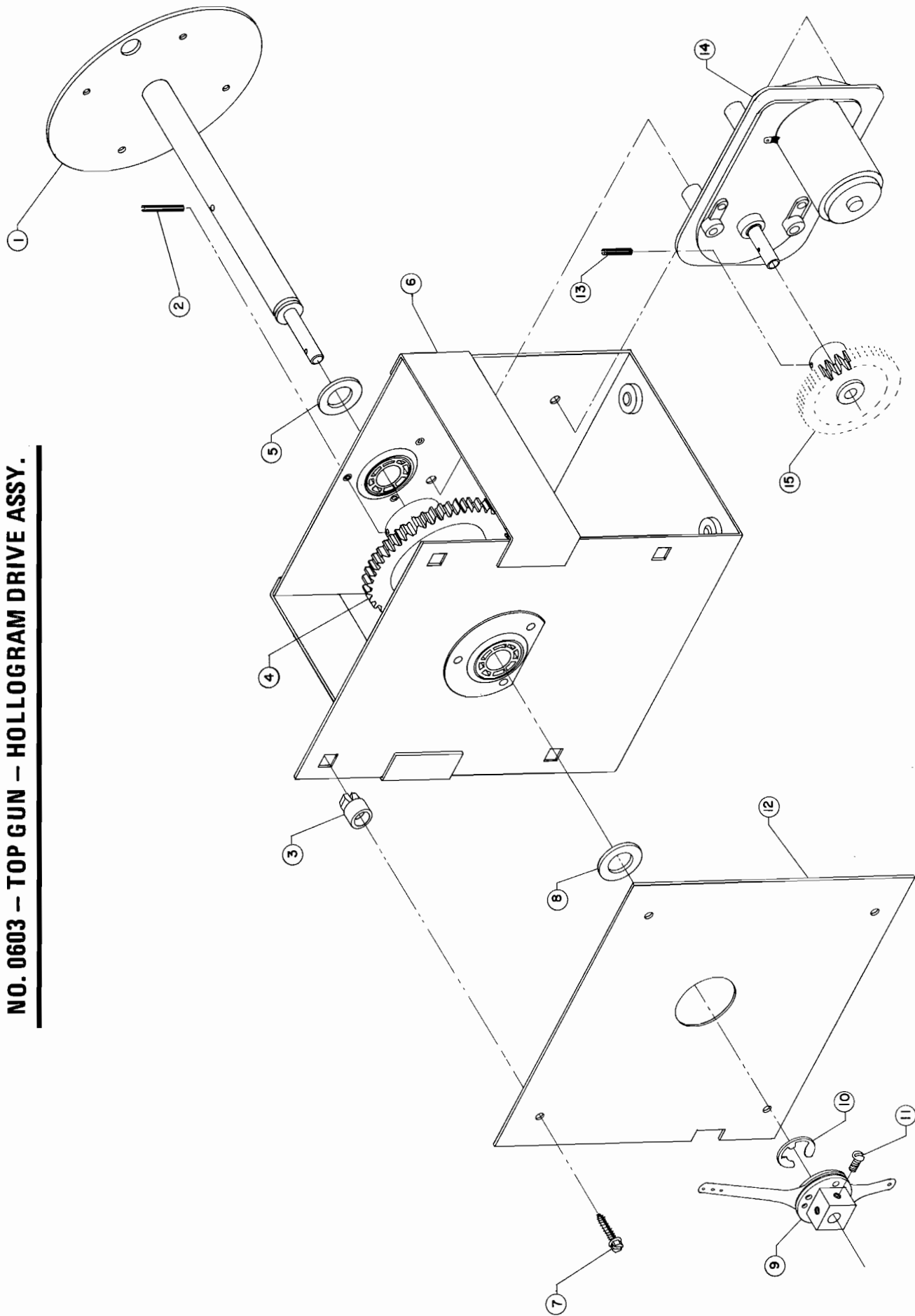
C A U T I O N

HOLOGRAM CLEANING:

HOLOGRAM MUST BE HANDLED WITH CARE. IF CLEANING IS NECESSARY, USE ISOPROPHYL ALCOHOL SOAKED IN PAPER TOWEL OR SOFT RAG. EXCESSIVE RUBBING OF RAG MUST BE AVOIDED. EMULSION SIDE OF HOLOGRAM FILM IS ON THE INSIDE OF DRUM. AVOID RUBBING THIS SURFACE IF POSSIBLE.

NOTE: HOLOGRAM WILL ONLY OPERATE WITH A 100 WATT, CLEAR BULB. 110 VOLT

NO. 0603 -- TOP GUN -- HOLLOGRAM DRIVE ASSY.



PRICE LIST*ORDER BY PART NUMBER ONLY*

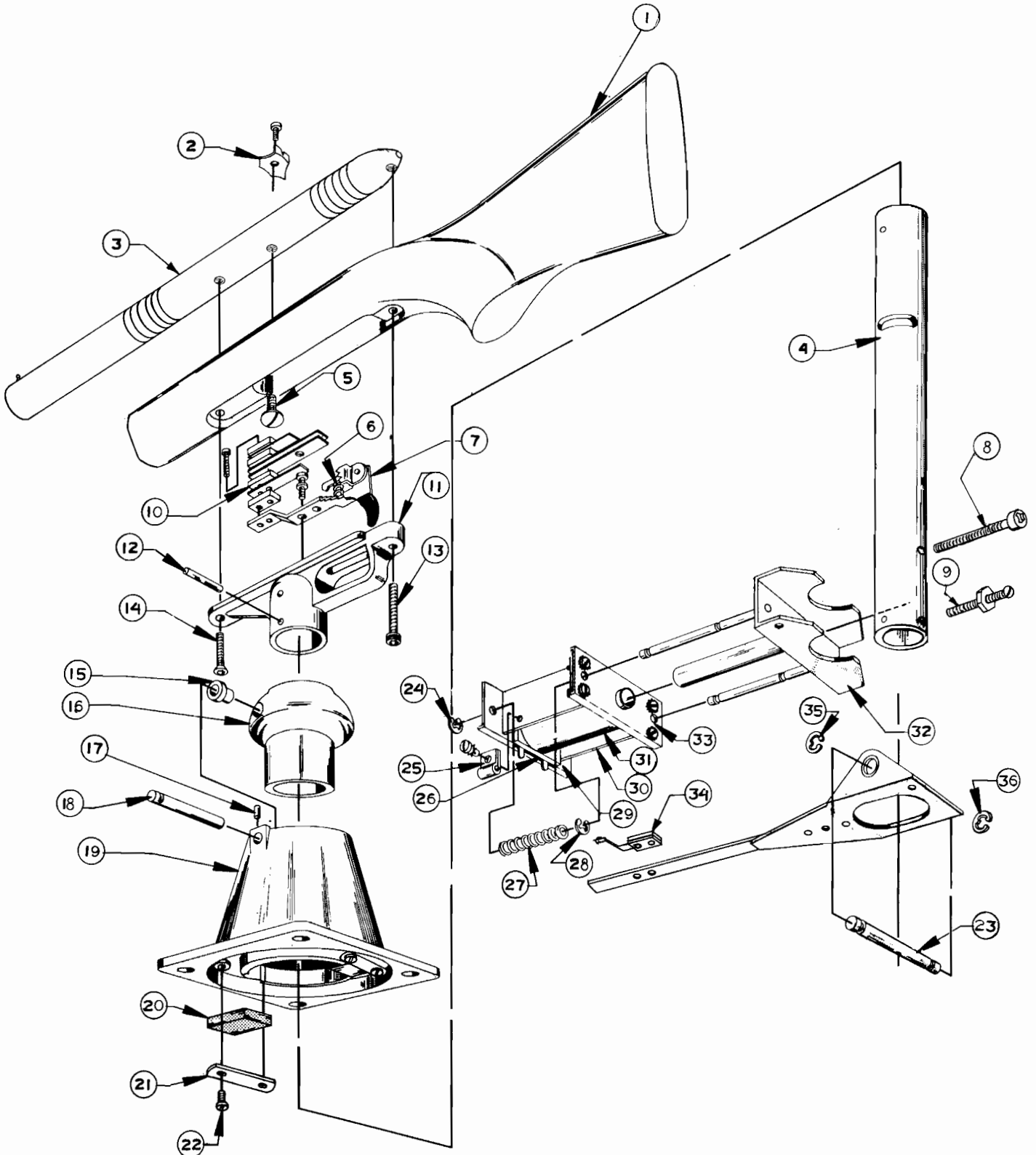
ITEM	PART NO	DESCRIPTION	PRICE
1	0603-00023	DRIVE SHAFT ASSY.	2.50 EA.
2	0017-00007-0077	ROLL PIN – 1/8" x 3/4"	.20 EA.
3	0017-00042-0072	PLASTIC STANDOFF	.20 EA.
4	0017-00042-0076	DRIVE GEAR 32 – 72	1.10 EA.
5	0017-00104-0047	WASHER – 1/2" I.D. x 7/8" O.D. 1/16" THK.	.20 EA.
6	0603-00011	MOTOR MTG. BRKT. ASSY.	6.80 EA.
7	0017-00101-0018	#6 x 3/4 HEX HD. S.M.S.	.20 EA.
8	0017-00104-0047	WASHER – 1/2" I.D. x 7/8" O.D. 1/16" THK.	.20 EA.
9	0603-00039	WIPER FINGER ASSY.	4.10 EA.
10	0017-00100-0050	E – RING 1/2"	.20 EA.
11	0017-00101-0308	#8 – 32 x 3/16 SOC. SET SCR.	.20 EA.
12	0603-00908	P.C. BOARD	6.20 EA.
13	0017-00007-0075	ROLL PIN – 1/8" x 5/8"	.20 EA.
14	0040-00615	MOTOR	23.50 EA.
15	0017-00042-0118	GEAR 32 – 36	1.10 EA.
	0603-00024	DRUM DRIVE ASSY. COMPLETE	54.30 EA.
	0603-00012	HOLLOWGRAM DRUM ASSY. COMPLETE	592.50 EA.

MIDWAY MFG. CO.

PRICES SUBJECT TO CHANGE WITHOUT NOTICE

PAGE 5

NO. 0603 – TOP GUN – RIFLE & STYLUS ASSY.



MIDWAY MFG. CO.

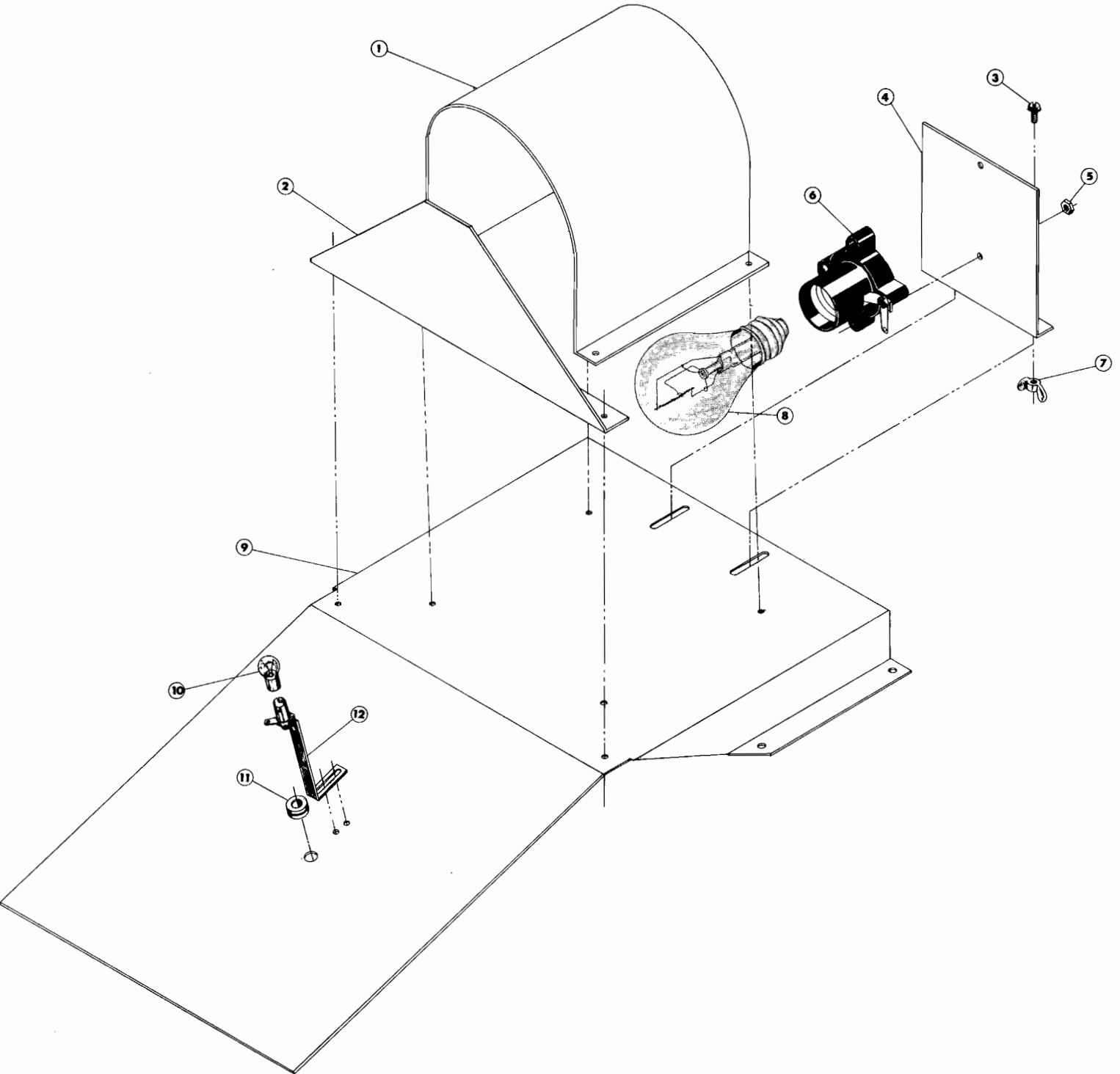
PRICE LIST
ORDER BY PART NUMBER ONLY

ITEM	PART NO	DESCRIPTION	PRICE
1	0603-00500	WOOD GUN STOCK	42.00 EA.
2	0518-00138	REAR GUN SIGHT	.50 EA.
3	0603-00700	BARREL	10.90 EA.
4	0518-00706	GUN SUPPORT TUBE	19.60 EA.
5	0017-00102-0003	1/4 – 20 x 1/2 (TRUSS HEAD SCREW)	.20 EA.
6	0010-00176-0200	SPRING	.20 EA.
7	0542-00010	TRIGGER ASSY.	2.60 EA.
8	0017-00102-0022	SOCKET HEAD CAP SCREW	.40 EA.
9	0017-00101-0577	6 – 32 x 3/4 PAN HEAD EXT. SEM M.S.	.20 EA.
10	0603-00040	TRIGGER SWITCH	1.20 EA.
11	0538-00908	TRIGGER HOUSING	3.70 EA.
12	0017-00007-0097	ROLL PIN	.20 EA.
13	0017-00102-0022	SOCKET HEAD CAP SCREW	.30 EA.
14	0017-00102-0023	1/4 – 20 x 1 3/4 FLAT HEAD SCREW	.40 EA.
15	0518-00700	THRUST BUSHING	1.20 EA.
16	0518-00901	PIVOT HOUSING	14.10 EA.
17	0017-00007-0073	ROLL PIN	.20 EA.
18	0518-00701	PIVOT SHAFT	.50 EA.
19	0518-00902	GUN MOUNT	23.50 EA.
20	0518-00918	RUBBER STOP	1.50 EA.
21	0518-00182	RETAINER STOP	.40 EA.
22	0017-00101-0647	BINDER HEAD SCREW	.20 EA.
23	0518-00715	CONTACT ARM PIN	.40 EA.
24	0017-00100-0025	E – RING	.20 EA.
25	0017-00042-0001	1/8" CLAMP	.20 EA.
26	0535-00149	PAPER INSULATOR	.20 EA.
27	0010-00140	SPRING	.20 EA.
28	0017-00100-0025	E – RING	.20 EA.
29	0017-00104-0063	SPRING WASHER	.20 EA.
30	0518-00122	SOLENOID BRACKET ASSY.	4.20 EA.
31	G010-00023-1300	COIL SOLENOID	5.20 EA.
32	0518-00116	PIPE BRACKET ASSY.	4.20 EA.
33	0518-00123	END BRACKET	.50 EA.
34	0553-00021-0400	STYLUS ARM SWITCH ASSY.	.70 EA.
35	0017-00100-0025	E – RING	.20 EA.
36	0017-00100-0025	E – RING	.20 EA.

MIDWAY MFG. CO.

PRICES SUBJECT TO CHANGE WITHOUT NOTICE

NO. 0603 – TOP GUN – LAMP SHADE ASSY.



MIDWAY MFG. CO.

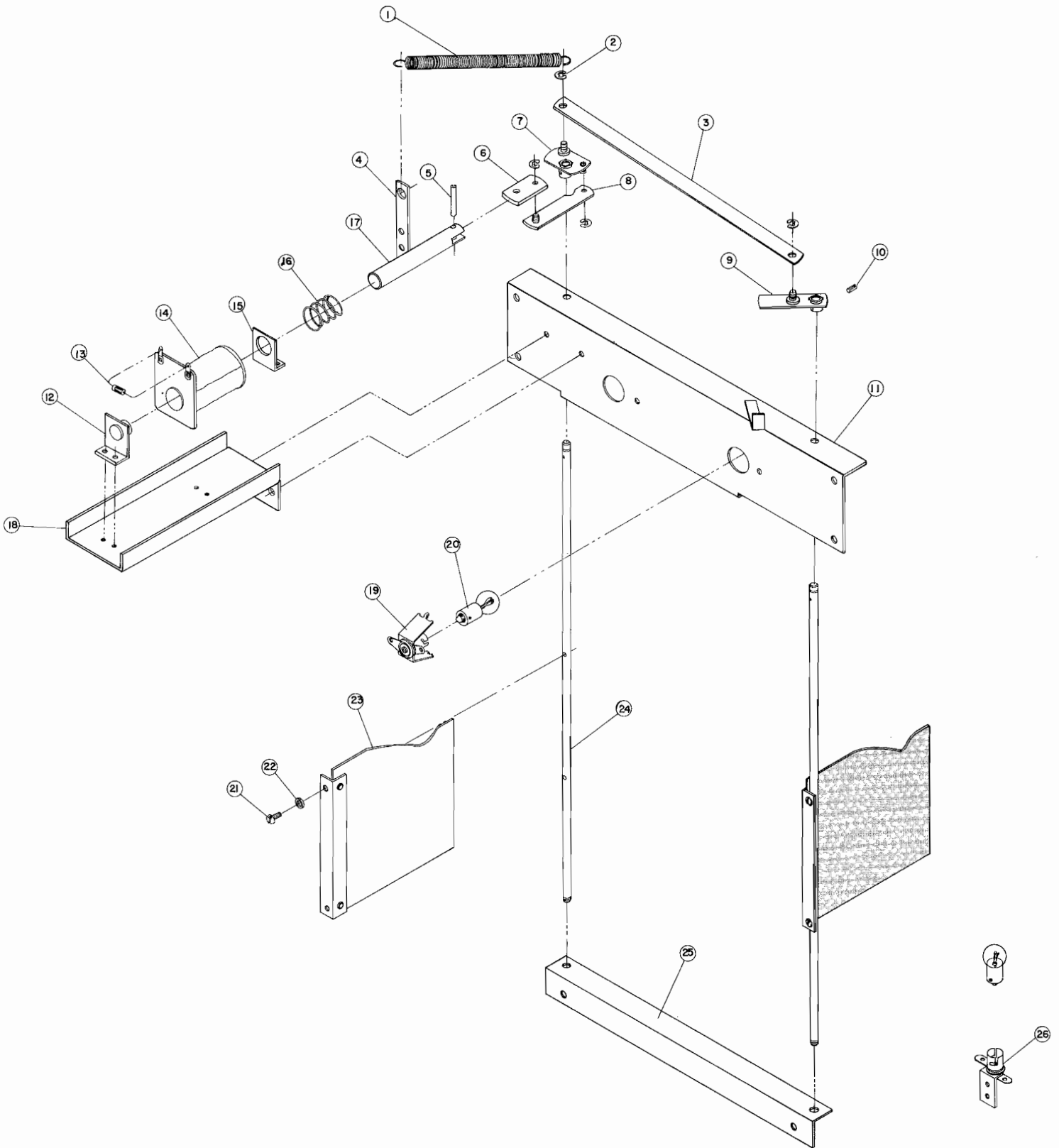
PRICE LIST*ORDER BY PART NUMBER ONLY*

ITEM	PART N^o	DESCRIPTION	PRICE
1	0603-00104	LAMP SHADE "B"	1.60 EA.
2	0603-00116	LAMP SHADE "A"	.80 EA.
3	0017-00101-0604	#8 – 32 x 3/8 EXT. SEM. R.H. M.S. (2)	.20 EA.
4	0586-00132	LAMP BRACKET	.40 EA.
5	0017-00103-0008	8 – 32 HEX NUT	.20 EA.
6	0017-00003-0135	PROJECTOR LAMP SOCKET	1.50 EA.
7	0017-00103-0009	#8 – 32 – WING NUT	.20 EA.
8	0017-00003-0170	PROJECTOR LAMP 100W CLEAR	1.10 EA.
9	0603-00103	LAMP MTG. BRACKET & SCREEN	5.50 EA.
10	0017-00003-0056	LAMP 6V	.20 EA.
11	0017-00041-0013	GROMMET	.20 EA.
12	0603-00046	LAMP BRACKET & SOCKET ASSY.	.60 EA.
	0603-00030	COMPLETE LAMP SHADE ASSY.	20.00 EA.

MIDWAY MFG. CO.

PRICES SUBJECT TO CHANGE WITHOUT NOTICE

NO. 0603 – TOP GUN – BAR ROOM DOOR ASSY.



PRICE LIST*ORDER BY PART NUMBER ONLY*

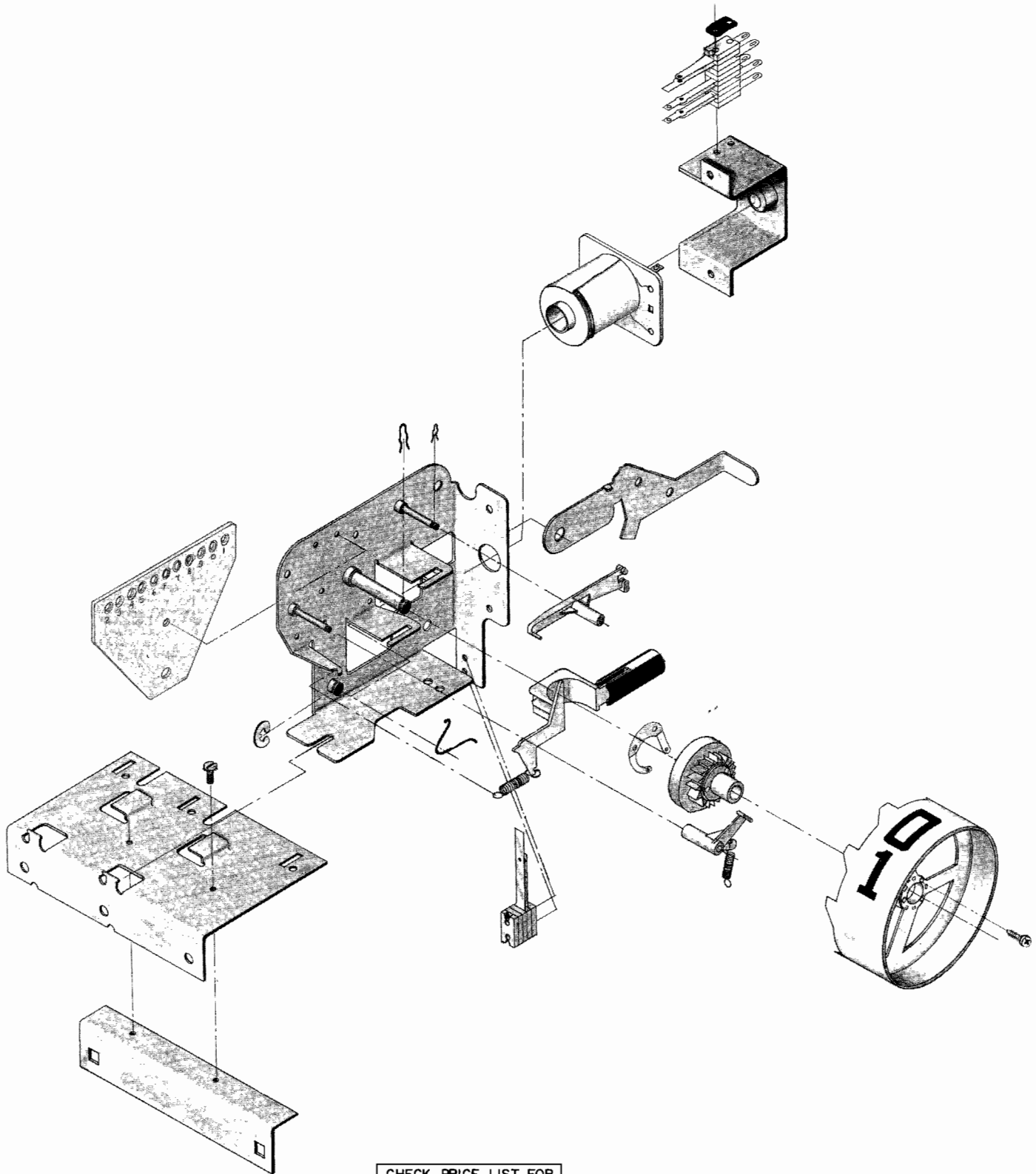
ITEM	PART NO	DESCRIPTION	PRICE
1	0010-00577	EXTENSION SPRING	.30 EA.
2	0017-00100-0018	E – RING	.20 EA.
3	0603-00109	LINK, DOOR OPENER	.40 EA.
4	0603-00132	SPRING BRACKET	.40 EA.
5	0017-00007-0073	ROLL PIN 1/8 DIA. 7/16" ROLL PIN	.20 EA.
6	0603-00117	SOLENOID LINK	.40 EA.
7	0603-00006	PIVOT BRACKET LEFT SUB. ASSY.	2.60 EA.
8	0603-00010	SOLENOID LINK ASSY.	3.10 EA.
9	0603-00007	PIVOT BRACKET RIGHT SUB. ASSY.	1.20 EA.
10	0017-00007-0061	ROLL PIN	.20 EA.
11	0603-00017	SOLENOID & DOOR SUPPORT BRACKET ASSY.	1.00 EA.
12	0022-00001	STOP BRACKET SUB. ASSY.	1.00 EA.
13	0064-030XX-XXDX	1N – 4004 DIODE	.20 EA.
14	000V-00023-0900	COIL	3.20 EA.
15	0022-0200-0003	SOLENOID COIL STOP BRACKET	.50 EA.
16	0010-00578	COMPRESSION SPRING	.20 EA.
17	0603-00702	COIL PLUNGER	.90 EA.
18	0603-00107	SOLENOID BRACKET	.90 EA.
19	0017-00031-0027	SOCKET	.40 EA.
20	0017-00003-0052	LAMP 12V (4)	.40 EA.
21	0017-00101-0694	BINDER HEAD SCREW 4 – 40 x 5/16	.20 EA.
22	0017-00104-0006	#4 WASHER	.20 EA.
23	0603-00044	BAR ROOM DOOR ASSY.	10.00 EA.
24	0603-00701	ROD	1.50 EA.
25	0603-00108	BAR ROOM DOOR SUPPORT BRACKET	.70 EA.
26	0017-00031-0011	SOCKET	.30 EA.
		<u>NOT SHOWN</u>	
	0603-00134	DOOR STOP BRACKET	.40 EA.
	0603-00130	DOOR STOP	.20 EA.
	0603-00009	PIVOT BRACKET & ROD ASSY. LEFT	4.00 EA.
	0603-00008	PIVOT BRACKET & ROD ASSY. RIGHT	2.70 EA.
	0603-00913	BAR ROOM DOOR L & R	9.20 EA.
	0603-00031	BAR ROOM DOOR ASSY. COMPLETE	36.70 EA.

MIDWAY MFG. CO.

PRICES SUBJECT TO CHANGE WITHOUT NOTICE

PAGE 11

NO. 0603 – TOP GUN – 10-90 TIME & 100 SCORE & TIME COUNTER ASSY.



CHECK PRICE LIST FOR
ADDITIONAL PARTS.

PRICE LIST

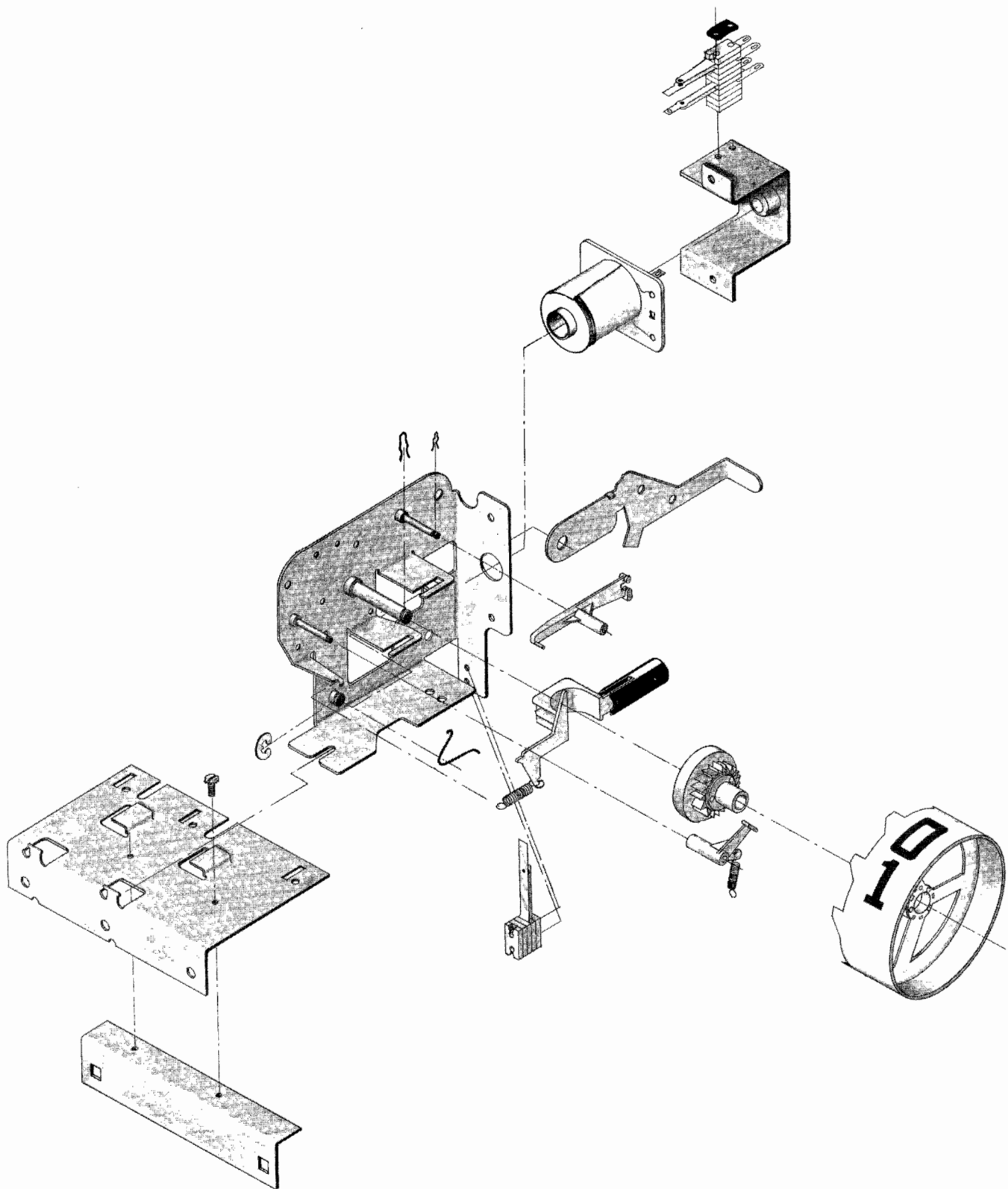
ORDER BY PART NUMBER ONLY

ITEM	PART NO	DESCRIPTION	PRICE
	0017-00009-0281	3" COUNTER ASSY. (10-90 SCORE)	20.20 EA.
	0017-00009-0283	3" COUNTER ASSY. (100 SCORE & TIME)	23.50 EA.

MIDWAY MFG. CO.

PRICES SUBJECT TO CHANGE WITHOUT NOTICE

NO. 0603 – TOP GUN – 1-9 TIME & 10-90 SCORE COUNTER ASSYS.



CHECK PRICE LIST FOR
ADDITIONAL PARTS.

PRICE LIST

ORDER BY PART NUMBER ONLY

ITEM	PART N ^o	DESCRIPTION	PRICE
	0017-00009-0282	3" COUNTER ASSY. (1-9 TIME)	21.00 EA.
	0017-00009-0281	3" COUNTER ASSY. (10-90 SCORE)	20.20 EA.

MIDWAY MFG. CO.

PRICES SUBJECT TO CHANGE WITHOUT NOTICE

PRICE LIST*ORDER BY PART NUMBER ONLY*

ITEM	PART NO	DESCRIPTION	PRICE
	0603-00915	PLAYFIELD SCENERY	17.20 EA.
	0017-00009-0014	SPRING BOLT (4)	1.10 EA.
	0603-00028	WATER TROUGH TARGET ASSY.	21.30 EA.
	0603-00027	BARREL TARGET ASSY.	20.00 EA.
	0603-00026	DOORWAY TARGET ASSY. <u>WATER TARGET ASSY.</u>	19.40 EA.
	0603-00018	WATER TARGET MTG. PLATE ASSY.	4.70 EA.
	0603-00021	WATER TARGET PINNING ASSY.	9.30 EA.
	0603-00713	TARGET SHAFT	1.40 EA.
	0603-00013	LEVER SUB. ASSY.	1.80 EA.
	000A-00025-1150	COIL	2.80 EA.
	0022-00200-0003	STOP BRACKET	.30 EA.
	0022-00001	STOP BRACKET SUB. ASSY.	1.00 EA.
	0512-00702	PLUNGER	1.20 EA.
	0603-00909	LINK	.20 EA.
	0017-00007-0079	ROLL PIN	.20 EA.
	0010-00178	SPRING	.20 EA.
	0017-00100-0018	"E" RING	.20 EA.
	0603-00905	WATER TARGET	3.60 EA.
	0603-00142	WATER TARGET STIFENER	.20 EA.
	0603-00911	DAMPENER <u>DOOR TARGET ASSY.</u>	.20 EA.
	0603-00016	DOOR TARGET MTG. PLATE SUB. ASSY.	4.40 EA.
	0603-00019	DOOR TARGET PINNING ASSY.	7.60 EA.
	0603-00710	TARGET SHAFT	1.20 EA.
	0603-00013	LEVER SUB. ASSY.	1.80 EA.
	000A-00025-1150	COIL "A" TYPE	2.80 EA.
	0022-00200-0003	STOP BRACKET	.30 EA.
	0022-00001	STOP BRACKET ASSY.	1.00 EA.
	0512-00702	PLUNGER	1.20 EA.
	0603-00909	LINK	.20 EA.
	0017-00007-0079	ROLL PIN 1/8 x 1" LG.	.20 EA.
	0010-00178	SPRING	.20 EA.
	0017-00100-0018	"E" RING	.20 EA.
	0603-00903-0100	DOORWAY TARGET	3.60 EA.
	0603-00911	DAMPENER	.20 EA.

MIDWAY MFG. CO.

PRICE LIST*ORDER BY PART NUMBER ONLY*

ITEM	PART N ^o	DESCRIPTION	PRICE
		<u>BARREL TARGET ASSY.</u>	
	0603-00014	BARREL TARGET MTG. PLATE S/ASSY.	4.00 EA.
	0603-00020	BARREL TARGET PINNING ASSY.	8.20 EA.
	0603-00710	TARGET SHAFT	1.20 EA.
	0603-00013	LEVER SUB. ASSY.	1.80 EA.
	000A-00025-1150	COIL	2.80 EA.
	0022-00200-0003	STOP BRACKET	.30 EA.
	0022-00001	STOP BRACKET ASSY.	1.00 EA.
	0512-00702	PLUNGER	1.20 EA.
	0603-00909	LINK	.20 EA.
	0017-00007-0079	ROLL PIN 1/8 x 1" LNG.	.20 EA.
	0010-00178	SPRING	.20 EA.
	0017-00100-0018	"E" RING	.20 EA.
	0603-00903-0200	BARRELL TARGET	3.60 EA.
	0603-00911	DAMPENER	.20 EA.
		<u>CONTACT ARM ASSY.</u>	
	0603-00123	CONTACT ARM	.60 EA.
	0538-00132-0001	CLEVIS	1.40 EA.
	0017-00006-0005	BUSHING	.60 EA.
	0017-00071-0024	EYELET	.20 EA.
	0017-00072-0034	RIVET	.20 EA.
	0568-00155	SW. BRACKET	.40 EA.
	0603-00015	CONTACT ARM ASSY. (COMPLETE)	5.00 EA.
		<u>RIVET BOARD STYLUS HARDWARE</u>	
	0603-00025	RIVET BOARD PLATE ASSY.	6.80 EA.
	0540-00138-0014	(CABLE PROTECTOR)-(SUPPORT BAR PROTECTOR)	.70 EA.
	0603-00912	RIVET BOARD	1.80 EA.
	0603-00045	RIVET BOARD ASSY.	2.00 EA.
		<u>BACKGROUND SCENERY BD ASSY.</u>	
	0603-00910-0100	(LEFT) BUTYRATE WINDOW TARGETS	5.20 EA.
	0603-00910-0200	(RIGHT) BUTYRATE WINDOW TARGETS	5.20 EA.
	0603-00032	CARD & HIT INDICATOR ASSY.	21.00 EA.
	0603-00916	LITE SHIELD (2)	.40 EA.
		<u>FINAL ASSY.</u>	
	0603-00140	PLEX SUPPORT BRACKET (FOREIGN)	.40 EA.

MIDWAY MFG. CO.

PRICES SUBJECT TO CHANGE WITHOUT NOTICE

PAGE 17

PRICE LIST*ORDER BY PART NUMBER ONLY*

ITEM	PART N ^o	DESCRIPTION	PRICE
	0603-00914-0100	PLEX SCORE (FOREIGN)	45.60 EA.
	0603-00901	SIDE SCENERY – LEFT	4.60 EA.
	0603-00902	SIDE SCENERY – RIGHT	4.60 EA.
	0603-00914	SCORE GLASS	32.60 EA.
	0603-00906	MIRROR 26 1/4 x 17 1/16 x 1/4	22.40 EA.
	0537-00903-0028	CYCOLAC GLASS EDGING 26 3/16	.50 EA.
	0537-00903-0027	CYCOLAC GLASS EDGING 20 13/16 (2)	.80 EA.
	0017-00102-0048	LEG LEVELERS (4)	.50 EA.
	0017-00103-0026	LEG LEVELER NUTS 3/8 - 16 (4)	.20 EA.
	0603-00139	FISHPAPER CABLE STRAPS (6)	.20 EA.
	0090-00020-02BR	FRONT DOOR ASSY.	104.00 EA.
	0090-00002-02BR	FRONT DOOR FRAME	7.80 EA.
	0572-00103	VENT GRILL	1.20 EA.
	0547-00035	SPEAKER BEZEL	2.00 EA.
	0017-00003-0161	4" SPEAKER	6.00 EA.
	0549-00128	SPEAKER GRILL	.70 EA.
	0017-00041-0576	SPEAKER GASKET	.20 EA.
	0017-00003-0102	COUNTER	9.00 EA.
	0537-00138-0001	26" GLASS LIFT CHANNEL	2.60 EA.
	0014-00101	DOOR LOCK PLATE	.40 EA.
	0017-00005-0051	LOCK PLATE	.40 EA.
	0017-00005-0046	LOCKS (1350)	3.40 EA.
	0017-00009-0033	CLAMP (2)	1.20 EA.
	0603-00131	STRIKE (2)	.40 EA.
	0603-00037	FLOURESCENT REFLECTOR ASSY. COMPLETE W/O BL-BULB	20.00 EA.
	0017-00003-0110	24" FLOURESCENT LAMP (F20T12-BL)	7.00 EA.
	0603-00133	FLOURESCENT BRACKET	2.60 EA.
	0548-00137	FLOURESCENT HOLDER BRACKET	.40 EA.
	0017-00003-0019	FLOURESCENT STARTER	.20 EA.
	0017-00021-0079	FLOURESCENT STARTER HOLDER	2.00 EA.
	0017-00003-0026	BALLAST	4.40 EA.
	0017-00031-0015	FLOURESCENT LAMP SOCKETS	.60 EA.
	0017-00041-0013	GROMMET	.20 EA.

MIDWAY MFG. CO.

PRICE LIST*ORDER BY PART NUMBER ONLY*

ITEM	PART N^o	DESCRIPTION	PRICE
	0549-00141	GLASS LOCK BRACKETS	1.30 EA.
	0017-00009-0009	TURN BUTTON	.20 EA.
	0566-00120	COIN BOX	6.00 EA.
	0566-00121	COIN BOX COVER	2.20 EA.
	0601-00010	CASH BOX LOCK BRACKET	1.40 EA.
	0017-00101-0576	CARRIAGE BOLTS	.20 EA.
	0017-00031-0002	SOCKETS	.20 EA.
	0017-00003-0052	LAMPS #1895	.40 EA.
	0017-00009-0165	2 POSITION BRACKET	.70 EA.
	0017-00009-0167	DUMMY BRACKET	1.10 EA.
	0017-00009-0166	2 POSITION BRACKET	.60 EA.
	0539-00135	BACK DOOR RETAINER	.90 EA.
	M645-00216	P.C. PROGRAM UNIT	1.00 EA.
	0603-00917	MOTOR SPEED	46.00 EA.
	0603-00918	PROGRAM TIMER	52.00 EA.
	0603-00919	SOUND AMPLIFIER BRD.	72.00 EA.

MIDWAY MFG. CO.

PRICES SUBJECT TO CHANGE WITHOUT NOTICE

NOTES

This space is provided for personal notes