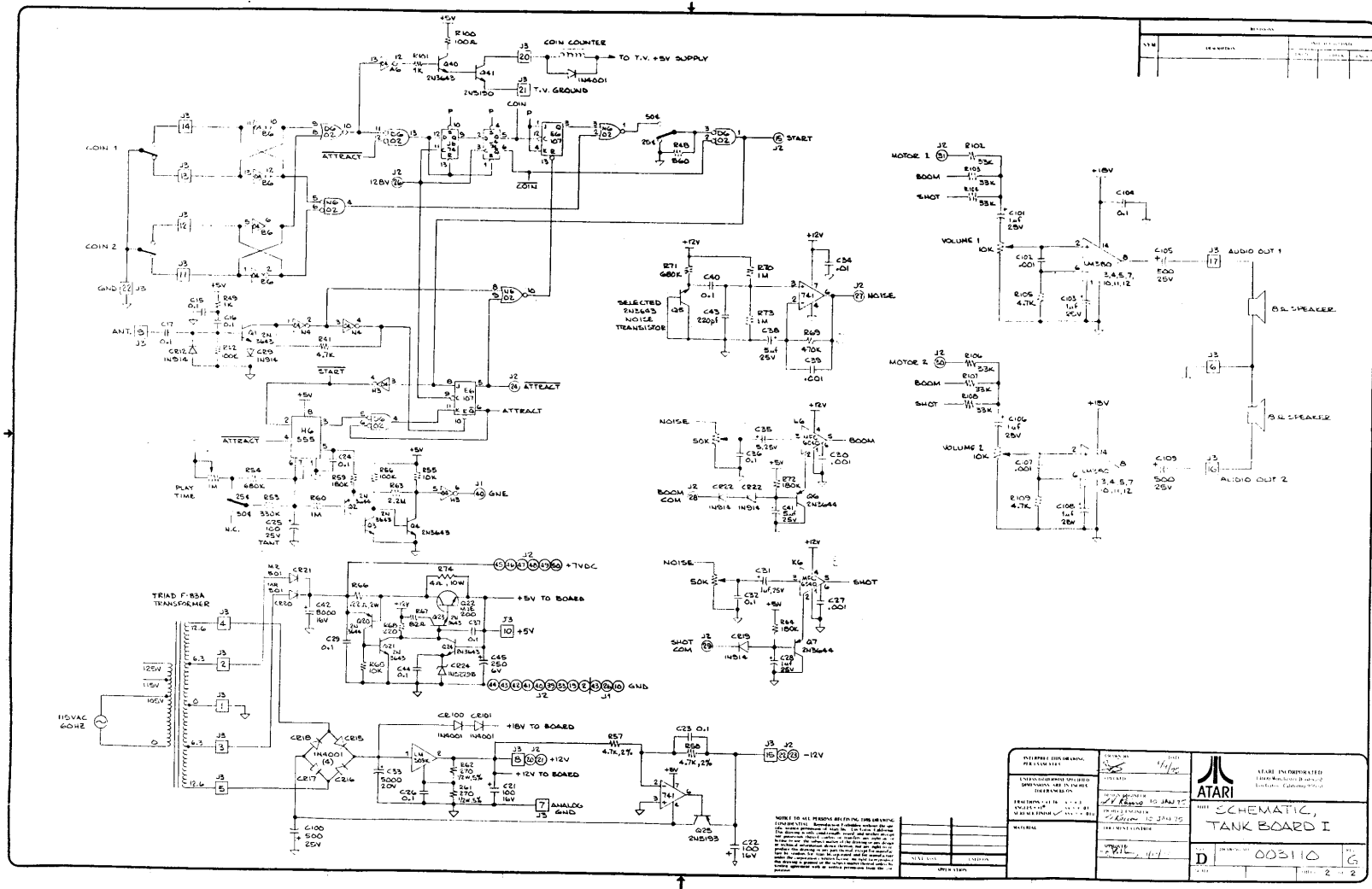



NOTES FOR ALL PERSONS RELYING UPON THIS SCHEMATIC:  
 1. THIS SCHEMATIC IS THE PROPERTY OF ATARI INC. AND IS TO BE KEPT CONFIDENTIAL.  
 2. ANY REPRODUCTION OR DISSEMINATION OF THIS SCHEMATIC WITHOUT THE WRITTEN PERMISSION OF ATARI INC. IS STRICTLY PROHIBITED.  
 3. ATARI INC. ASSUMES NO LIABILITY FOR ANY DAMAGE OR LOSS OF DATA ARISING FROM THE USE OF THIS SCHEMATIC.

|   |  |
|---|--|
| CHECKED FOR CORRECTNESS<br>BY: [Signature]<br>DATE: 1/10/82 | ATARI INCORPORATED<br>1355 AVENUE OF THE STARS<br>BERKELEY, CALIFORNIA 94704 |
| TITLE: SCHEMATIC,<br>TANK BOARD I                           | DATE: 1/10/82  |
| PART NUMBER: 003110   | REV: 1   |



|  |  |  |
|--|--|--|
| INTERPRET ENGINEERING<br>1405 S. GARDEN AVENUE<br>SUITE 100<br>ANAHEIM, CALIF. 92805<br>(714) 771-1111 | DATE: 11/15/77<br>DRAWN BY: J. WIL<br>CHECKED BY: J. WIL<br>APPROVED BY: J. WIL<br>PROJECT: TANK BOARD I |  MADE IN MICHIGAN<br>INTERNATIONAL BUSINESS MACHINES CORPORATION<br>ATARI DIVISION<br><b>SCHEMATIC,</b><br><b>TANK BOARD I</b><br>PART NO. 003110<br>REV. 2 |
|--|--|--|

NOTE TO THE REPAIR PERSONNEL: THIS BOARD IS A REPAIRABLE BOARD. IT IS NOT A DISPOSABLE BOARD. IF YOU ARE A REPAIR PERSONNEL, YOU SHOULD BE AWARE OF THE FACT THAT THIS BOARD IS A REPAIRABLE BOARD. IT IS NOT A DISPOSABLE BOARD. IF YOU ARE A REPAIR PERSONNEL, YOU SHOULD BE AWARE OF THE FACT THAT THIS BOARD IS A REPAIRABLE BOARD. IT IS NOT A DISPOSABLE BOARD.