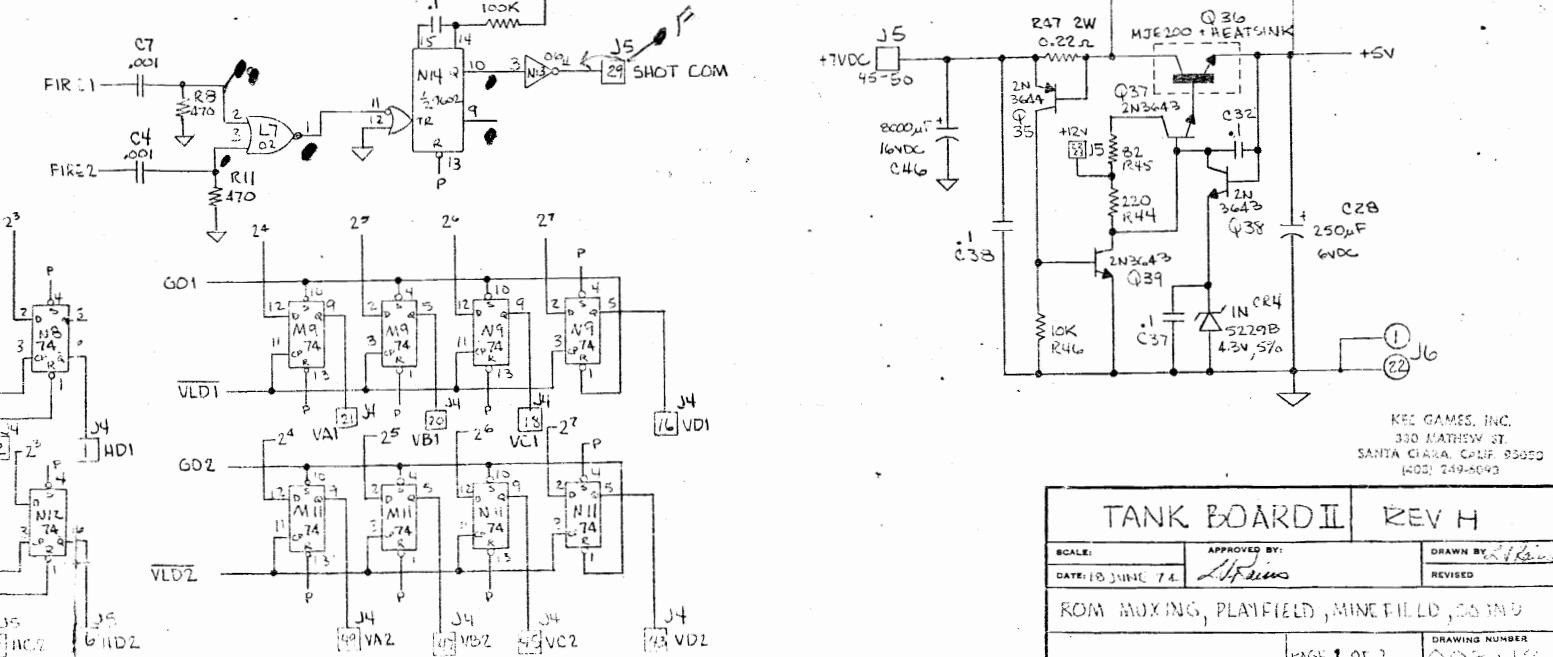
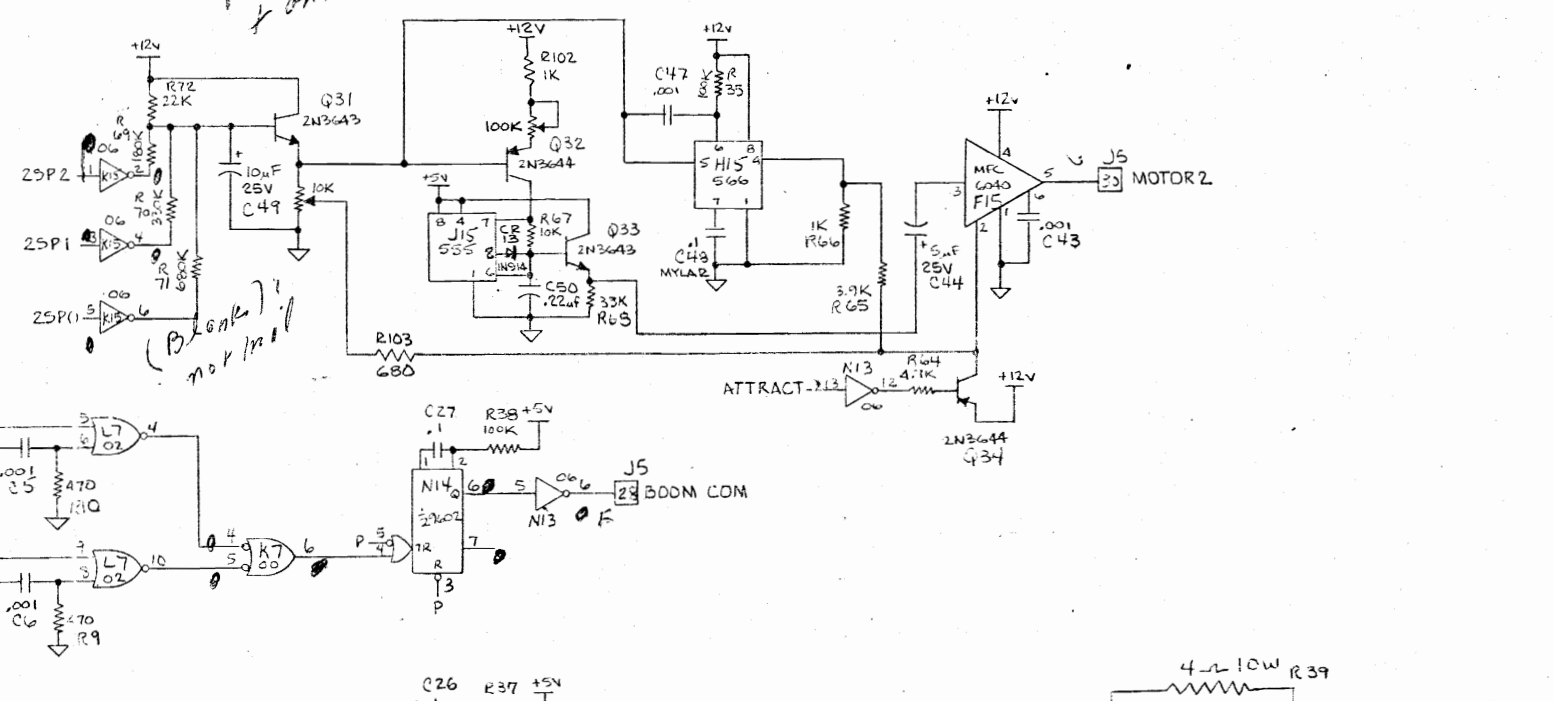
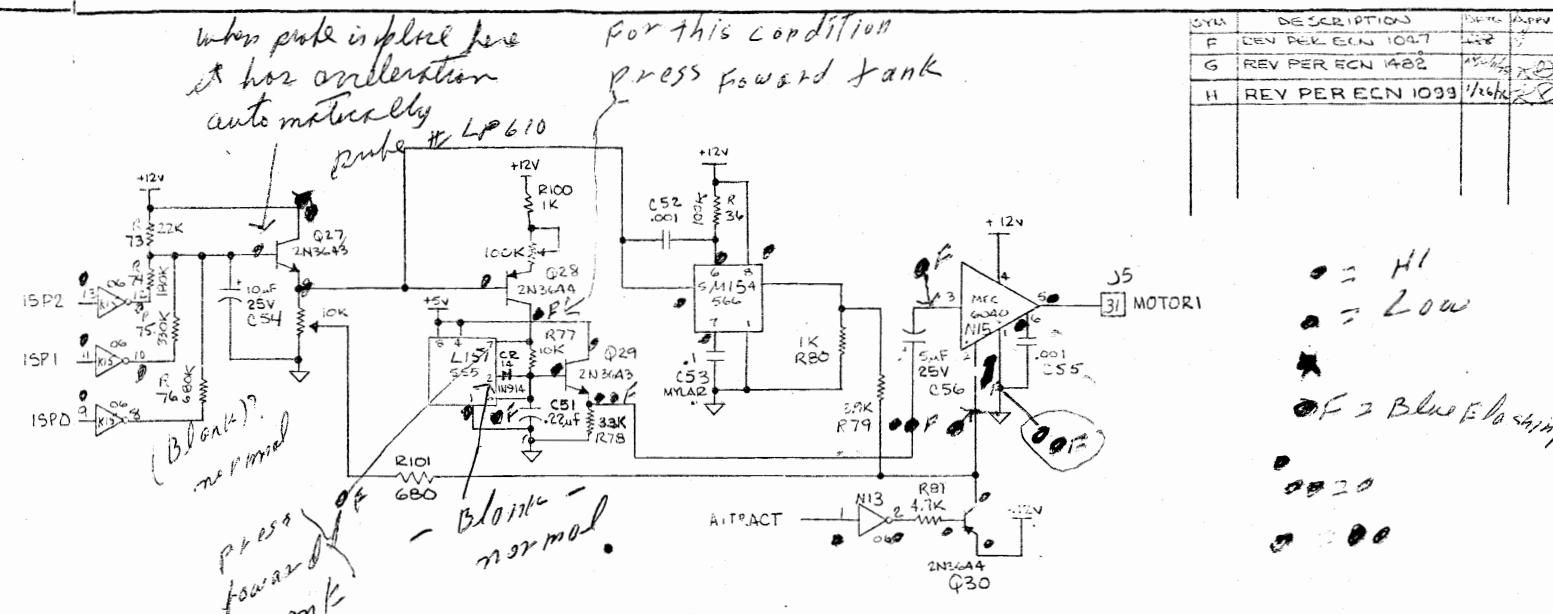
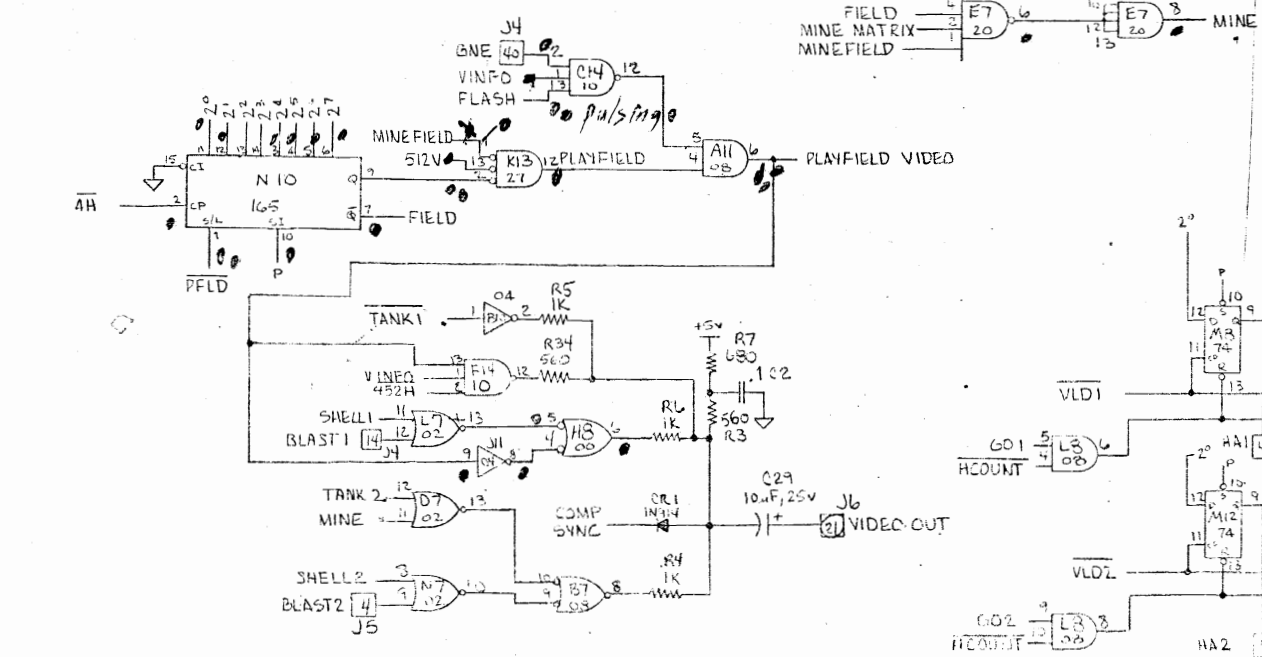
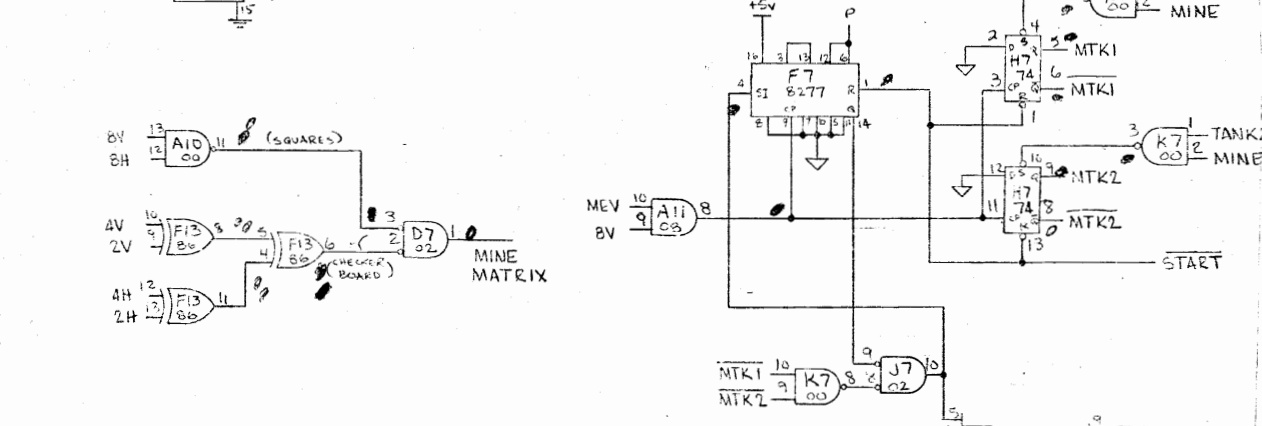
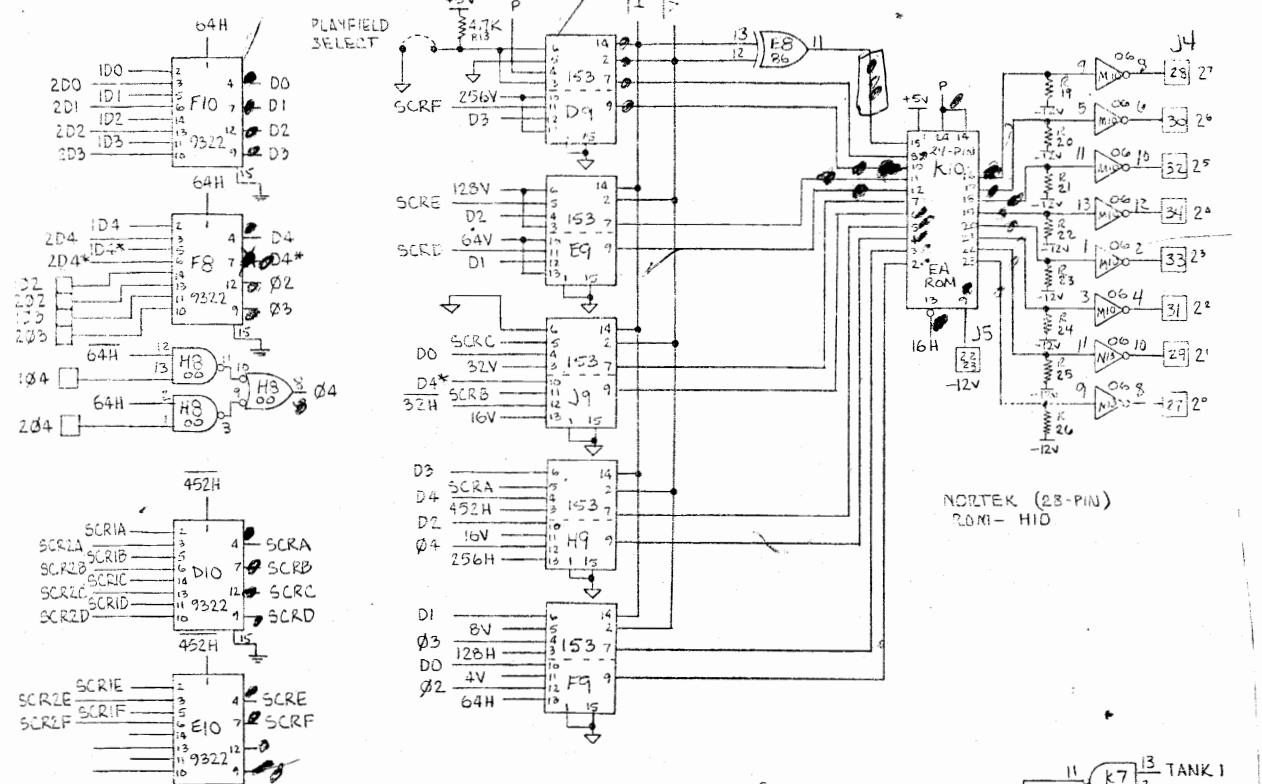


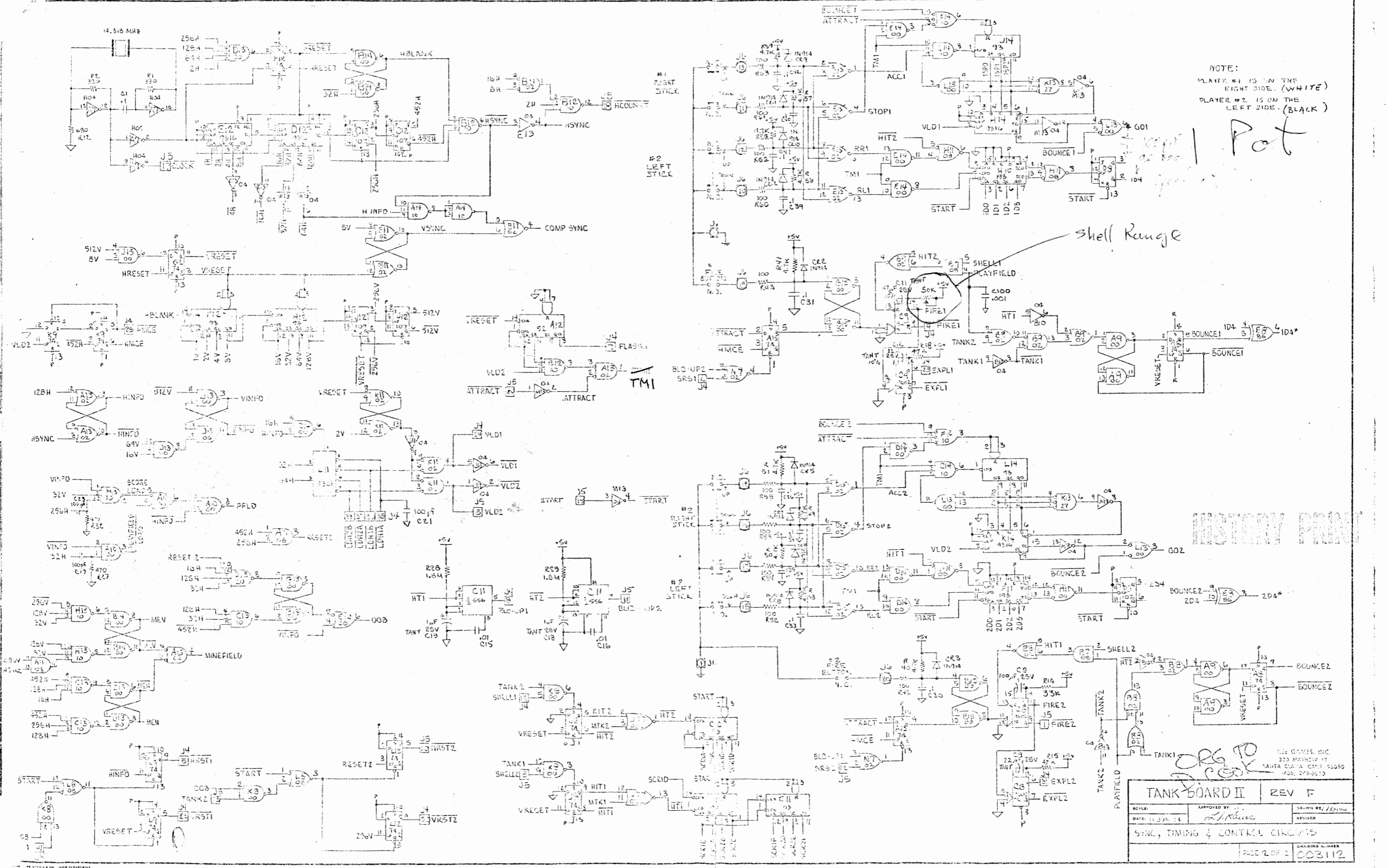
SYN	DESCRIPTION	DATE	BY
F	GEN REL ECN 1027	1/28	
G	REV PER ECN 1482	1/28	
H	REV PER ECN 1039	1/26/76	



● = HI
 ● = Low
 ● of 2 Blue Flashes
 ● ● ●
 ● ● ●

TANK BOARD II		REV H
SCALE:	APPROVED BY:	DRAWN BY:
DATE: 10 JUNE 74	<i>L.H. Williams</i>	<i>K. Rain</i>
ROM MIXING, PLAYFIELD, MINEFIELD, SOUND		
PAGE 1 OF 2	DRAWING NUMBER	005112

KEE GAMES, INC.
 330 MATHEW ST.
 SANTA CLARA, CALIF. 95050
 (408) 249-6646



ORIG TO
COOK

TANK BOARD II		REV F
SCALE:	APPROVED BY:	DRAWN BY: J. Lewis
DATE: 11 JUN 74	<i>J. Lewis</i>	REVISOR:
SYNC, TIMING & CONTROL CIRCUITS		
PAGE 2 OF 2	DRAWING NUMBER 003112	